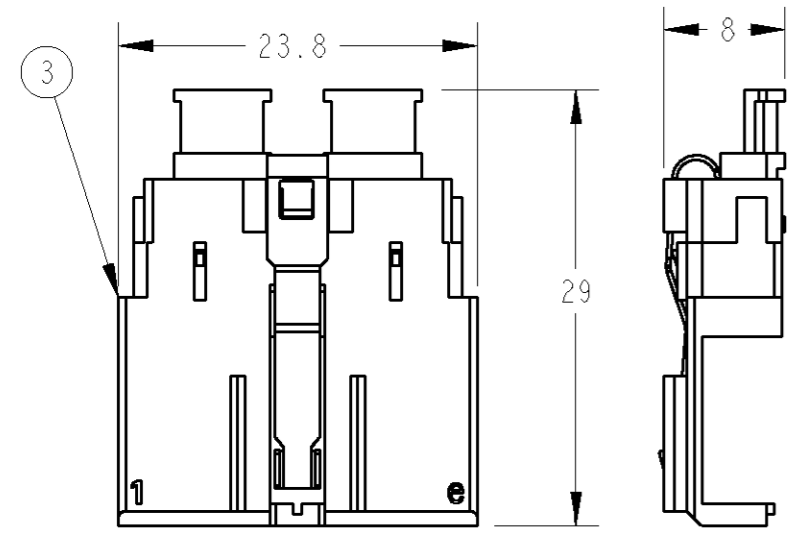
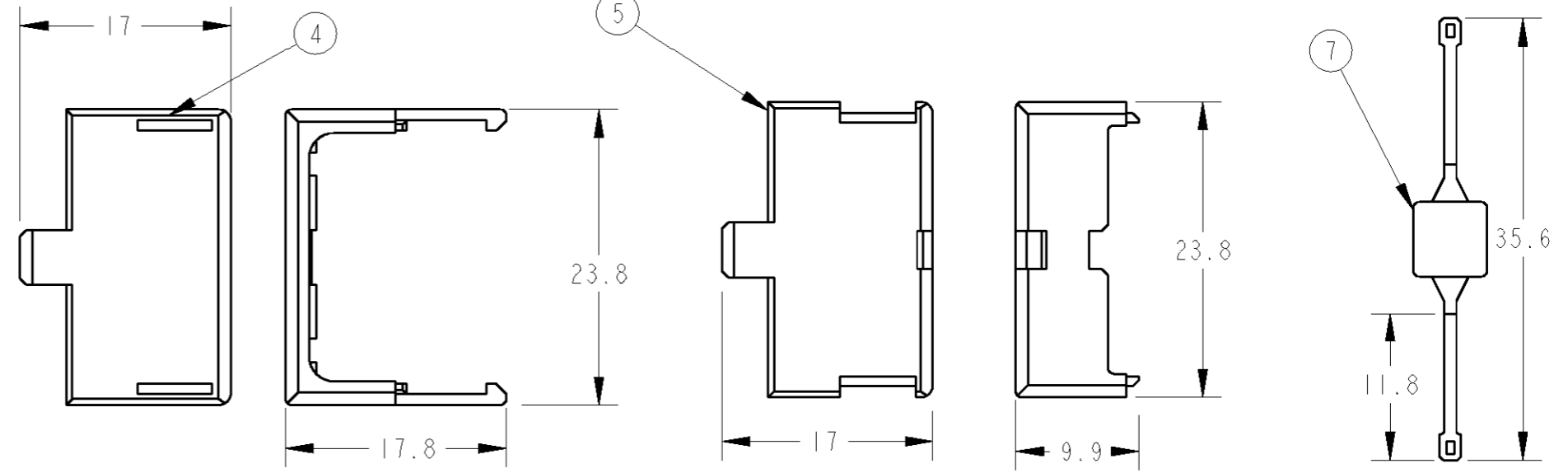
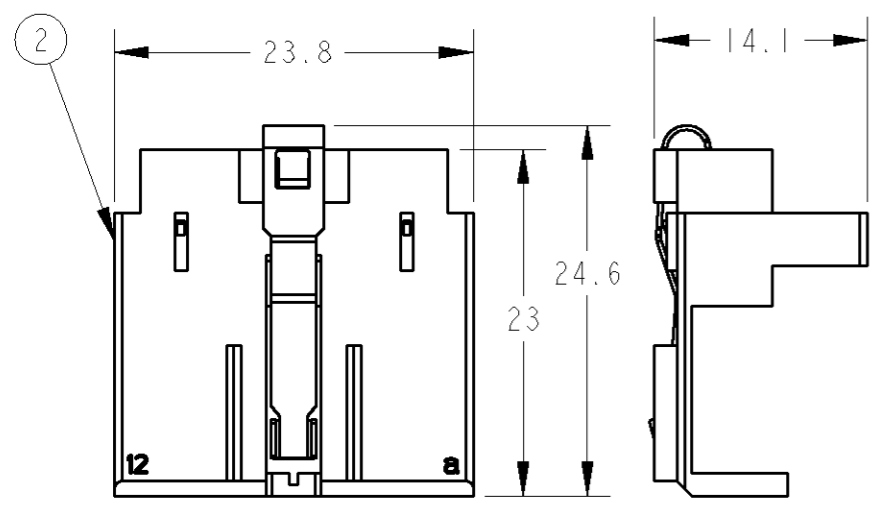
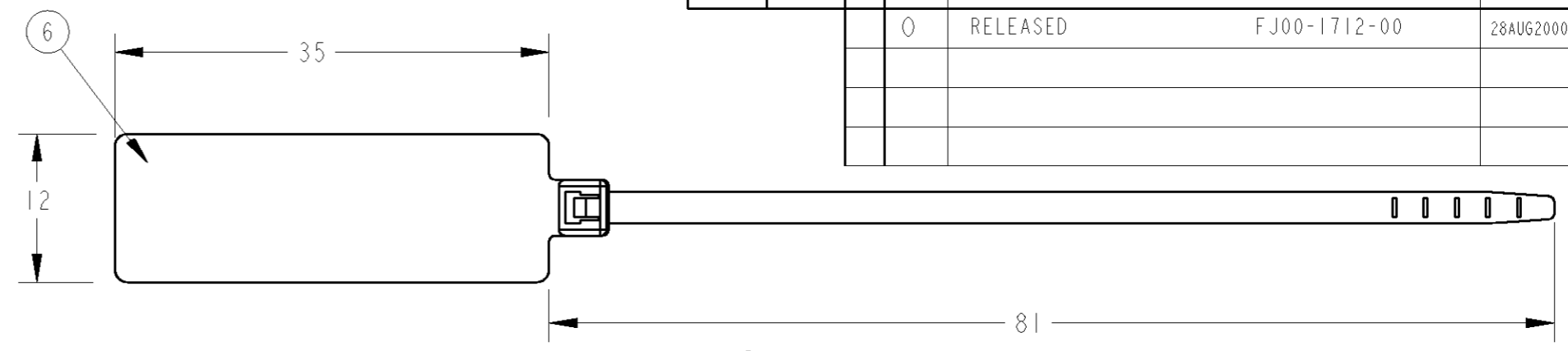
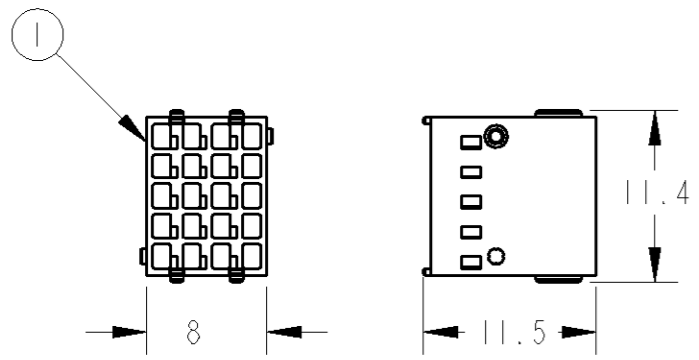


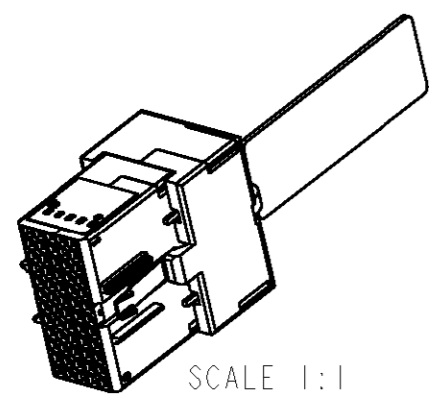
THIS DRAWING IS UNPUBLISHED. RELEASED FOR PUBLICATION 2000  
 © COPYRIGHT 2000 BY TYCO ELECTRONICS CORPORATION. ALL RIGHTS RESERVED.

| LOC | DIST | REVISIONS |     |             |              |           |         |
|-----|------|-----------|-----|-------------|--------------|-----------|---------|
| J   | -    | P         | LTR | DESCRIPTION | DATE         | DWN       | APVD    |
|     |      | 0         |     | RELEASED    | FJ00-1712-00 | 28AUG2000 | T.K K.I |



- 1. 製品は組立てずに梱包される。
  - 2. 梱包単位: 100EA
  - 3. 組立時の本体厚; 17.8mm, 本体高さ(PULL TAB部除<); 30mm
1. PARTS PACKAGED UNASSEMBLED.  
 2. PACKING UNIT: 100EA  
 3. THICKNESS; 17.8mm  
 HEIGHT(EXCEPT FOR THE PULL TAB); 30mm  
 (AFTER SET UP)

|    |                                 |   |      |
|----|---------------------------------|---|------|
| 1  | CABLE KEYING                    | 熱可塑性樹脂、ナチュラル/THERMOPLASTIC, NATURAL                                 | 7    |
| 1  | PULL TAB                        | 熱可塑性樹脂、白/THERMOPLASTIC, WHITE                                       | 6    |
| 1  | OUTER COVER BOTTOM 60P          | 熱可塑性樹脂、黒/THERMOPLASTIC, BLACK                                       | 5    |
| 1  | OUTER COVER TOP 60P             | 熱可塑性樹脂、黒/THERMOPLASTIC, BLACK                                       | 4    |
| 1  | INNER COVER SUB ASSY BOTTOM 60P | COVER: 熱可塑性樹脂、黒/THERMOPLASTIC, BLACK<br>LOCK LEVER: ステンレス/STAINLESS | 3    |
| 1  | INNER COVER SUB ASSY TOP 60P    | COVER: 熱可塑性樹脂、黒/THERMOPLASTIC, BLACK<br>LOCK LEVER: ステンレス/STAINLESS | 2    |
| 3  | RECEPTACLE HOUSING 20P          | 熱可塑性樹脂、黒/THERMOPLASTIC, BLACK                                       | 1    |
| -1 | NAME                            | MATERIAL, COLOR   | ITEM |



THIS DRAWING IS A CONTROLLED DOCUMENT FOR TYCO ELECTRONICS CORPORATION  
 IT IS SUBJECT TO CHANGE AND THE CONTROLLING ENGINEERING ORGANIZATION  
 SHOULD BE CONTACTED FOR THE LATEST REVISION.

|                            |  |   |  |
|----------------------------|--|---|--|
| DIMENSIONS:<br>単位: 概<br>mm | TOLERANCES UNLESS<br>OTHERWISE SPECIFIED:  | DWN<br>T. KATANO<br>28AUG2000                                     | Tyco Electronics AMP K.K.<br>Kawasaki, Japan |
|                            | 0-PLG 10±0.2<br>1-PLG30>10±0.25<br>2-PLG >30±0.3<br>3-PLG ±<br>4-PLG ±<br>ANGLES ±3° | CHK<br>K. IKEGAMI<br>28AUG2000<br>APVD<br>K. IKEGAMI<br>28AUG2000 |  |
| MATERIAL<br>材料             | SEE TABLE  | FINISH<br>仕上  | -  |

|                                  |                                    |
|----------------------------------|------------------------------------|
| PRODUCT SPEC<br>製品規格<br>108-5689 | NAME<br>名称<br>AMP MCC CONN. 60POS. |
| APPLICATION SPEC<br>取付適用規格<br>-  | SIZE<br>A3                         |
| WEIGHT<br>8.01g/EA               | CAGE CODE<br>00779                 |
| CUSTOMER DRAWING                 | DRAWING NO<br>C-1376246            |
| SCALE<br>尺度 2:1                  | RESTRICTED TO<br>-                 |
| SHEET<br>1                       | OF<br>1                            |
| REV<br>0                         |                                    |