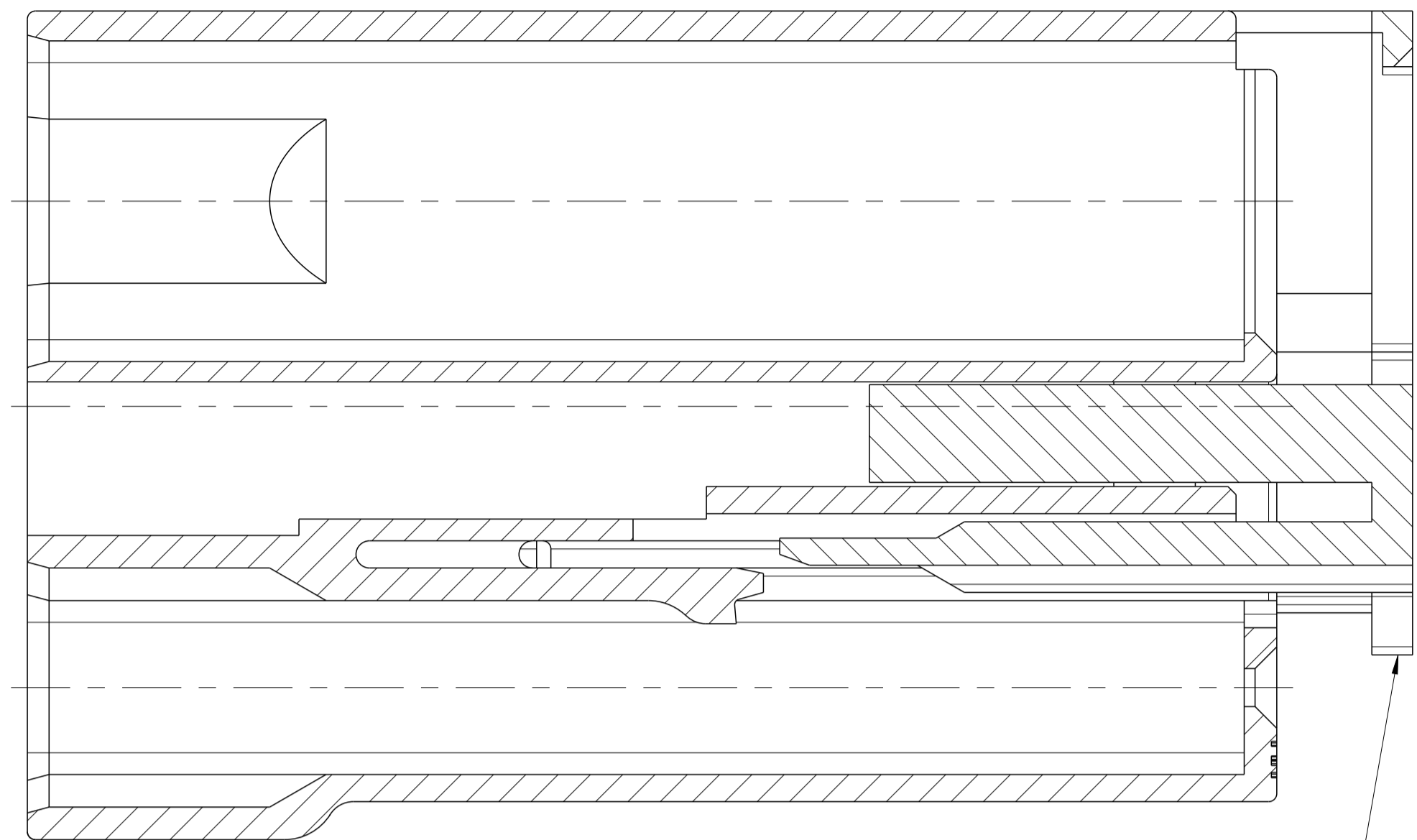
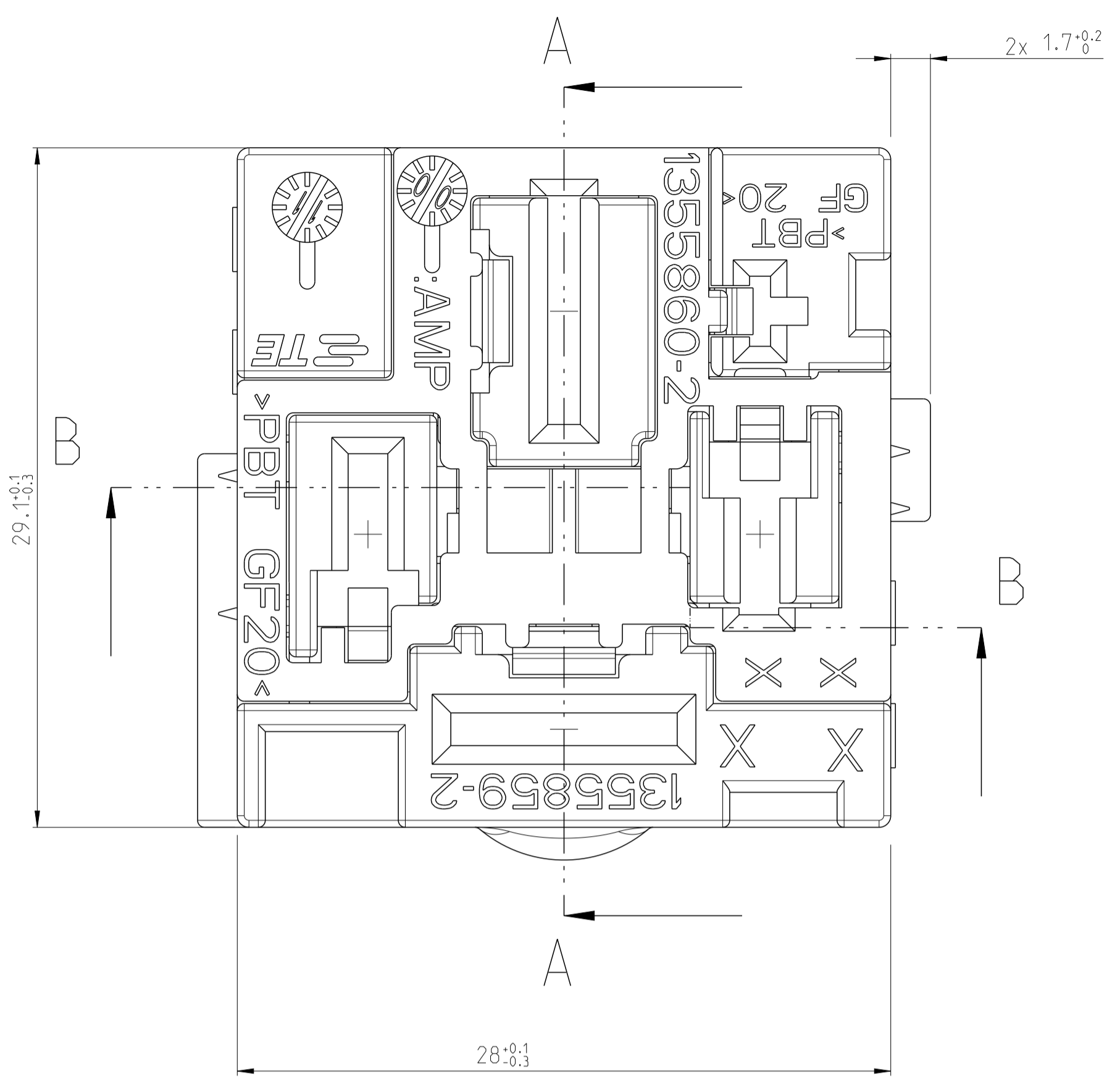
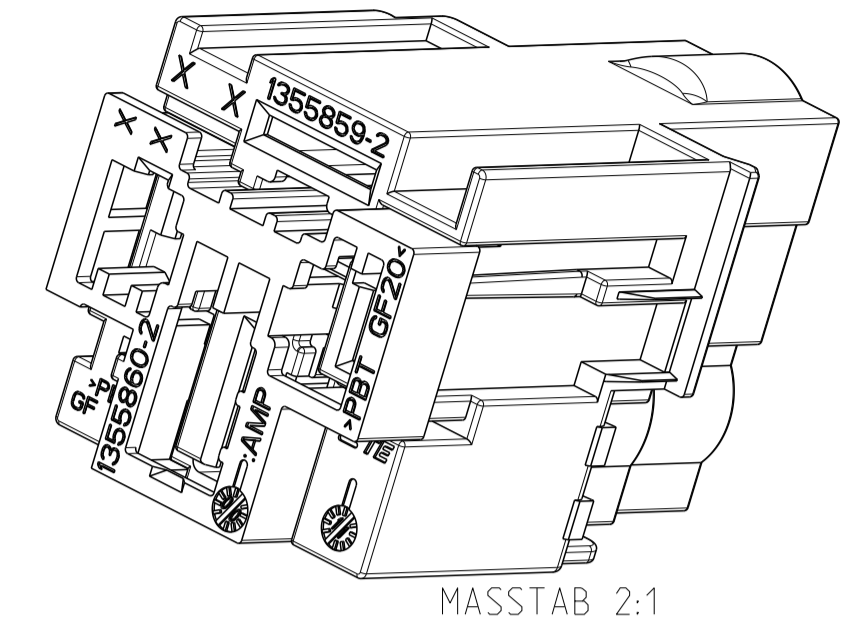


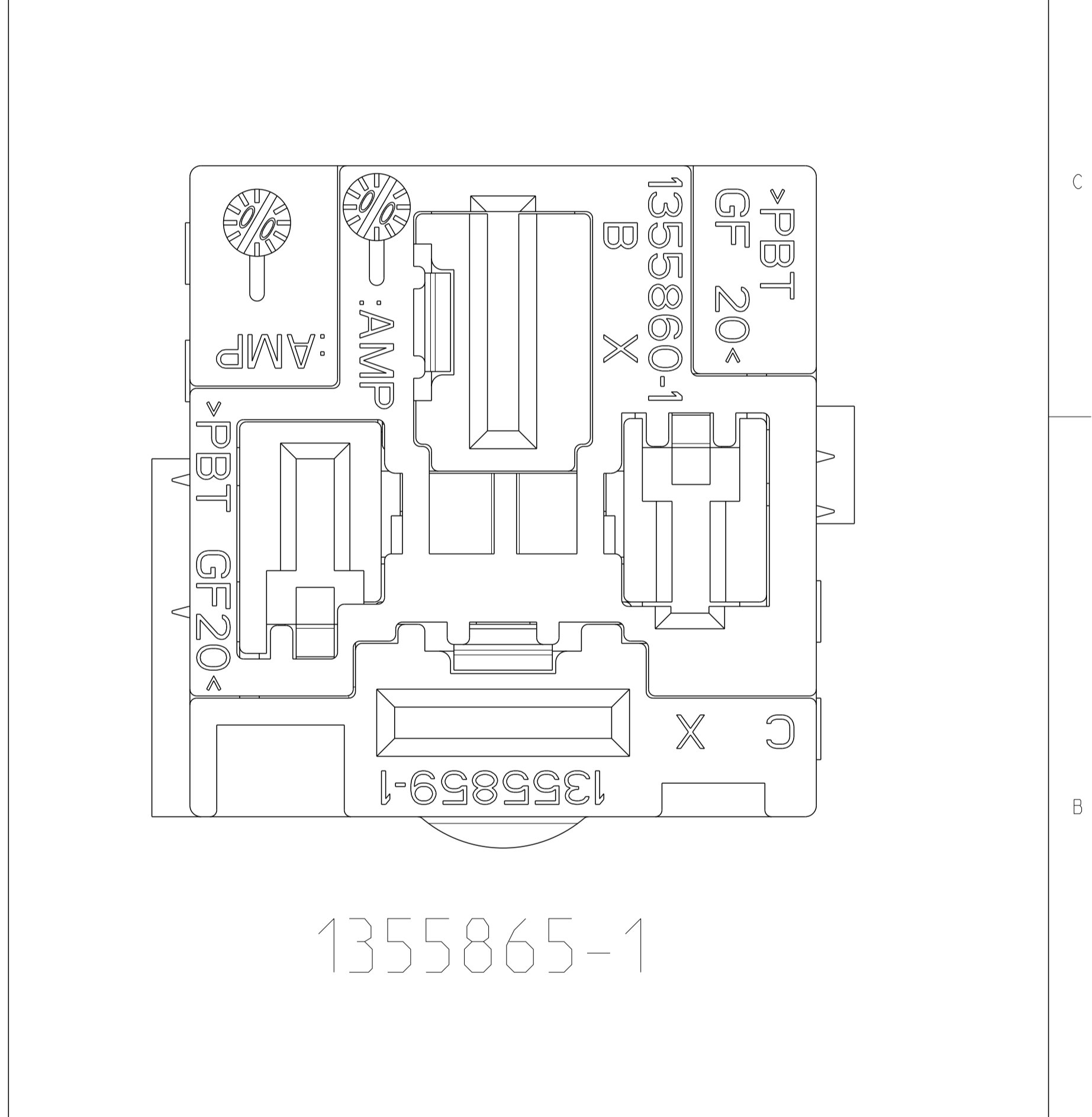
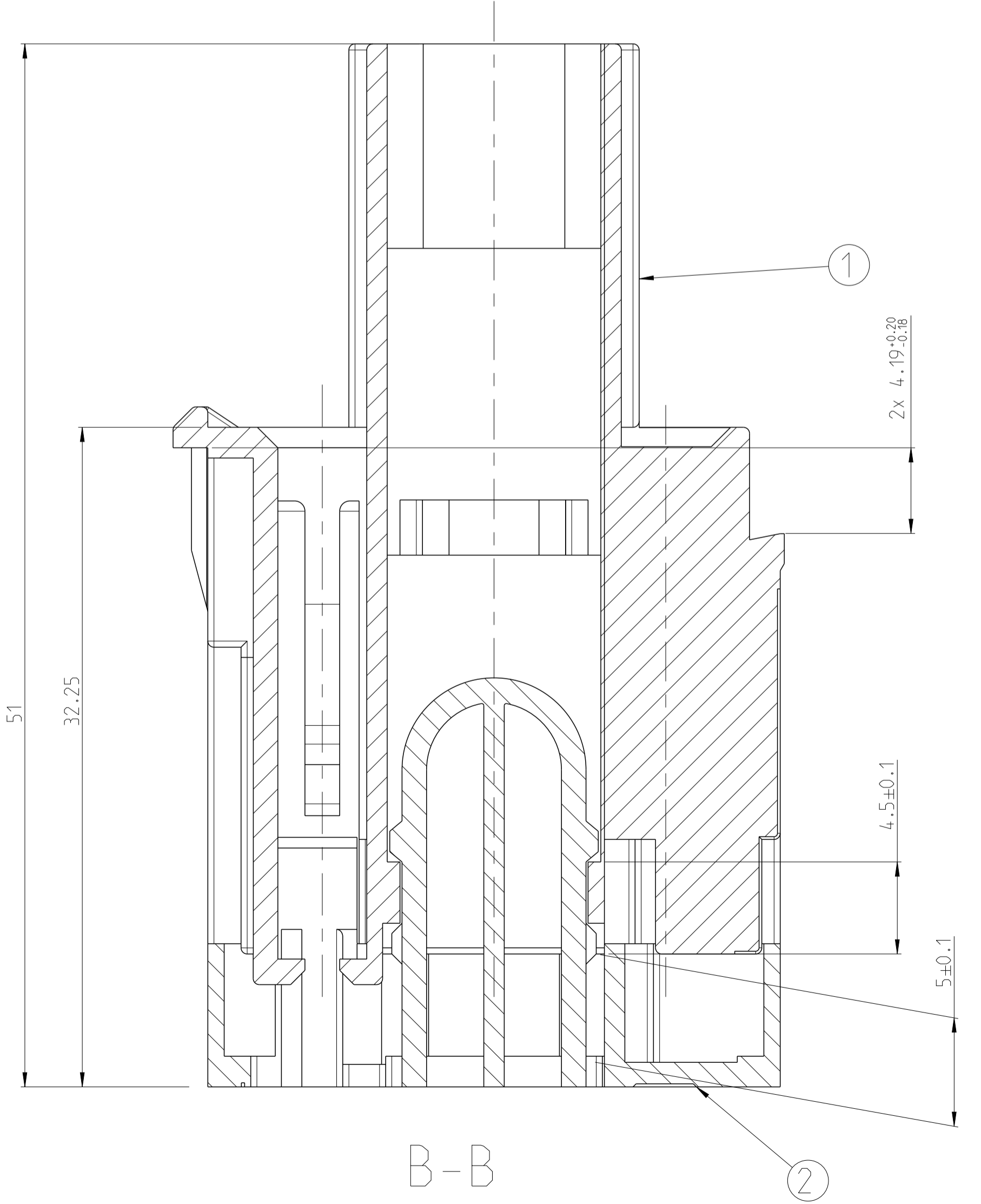
REVISIONS				
P.	LTR.	DESCRIPTION	DATE	APPROV.
C1		ECR-05-013656	16AUG2005	MT GM
C2		ECR-15-007830	3JUL2015	SRN MT



SPACER IN VORRASTSTELLUNG
 SPACER IN PRESET POSITION



MASSTAB 2:1



CUSTOMER PART NO.	AMP PART NO.	SUITABLE FOR	PCS PER ASSY	MATERIAL	COLOR	DESCRIPTION	ITEM NO.
2S6T-14A481-CB	1355865-2	-	1x	PBT - GF20	GREY	SPACER	2
2S6T-14A481-CA	1355865-1	-	1x	PBT - GF20	BLACK	INSERT MODULE	1
2S6T-14A481-CA	1355865-1	-	1x	PBT - GF20	GREY	SPACER	2
2S6T-14A481-CA	1355865-1	-	1x	PBT - GF20	BLACK	INSERT MODULE	1

(C2) OBSOLETE

THIS DRAWING IS A CONTROLLED DOCUMENT. DWG: M. DAUBER 14NOV00
 CHK: M. TRAJKOV 15NOV00
 APVD: E. MUMPER 15NOV00

DIMENSIONS: mm
 TOLERANCES UNLESS OTHERWISE SPECIFIED:
 0 PLC \pm 0.4
 1 PLC \pm 0.4
 2 PLC \pm 0.4
 3 PLC \pm 0.4
 4 PLC \pm 0.4
 ANGLES \pm 0.4

MATERIAL: - FINISH: - WEIGHT: -

CUSTOMER DRAWING

NAME: MAXI RELAY INSERT (70A) ASSY
 SIZE: A1 CAGE CODE: - DRAWING NO: C-1355865
 RESTRICTED TO: -

SCALE: 5:1 SHEET: 1 OF 1 REV: C2