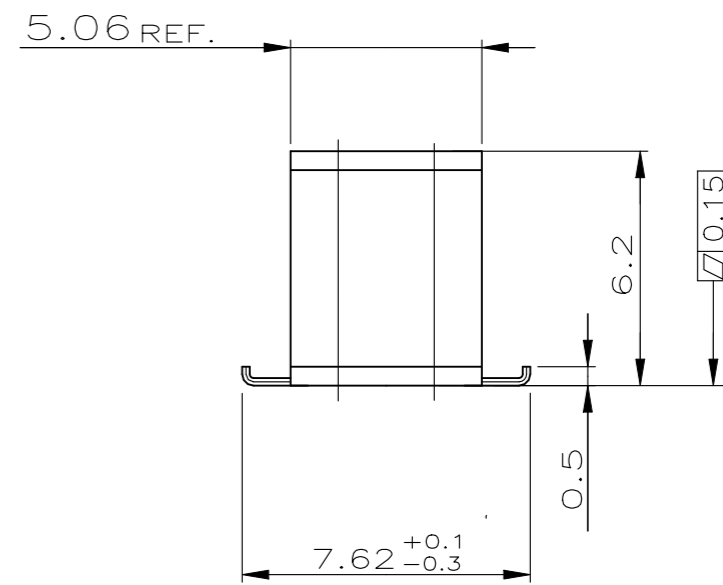
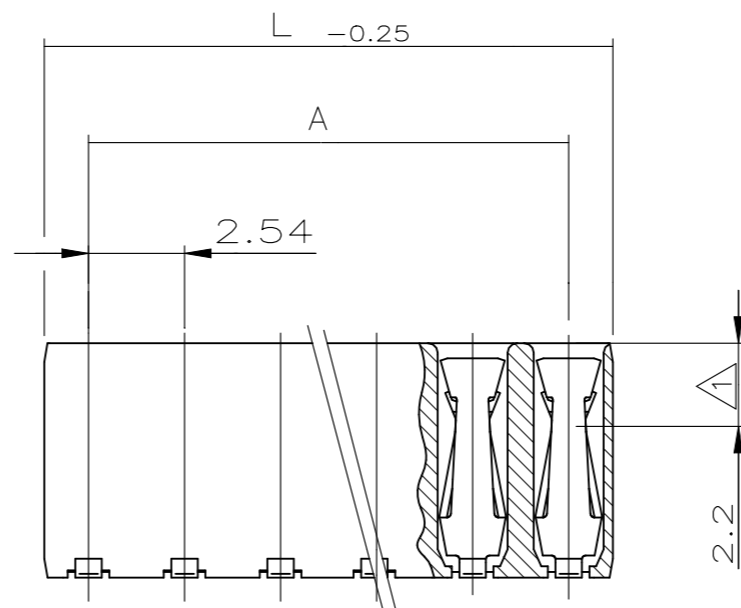
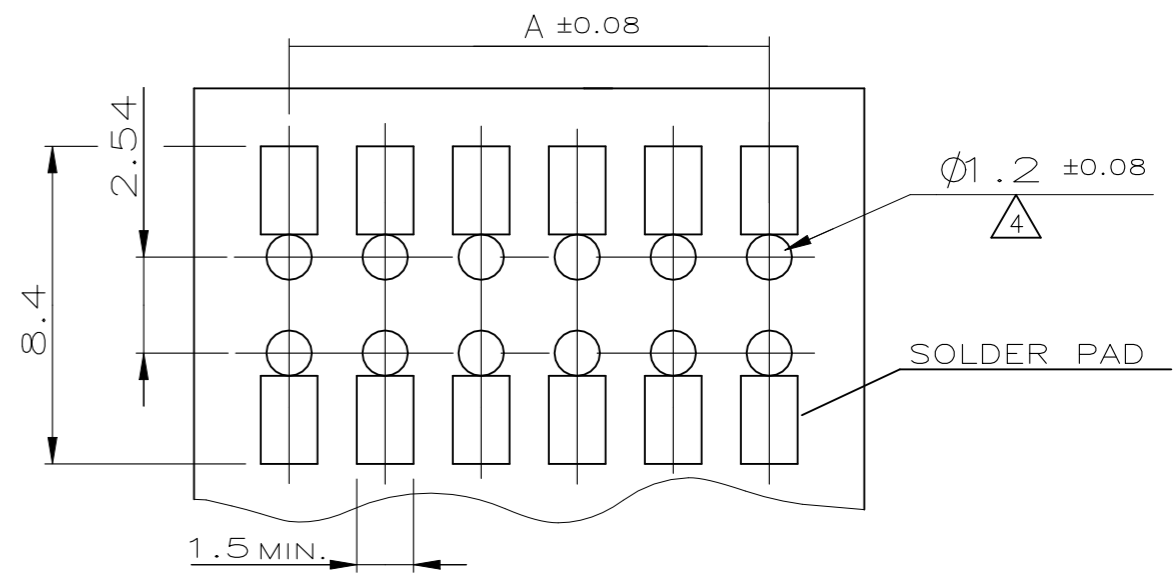
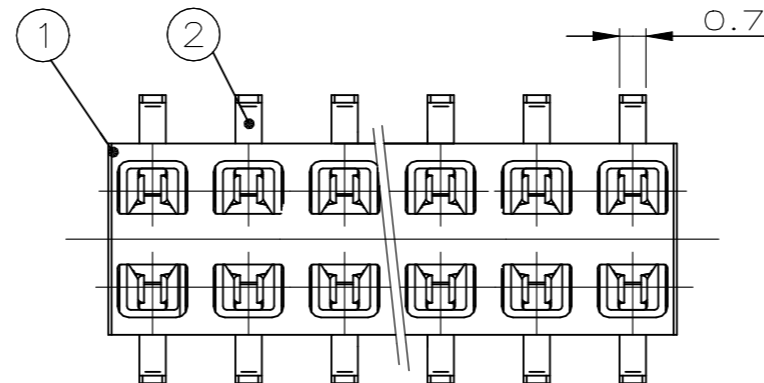


REVISIONS					
P	LTR	DESCRIPTION	DATE	DWN	APVD
	A4	DRAFTING ERROR CORRECTION	08FEB2023	AJK	SPS

POS. PER ROW	L _{-0.25}	A	PART NUMBER
3	7.42	5.08	1355347-3
4	9.96	7.62	1355347-4
5	12.50	10.16	1355347-5
6	15.04	12.70	1355347-6
7	17.58	15.24	1355347-7
8	20.12	17.78	1355347-8
9	22.66	20.32	1355347-9
10	25.20	22.86	1-1355347-0
11	27.74	25.40	1-1355347-1
12	30.28	27.94	1-1355347-2
13	32.82	30.48	1-1355347-3
14	35.36	33.02	1-1355347-4
15	37.90	35.56	1-1355347-5
16	40.44	38.10	1-1355347-6
17	42.98	40.64	1-1355347-7
18	45.52	43.18	1-1355347-8
19	48.06	45.72	1-1355347-9
20	50.60	48.26	2-1355347-0



RECOMMENDED PCB LAYOUT



NOTES:

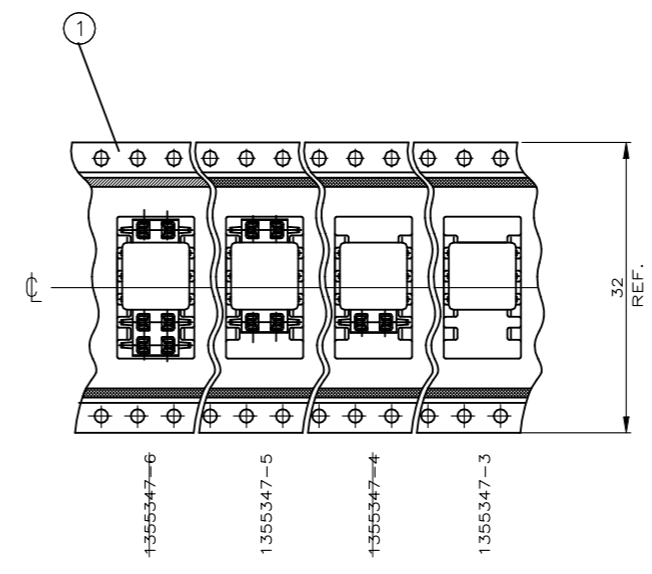
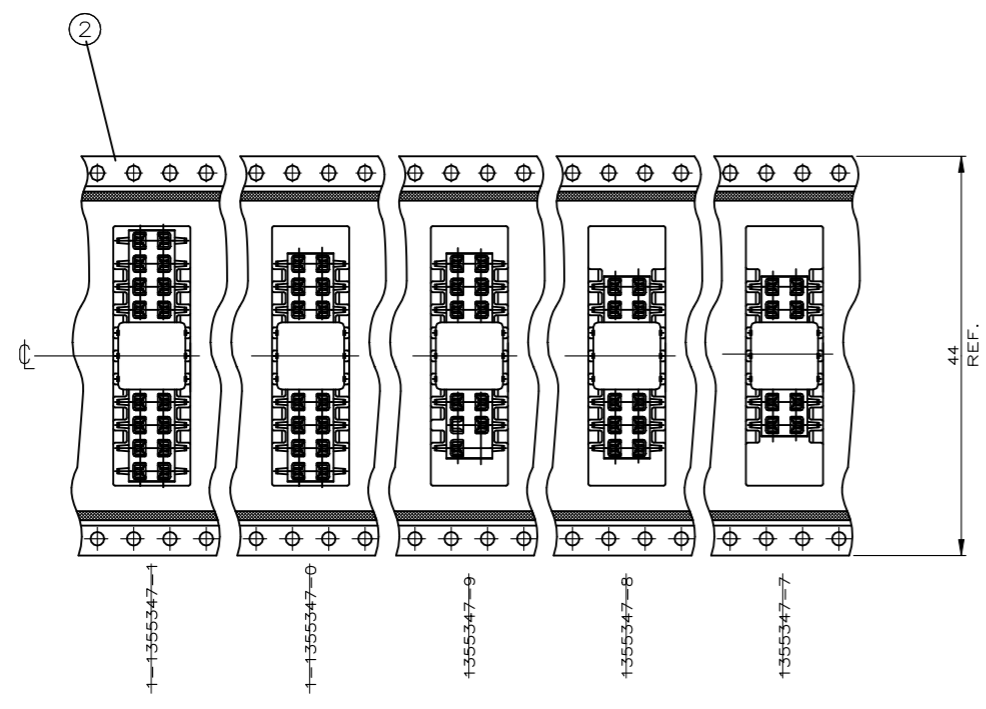
- 1 POINT OF CONTACT
- 2. MATEABLE WITH MODU II PINS $\phi 0.63$ OR $\square 0.63$ TOP OR BOTTOM ENTRY
- 3. CUTTING-AREA OF THE CONTACT PLAIN
- 4 ONLY AT BOTTOM ENTRY
- 5. RECEPTACLE CONNECTOR PACKED IN BLISTER: SEE 3 OF 3
- 6 PLATING: $2.5\mu m - 4.0\mu m$ TIN OVER $0.5 - 1.0\mu m$ Ni

THIS DRAWING IS A CONTROLLED DOCUMENT.		DWN T.BERGNER 06FEB2023	TE Connectivity	
		CHK M.SCHAARSCHMIDT 18-OCT-99		
		APVD G.FELDMEIER 18-OCT-99	NAME HV100 RECEPT.CONNECTOR,DUAL ROW, SMD,PACKED IN BLISTER,TIN VERSION	
DIMENSIONS: mm		TOLERANCES UNLESS OTHERWISE SPECIFIED:	PRODUCT SPEC	
		0 PLC ± 0.2 1 PLC ± 0.1 2 PLC ± 0.1 3 PLC ± - 4 PLC ± - ANGLES ± 3°	APPLICATION SPEC	
MATERIAL SEE TABLE		FINISH SEE TABLE	WEIGHT -	
SEE TABLE	2	HV100 CONTACT	CuSn	6 TINNED
SEE TABLE	1	HV100 HOUSING	LCP	BLACK
ORDER NO	ITEM NO.	WORDING ITEM	MATERIAL	SURFACE COLOR
CUSTOMER DRAWING		SCALE 5:1	SHEET 1 OF 3	REV A4

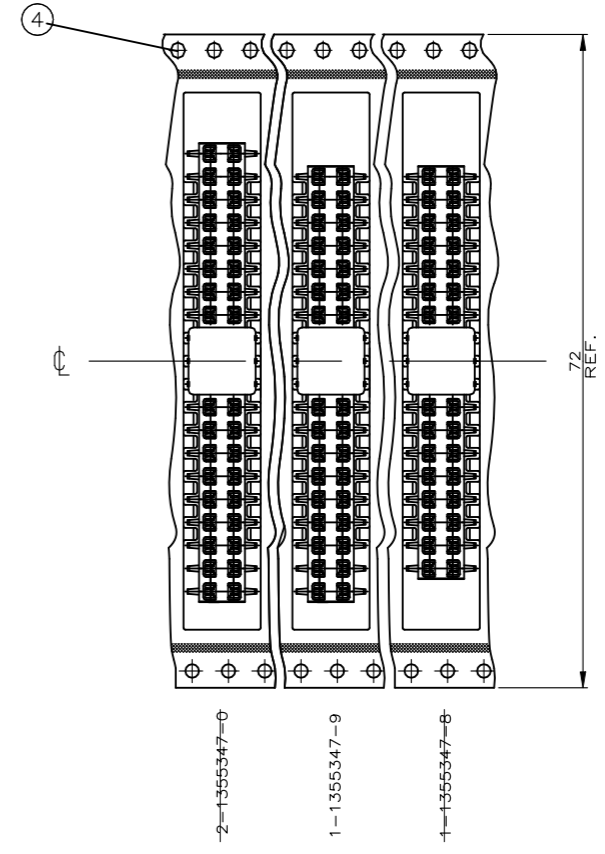
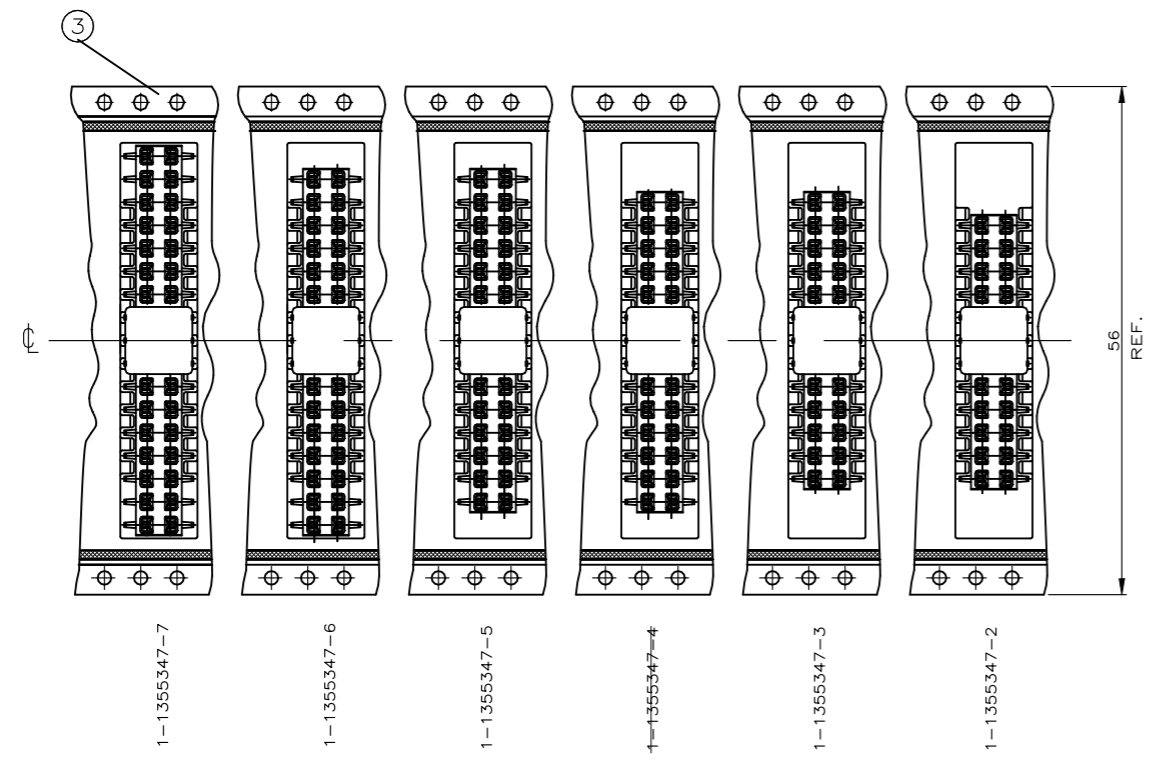
REVISIONS

P	LTR	DESCRIPTION	DATE	DWN	APVD
-	-	SEE SHEET 1	-	-	-

DETAIL X



DIRECTION OF THE TOP OF THE REEL



740669-4	④
740713-1	③
740669-2	②
740715-1	①
BLISTER PN:	ITEM

THIS DRAWING IS A CONTROLLED DOCUMENT.

DIMENSIONS: mm	TOLERANCES UNLESS OTHERWISE SPECIFIED:
	0 PLC ± 0.2
	1 PLC ± 0.1
	2 PLC ± 0.1
	3 PLC ± -
	4 PLC ± -
	ANGLES ± 3°
MATERIAL SEE TABLE	FINISH SEE TABLE

DWN T.BERGNER	18-OCT-99
CHK M.SCHAARSCHMIDT	18-OCT-99
APVD G.FELDMEIER	18-OCT-99
PRODUCT SPEC	NAME
APPLICATION SPEC	SIZE
WEIGHT	CAGE CODE
CUSTOMER DRAWING	DRAWING NO



HV100 RECEPT.CONNECTOR,DUAL ROW, SMD,PACKED IN BLISTER,TIN VERSION

SIZE	CAGE CODE	DRAWING NO	RESTRICTED TO
A3	00779	C-1355347	-
SCALE	SHEET	REV	
5:1	3 OF 3	A4	