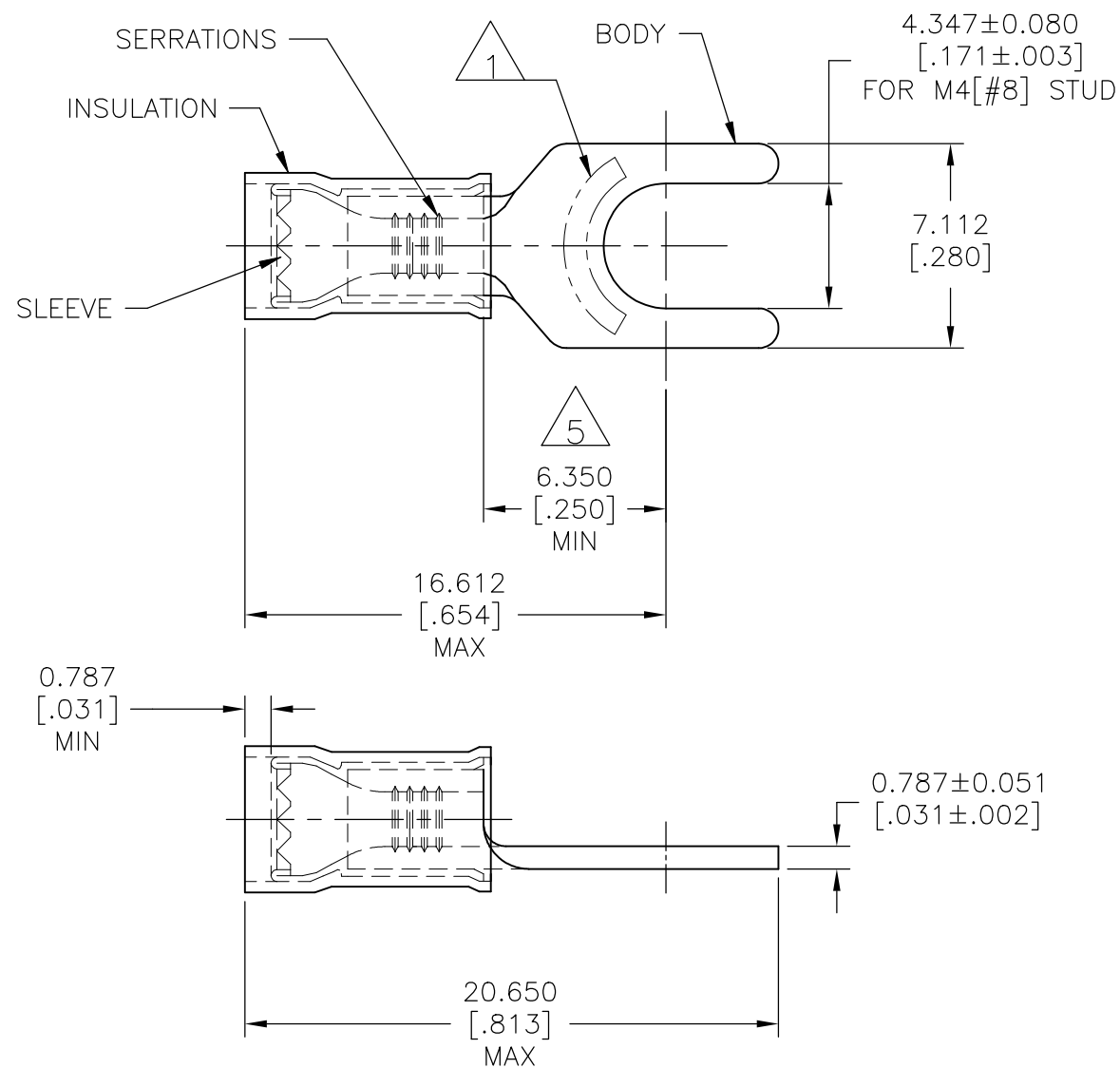


P	LTR	DESCRIPTION	DATE	DWN	APVD
F2		REVISED PER ECO-11-004917	11MAR11	RK	HMR
F3		REVISED PER ECO-17-008114	04JUN2018	RS	DR



AMP WIRE RANGE	Listed
22-16 AWG SOLID OR STRANDED	22-16 AWG SOLID OR STRANDED

- 1 STAMP "AMP 22-16*", APPROX AS SHOWN
- 2 WIRE INSULATION DIA: 2.667-3.556 [.105-.140]
- 3 BODY & SLEEVE: TIN PLATE PER ASTM B545, INSULATION: COLOR-RED
- 4 BODY & SLEEVE- CU PER ASTM B152 INSULATION - NYLON
- 5 APPLIES FROM EDGE OF METAL WIRE BARREL TO CENTER OF STUD

1000	LOOSE PIECE	130517
QTY	PACKAGE TYPE	PART NO

AMP INCORPORATED CUSTOMER SERVICE SYSTEMS		MAX RECOMMENDED OPERATING TEMPERATURE: 105°C[221°F] MAX	THIS DRAWING IS A CONTROLLED DOCUMENT.		DWN JR RUTH 08NOV05	TE Connectivity Ltd.			
FOR ADDITIONAL PRODUCT INFORMATION OR COPIES OF DRAWINGS AND TECHNICAL DOCUMENTS	PRODUCT INFORMATION CENTER 1-800-522-6752	VOLTAGE RATING: 300 V MAX	DIMENSIONS: mm [INCHES]	TOLERANCES UNLESS OTHERWISE SPECIFIED:	CHK T MICHIELUTTI 08NOV05			NAME TERMINAL, SPADE TONGUE, P.I.D.G.	
FOR APPLICATION TOOLING INFORMATION	TOOLING ASSISTANCE CENTER 1-800-722-1111	CIRCULAR MIL AREA: 0.26-1.65mm²[509-3,260] SOLID OR STRANDED		0 PLC ± - 1 PLC ± - 2 PLC ± - 3 PLC ± 0.127[.005] 4 PLC ± - ANGLES ± -	APVD T MICHIELUTTI 08NOV05	WIRE SIZE: 22-16 AWG			
FOR ORDER ENTRY	1-800-526-5142	THIS DRAWING IS A CONTROLLED DOCUMENT FOR AMP INCORPORATED. IT IS SUBJECT TO CHANGE AND THE CONTROLLING ENGINEERING ORGANIZATION SHOULD BE CONTACTED FOR THE LATEST REVISION.	MATERIAL 4	FINISH 3	PRODUCT SPEC UL 486 A-B	SIZE A3	CAGE CODE 00779	DRAWING NO C-130517	RESTRICTED TO -
					APPLICATION SPEC 114-2157	SCALE 4:1	SHEET 1 OF 1	REV F3	