
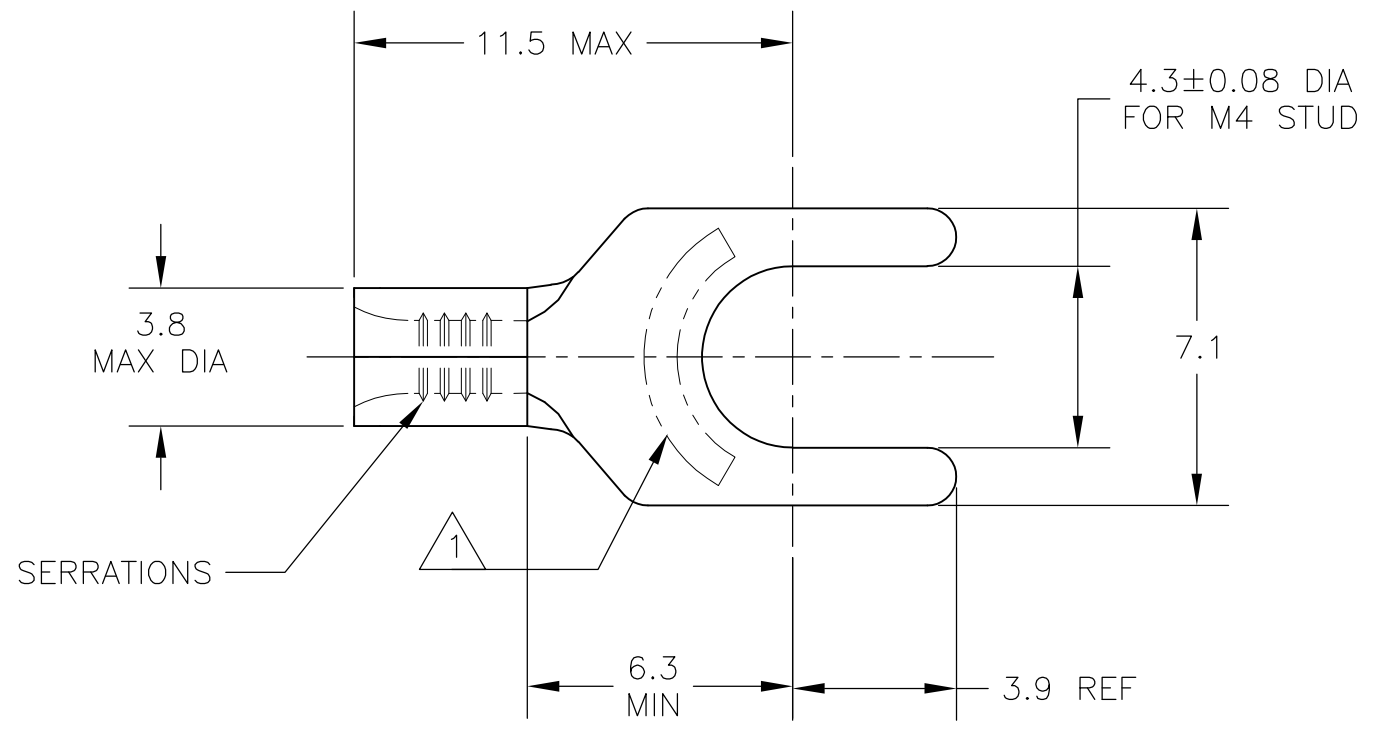


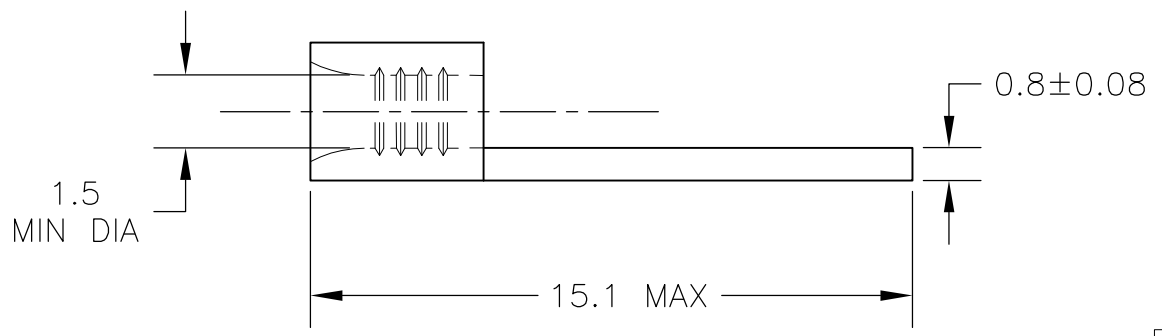
THIS DRAWING IS UNPUBLISHED. RELEASED FOR PUBLICATION  
 © COPYRIGHT - By - ALL RIGHTS RESERVED.

LOC	DIST	REVISIONS					
G	02	P	LTR	DESCRIPTION	DATE	DWN	APVD
			B1	REVISED PER ECO-14-016624	22APR2015	NK	DR


<b>AMP</b> WIRE RANGE	 Listed
0.25-1.65 SOLID OR STRANDED	0.25-1.65 SOLID OR STRANDED



1 STAMP AMP 22-16\*  
LOCATE APPROX AS SHOWN.



OBSOLETE	0.00305 MIN TIN PER ASTM-B545	130515-1
	0.00254 MIN TIN PER ASTM-B545	130515
	FINISH	PART NO

THIS DRAWING IS A CONTROLLED DOCUMENT.		DWN JR RUTH 21DEC06	 TE Connectivity	
DIMENSIONS: mm		CHK T MICHIELUTTI 21DEC06		
TOLERANCES UNLESS OTHERWISE SPECIFIED:		APVD T MICHIELUTTI 21DEC06	NAME TERMINAL BODY, SPADE, SOLISTRAND WIRE SIZE, 22-16 AWG	
0 PLC ± -		PRODUCT SPEC	SIZE	
1 PLC ± 0.2		APPLICATION SPEC	CAGE CODE	DRAWING NO
2 PLC ± -		WEIGHT	A3	00779
3 PLC ± -		CUSTOMER DRAWING	C-130515	
4 PLC ± -		SCALE	6:1	SHEET
ANGLES ± 1°		SHEET	1 OF 1	REV
MATERIAL COPPER	FINISH SEE NOTES	RESTRICTED TO		B1