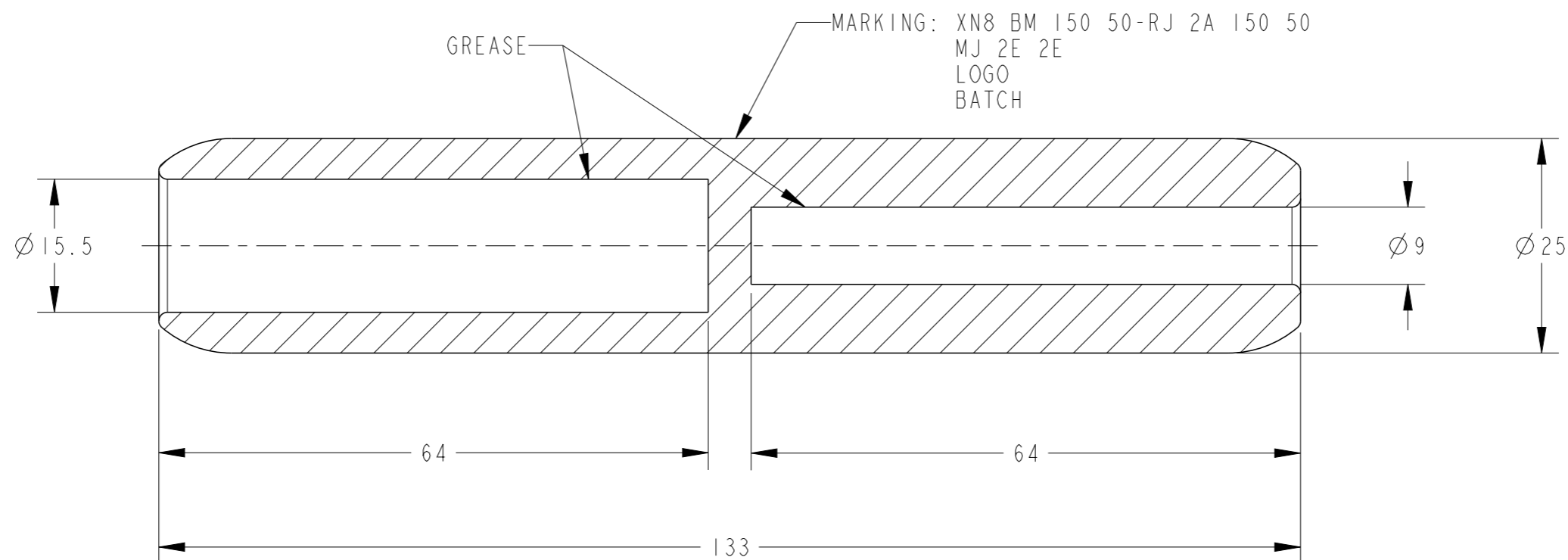


REVISIONS

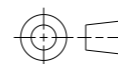
P	LTR	DESCRIPTION	DATE	DWN	APVD
	A	INITIAL RELEASE	17DEC2020	RS	NA



TCPN	DESCRIPTION	CROSS SECTION (mm ²)
1273133-1	XN8 BM 150 50-RJ 2A 150 50 (M)	150-50

THIS DRAWING IS A CONTROLLED DOCUMENT.

DIMENSIONS:
mm



MATERIAL
ALUMINIUM

TOLERANCES UNLESS OTHERWISE SPECIFIED:

0 PLC	±-
1 PLC	±-
2 PLC	±-
3 PLC	±-
4 PLC	±-
ANGLES	±-
FINISH	-

DWN 17DEC2020

RAVI, S

CHK 17DEC2020

L. JONATHAN

APVD 17DEC2020

N. ALMEIDA

PRODUCT SPEC

-

APPLICATION SPEC

-

WEIGHT

150 g

CUSTOMER DRAWING

NAME XN8 BM 150 50-RJ 2A 150 50 (M)

TE Connectivity

SIZE CAGE CODE DRAWING NO RESTRICTED TO

A3 00779 C-1273133 -

SCALE NTS SHEET 1 OF 1 REV A