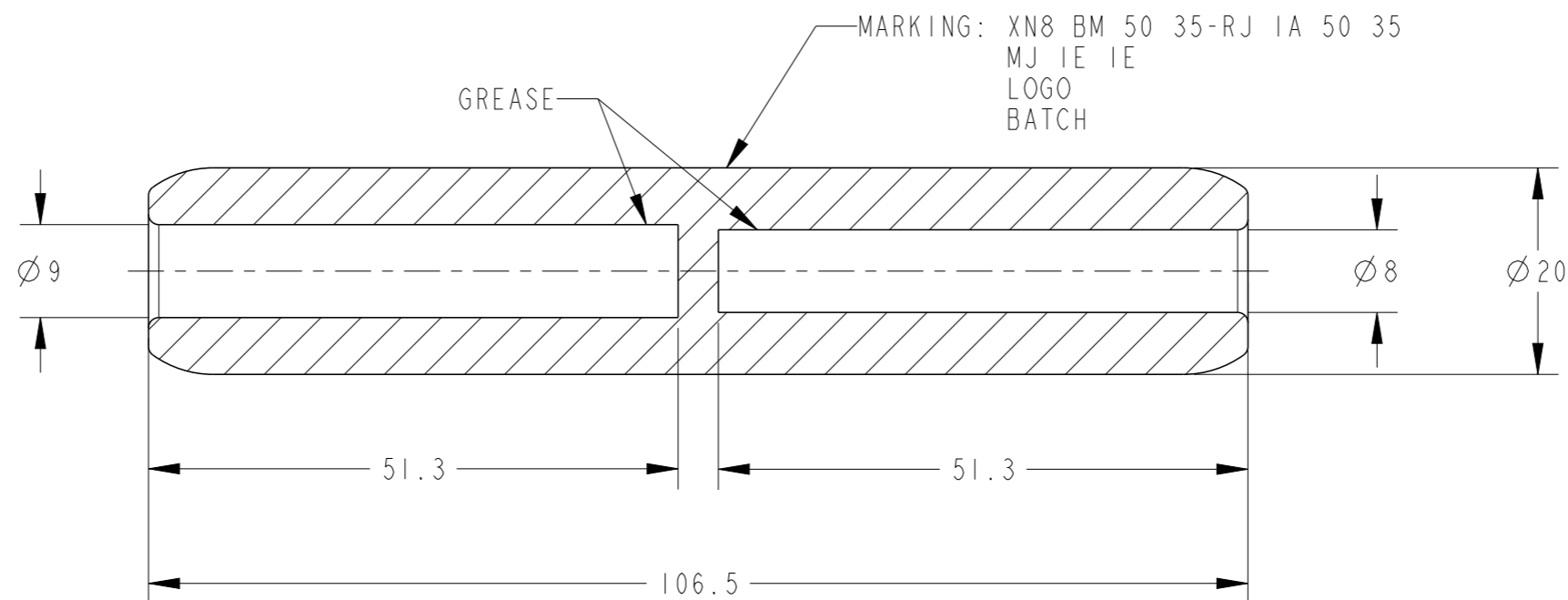


REVISIONS

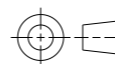
P	LTR	DESCRIPTION	DATE	DWN	APVD
	A	INITIAL RELEASE	17DEC2020	RS	NA



TCPN	DESCRIPTION	CROSS SECTION (mm <sup>2</sup> )
1273053-1	XN8 BM 50 35-RJ 1A 50 35 (M)	50-35

THIS DRAWING IS A CONTROLLED DOCUMENT.

DIMENSIONS:  
mm



MATERIAL  
ALUMINIUM

TOLERANCES UNLESS OTHERWISE SPECIFIED:

0 PLC	±-
1 PLC	±-
2 PLC	±-
3 PLC	±-
4 PLC	±-
ANGLES	±-

FINISH -

DWN 17DEC2020  
RAVI.S

CHK 17DEC2020  
L. JONATHAN

APVD 17DEC2020  
N. ALMEIDA

PRODUCT SPEC -

APPLICATION SPEC -

WEIGHT 95 g

CUSTOMER DRAWING

NAME XN8 BM 50 35-RJ 1A 50 35 (M)

SIZE	CAGE CODE	DRAWING NO	RESTRICTED TO
------	-----------	------------	---------------

A3	00779	1273053	-
----	-------	---------	---

SCALE	SHEET	OF	REV
NTS	1	1	A

