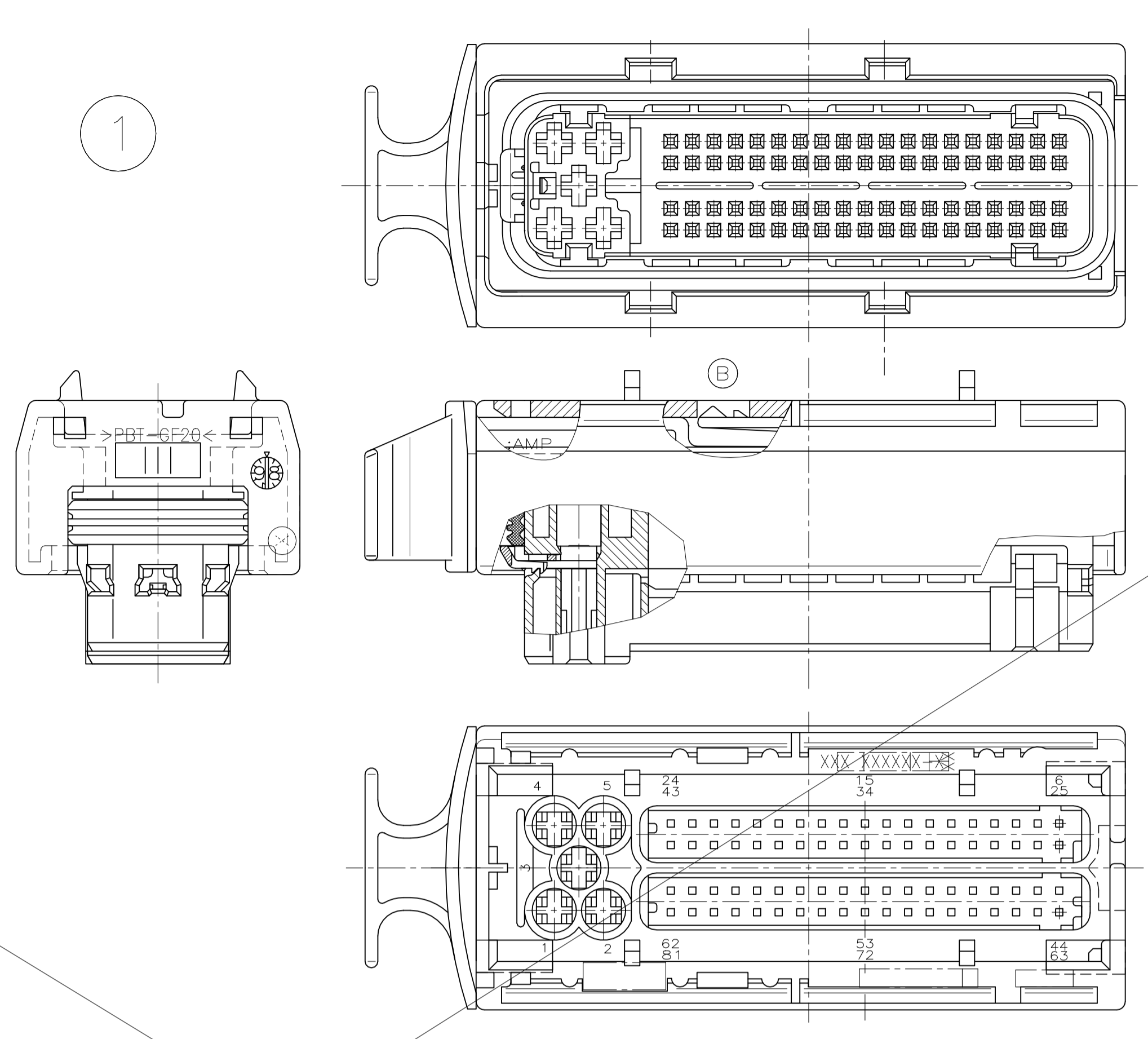
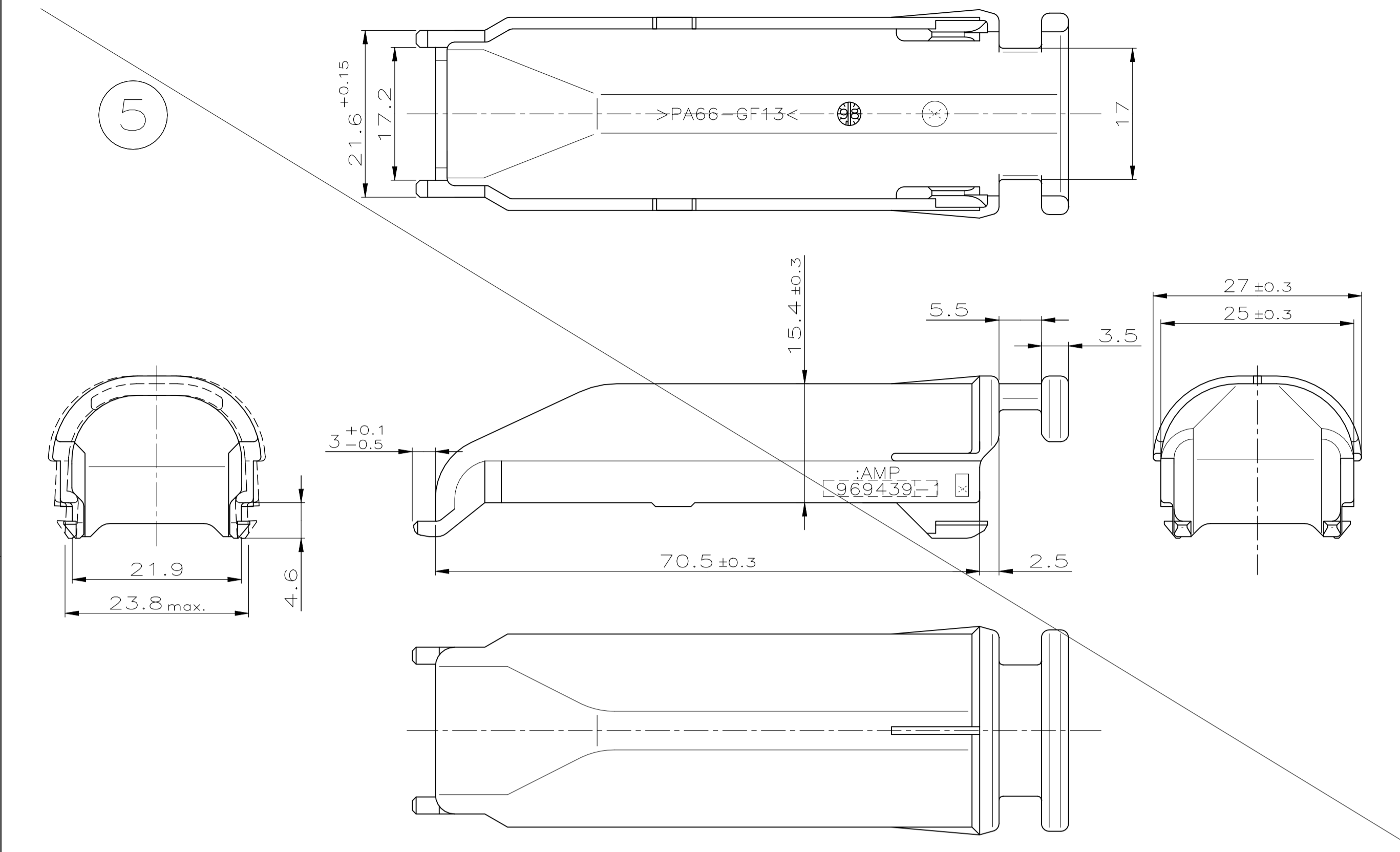
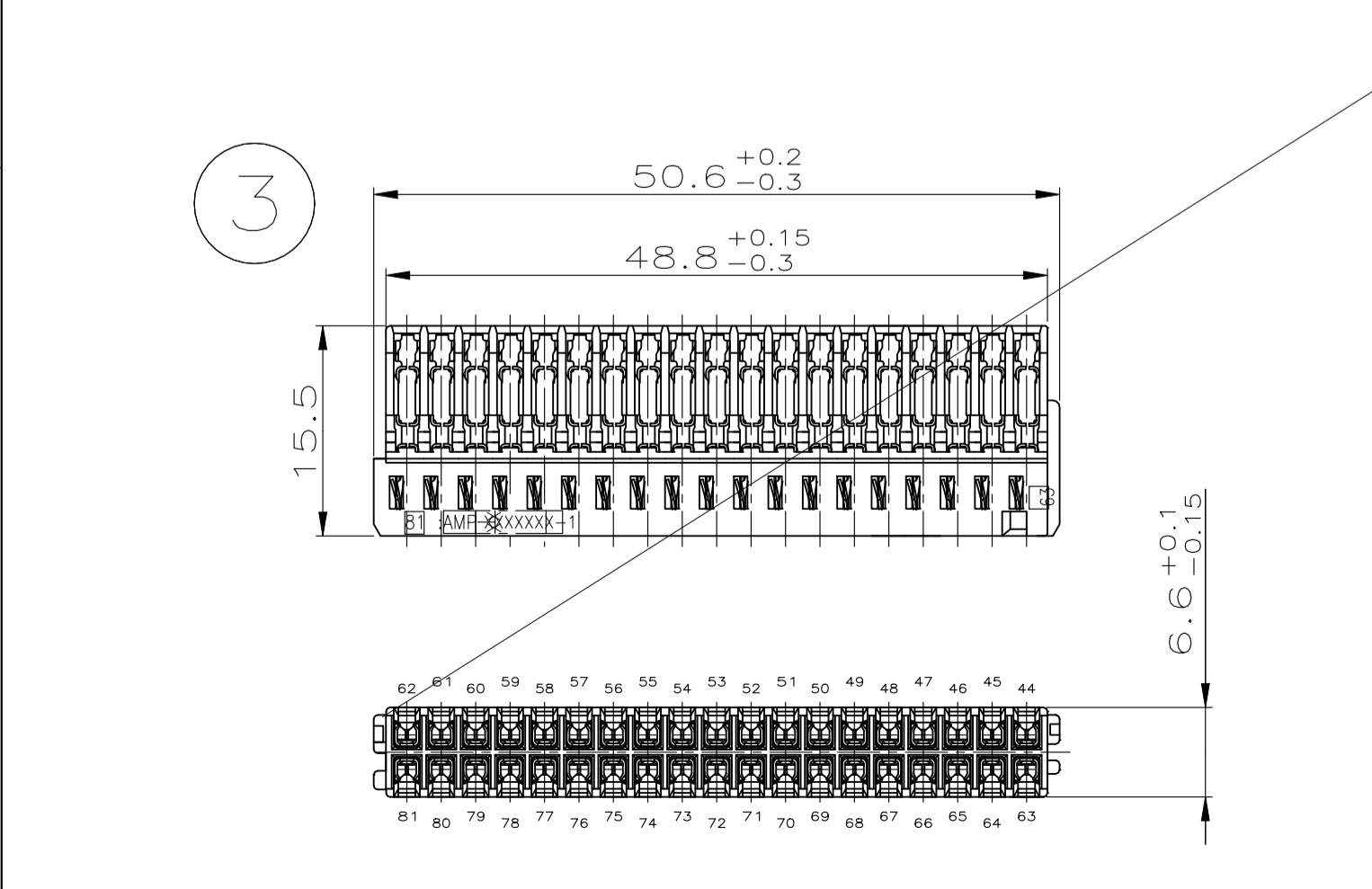
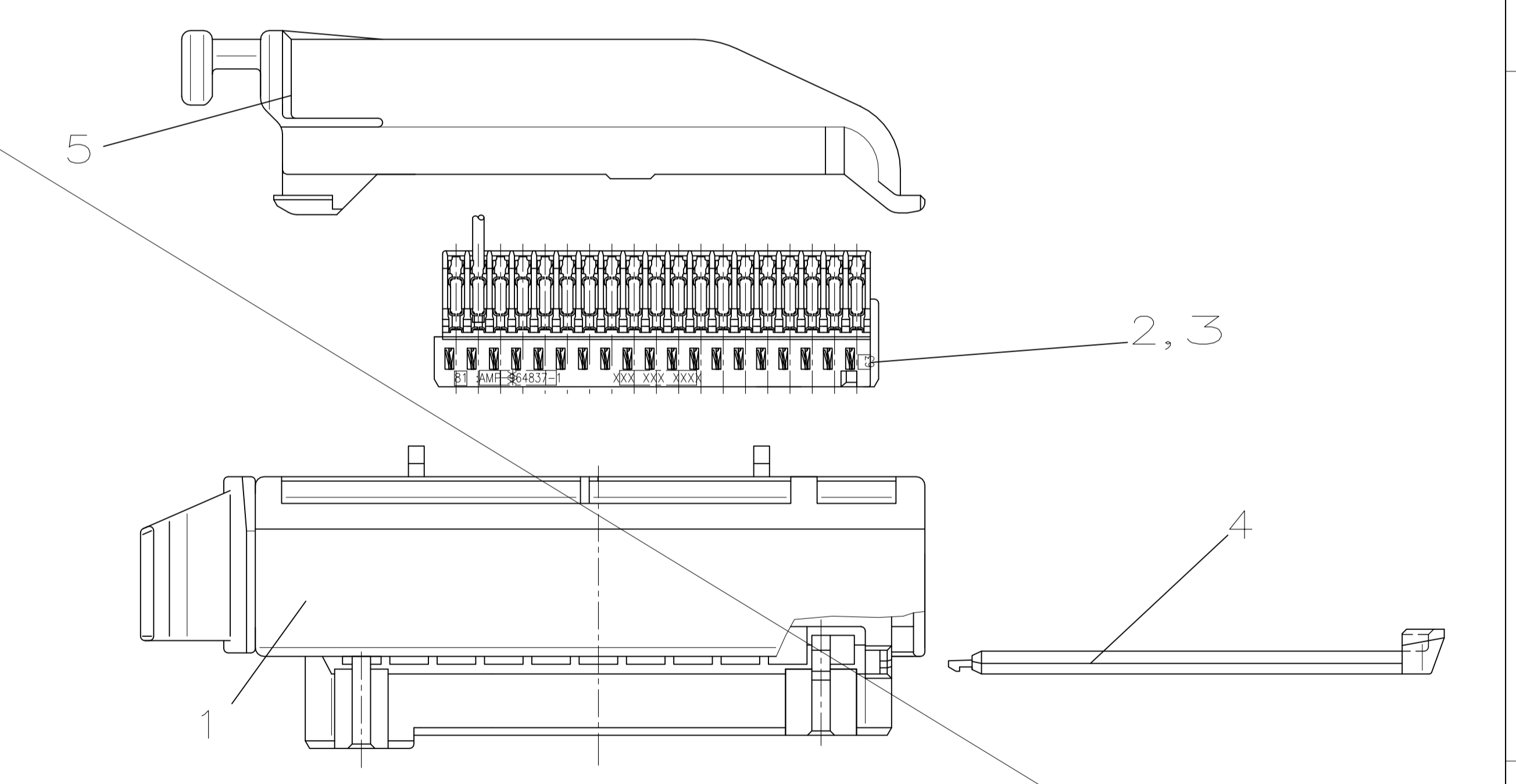
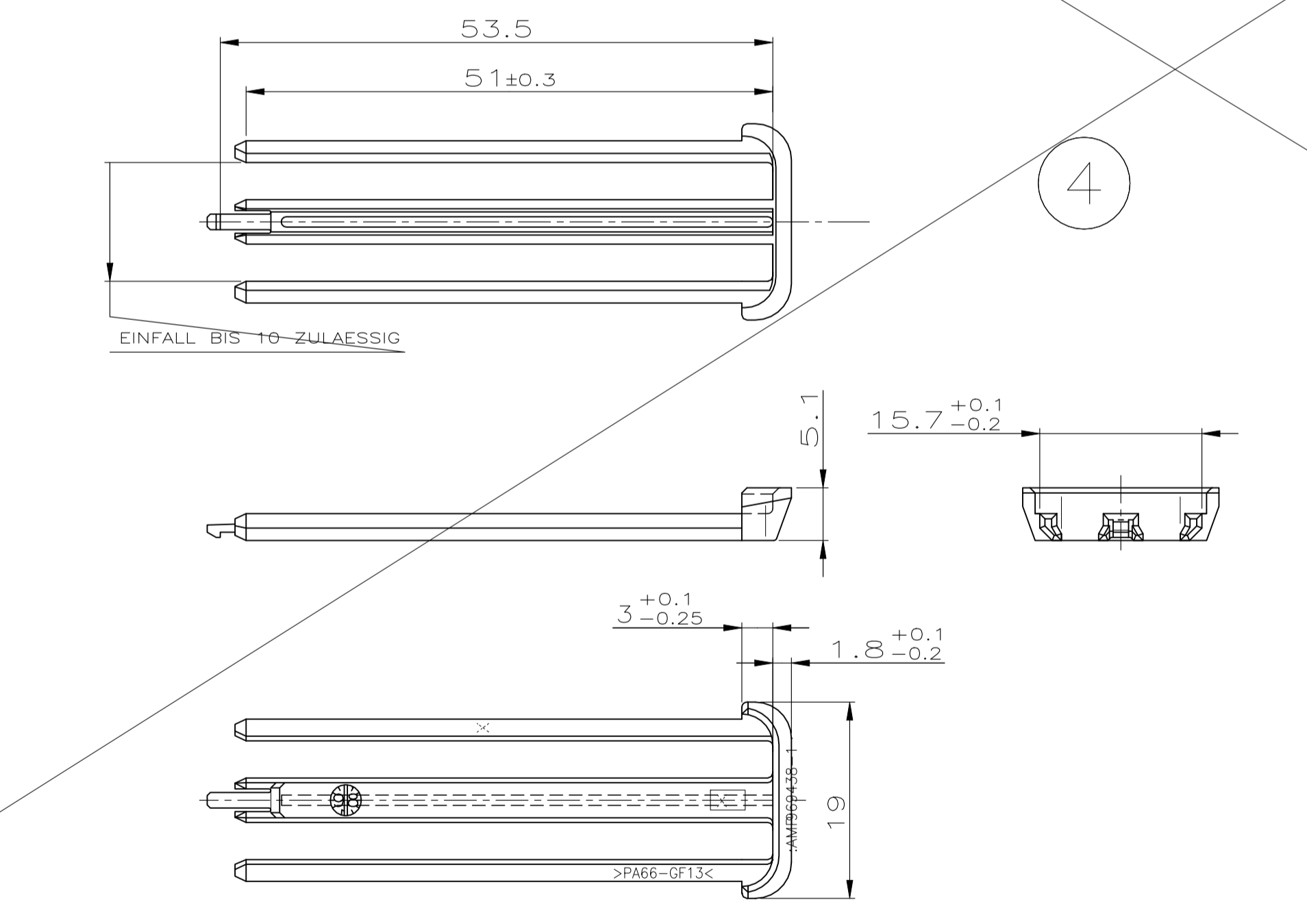
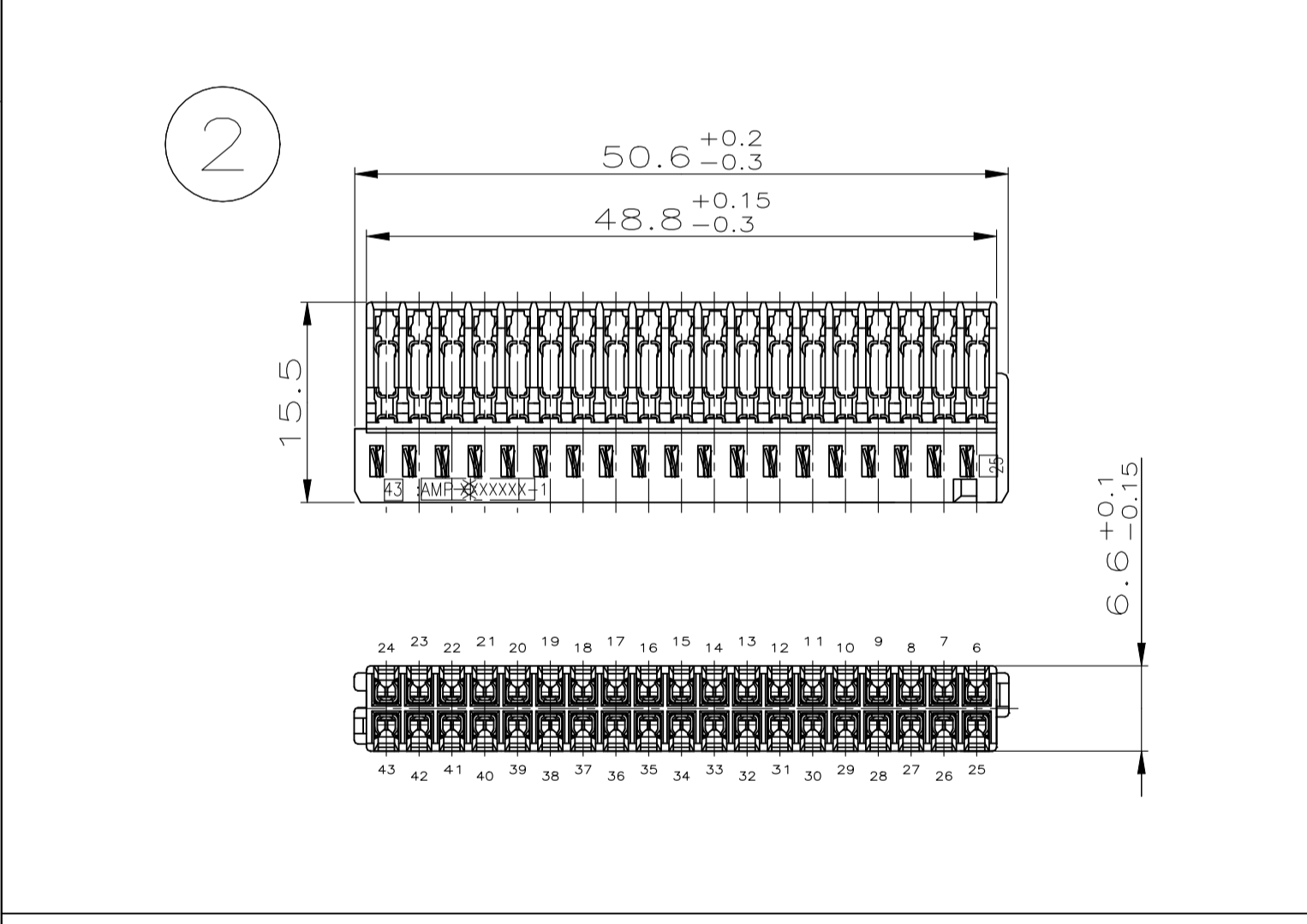


LOC	DIST	REV	DATE	OWN	APP'D
AI	-	B	08-JUN-99	GF	BK
PROJECT NR. A97-52466		B2	08-AUG-22	MKS	
DESCRIPTION: 1241029-5 REV. B		REVISIONS ÄNDERUNGEN DESCRIPTION BESCHREIBUNG			
OBSOLETE					



Bemerkungen
 1 Passend zu Stiftleiste
 966971,969869,969988



-5 wie gezeichnet
 AS SHOWN

BESTELL-NR.	REV.	EINZELTEIL-NR.	REV.	POS.	STÜCK	BENENNUNG EINZELTEIL	Kod.	WERKSTOFF	FARBE
+241030-5 OBSOLETE		969439-1	A	5	1	Kappe		PA66 GF	SCHWARZ
		969438-1	A	4	1	RETAINER für TSMT Gehäuse		PA66 GF	VIOLETT
		1241026-1	A	3	1	AMPMODU TSMT Geh. 2x19pol. Kod.B		PBT-GF CU SN	NATUR VERGOLDET
		1241025-1	A	2	1	AMPMODU TSMT Geh. 2x19pol. Kod.A		PBT-GF CU SN	SCHWARZ VERGOLDET
		1241029-5	B	1	1	TSMT, JPT Steckver. 5+76pol.	E	PBT GF	VIOLETT

OTHERWISE SPECIFIED:	TOLERANCES UNLESS SPECIFIED:	FINISH/OTHERWISE SPECIFIED:	OTHERWISE SPECIFIED:
AS SHOWN	AS SHOWN	AS SHOWN	AS SHOWN

DATE: 06-APR-98	DESIGNER: M. Ueckermann	DATE: 06-APR-98	DESIGNER: M. Ueckermann
DATE: 06-APR-98	DESIGNER: S. Glaser	DATE: 06-APR-98	DESIGNER: S. Glaser
DATE: 06-APR-98	DESIGNER: B. Kirsch	DATE: 06-APR-98	DESIGNER: B. Kirsch

AMP Deutschland GmbH	D - 63225 Langen
JPT, AMPMODU TANDEM SPRING MT CONNECTOR 5+76POSN	
JPT, AMPMODU Tandem Spring MT Steckverb. 5+76pol	
SIZE: A100779	TECHNINGS-NR.: C-1241030
WEIGHT: -	RESTRICTED TO: KUPF FIBER
CUSTOMER DRAWING: /KUNDENZEICHNUNG	MASSSTAB: 2:1
	BLATT OF: 1 von 1
	REV: B2