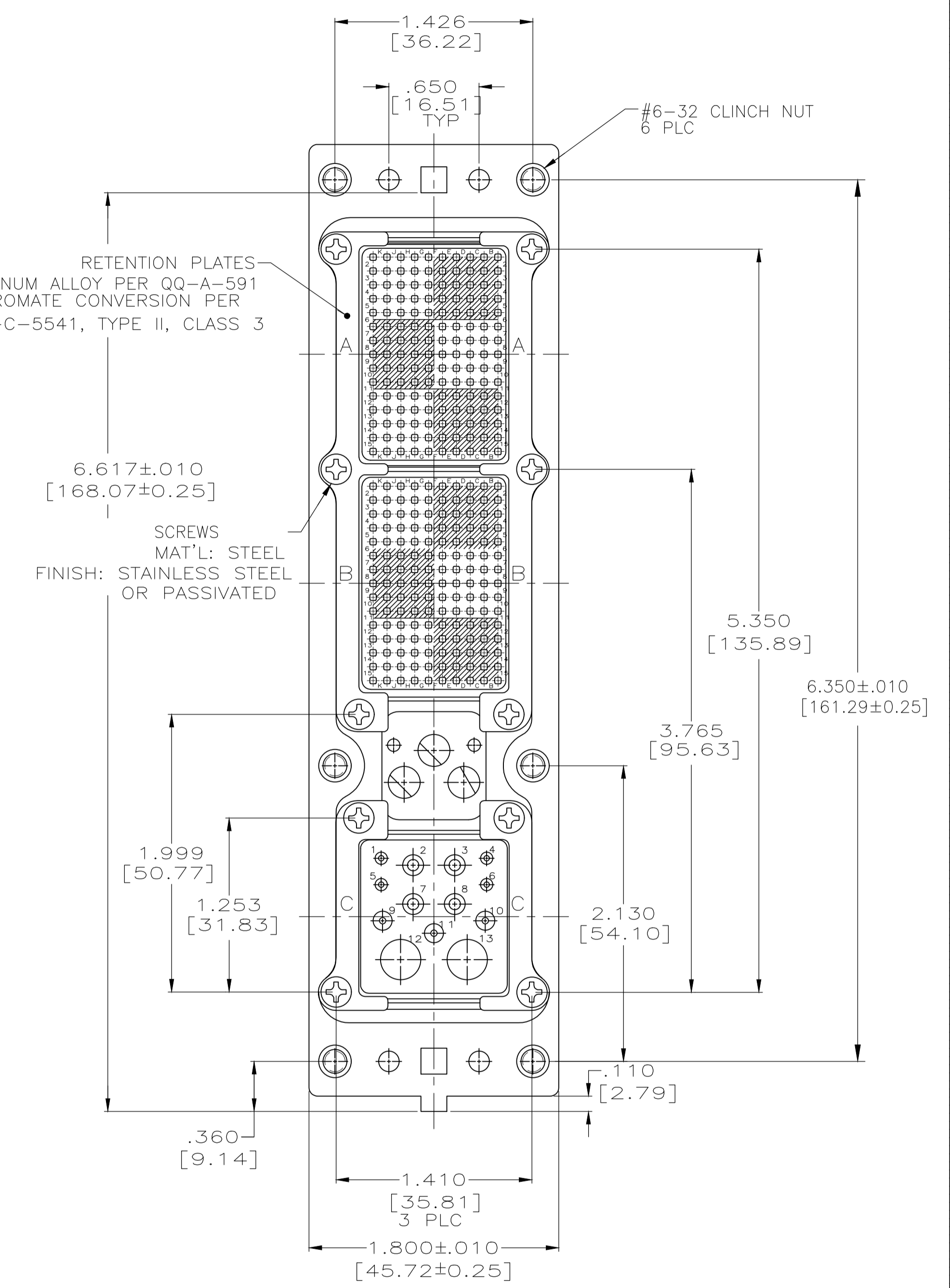
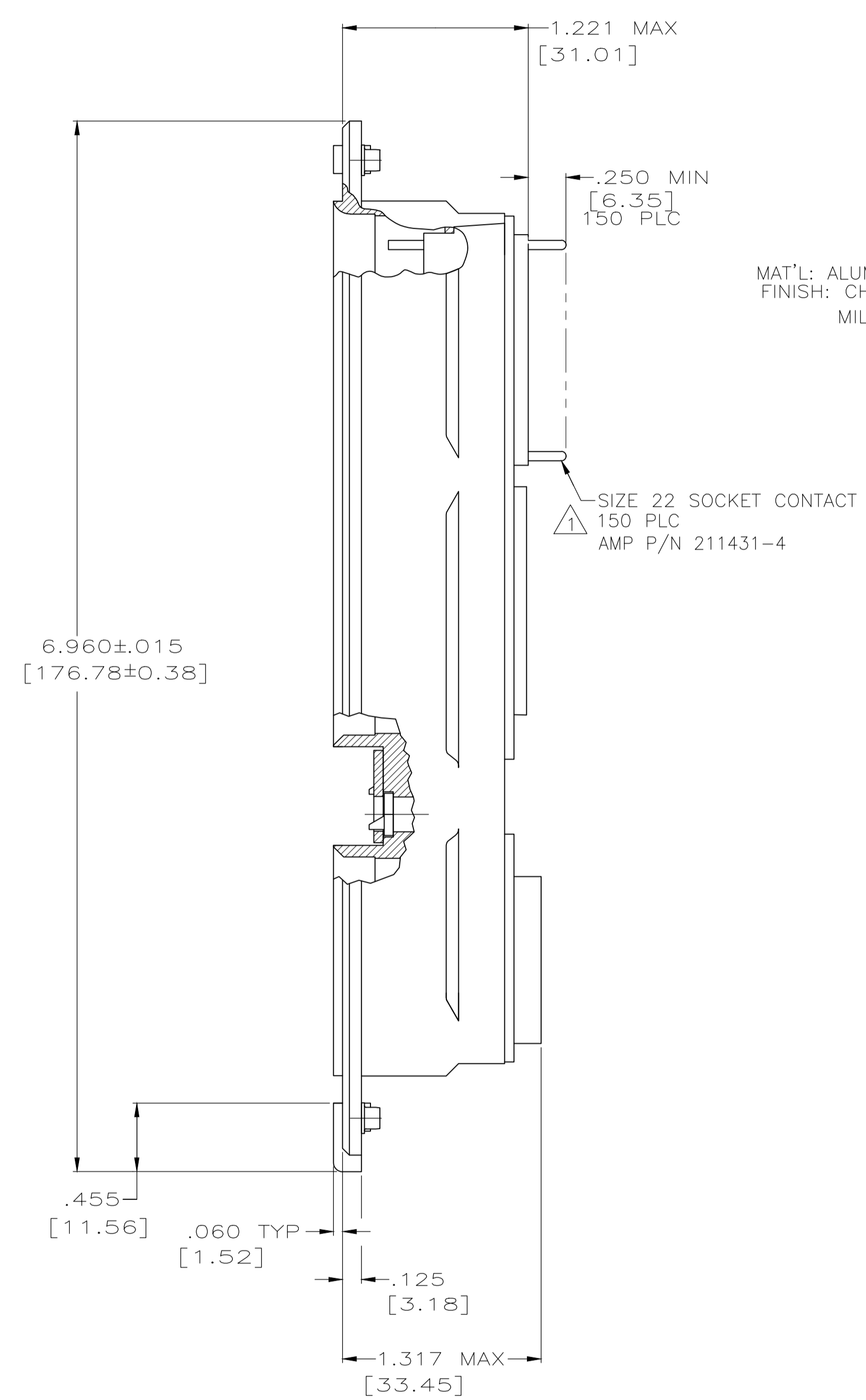
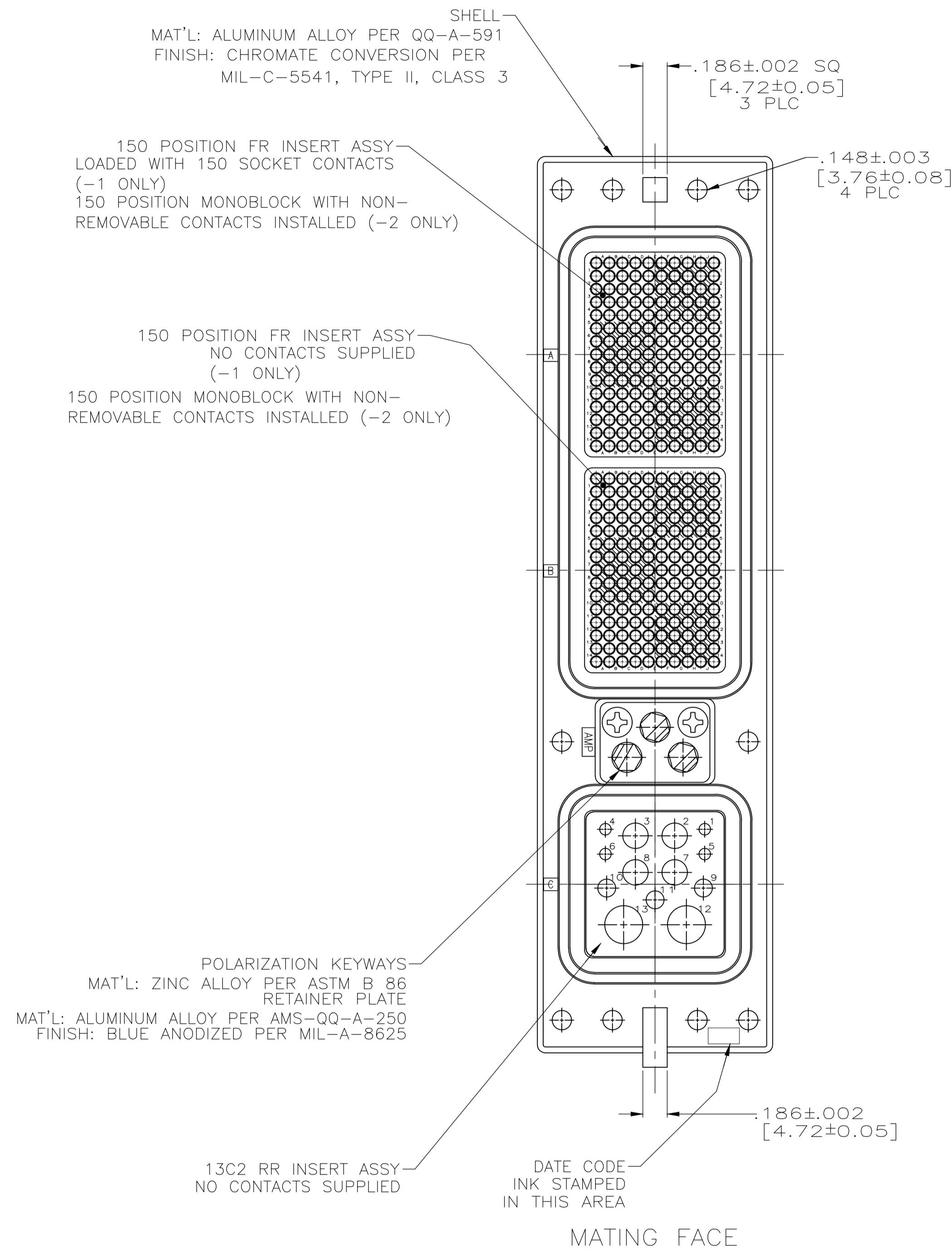


LOC		DIST		REVISIONS			
F	LTR	DESCRIPTION	DATE	DNW	APVD		
F		REVISED PER ECO-17-018523	19JAN2018	PHM	CT		

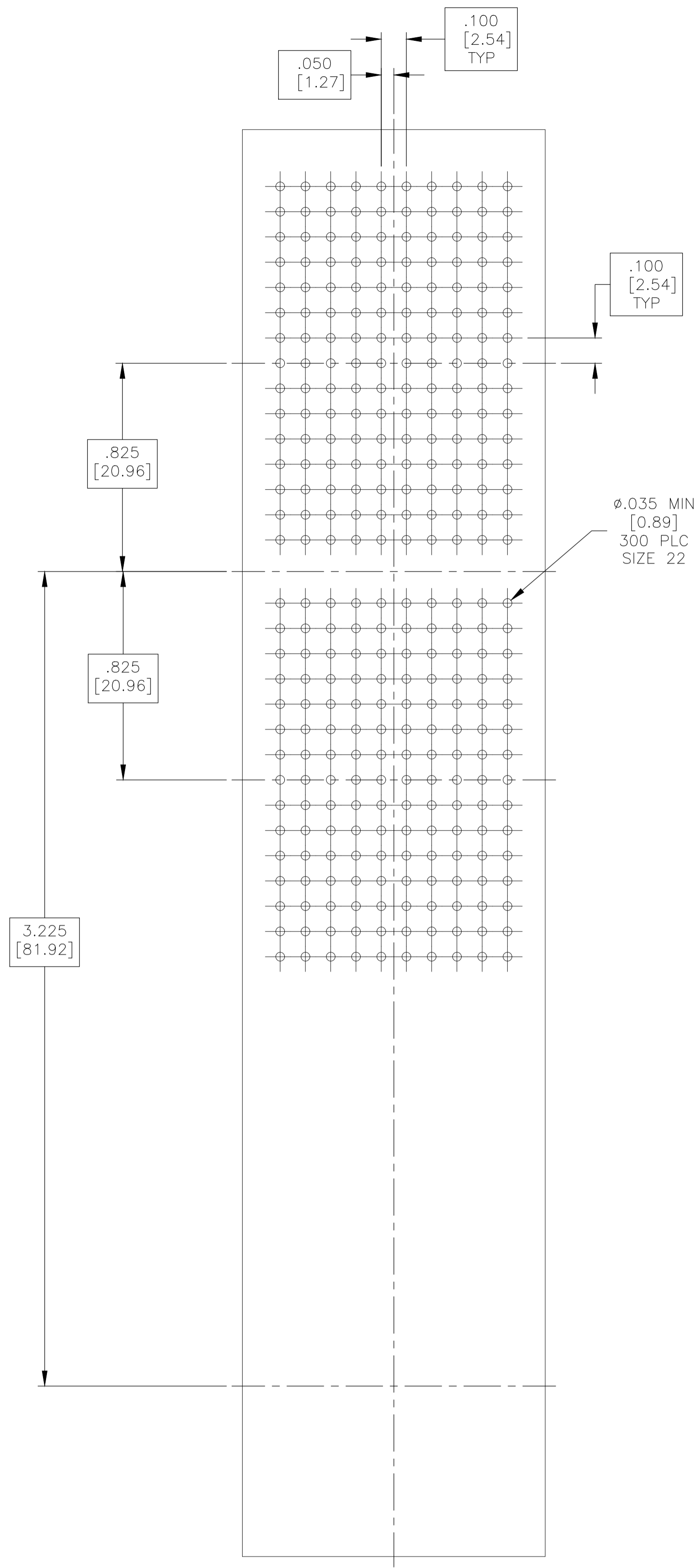


- CONTACTS ARE LOADED IN THE 150 POSITION INSERT IN MODULE "A" ONLY. (-1 ONLY)
ALL OTHER CONTACTS ARE NOT SUPPLIED AND MUST BE ORDERED SEPARATELY.
- POLARIZING KEYS ARE INSTALLED IN POSITION 50.

WITH STAMPED & FORMED NON-REMOVABLE CONTACTS	1218657-2
	1218657-1
REMARKS	PART NO.

THIS DRAWING IS A CONTROLLED DOCUMENT.		DNW C.C.THOMAS 3-15-00	TE Connectivity	
DIMENSIONS: INCHES		CHK S. GLATFELTER 3-15-00	NAME	
TOLERANCES UNLESS OTHERWISE SPECIFIED:		APVD S. GLATFELTER 3-15-00	PRODUCT SPEC	
0 PLC ± -	1 PLC ± -	APPLICATION SPEC		
2 PLC ± -	3 PLC ± .005 [0.13]	SIZE CAGE CODE DRAWING NO		
4 PLC ± -	ANGLES ± -	RESTRICTED TO		
MATERIAL SEE CALLOUTS	FINISH SEE CALLOUTS	WEIGHT	A1 00779 C=1218657	SCALE 3:2 SHEET 1 OF 2 REV F
CUSTOMER DRAWING		SCALE 3:2 SHEET 1 OF 2 REV F		

LOC		DIST		REVISIONS			
P	LTR	DESCRIPTION	DATE	DN	APVD		
-	-	SEE SHEET-1	-	-	-	-	-



RECOMMENED P.C.BOARD LAYOUT
 SCALE 3:1

THIS DRAWING IS A CONTROLLED DOCUMENT.		DIN C.C.THOMAS 3-15-00	TE Connectivity	
DIMENSIONS: INCHES		CHK S.GLATFELTER 3-15-00		
		APVD S.GLATFELTER 3-15-00	NAME CONNECTOR ASSY, SIZE 2 CLASS (FA), RCPT, ARINC-600	
0. PLC ± - 1. PLC ± - 2. PLC ± - 3. PLC ± .005 [0.13] 4. PLC ± - ANGLES ± - 40° 40°		PRODUCT SPEC	RESTRICTED TO	
MATERIAL SEE CALLOUTS		APPLICATION SPEC	SIZE A1	CAGE CODE 00779
FINISH SEE CALLOUTS		WEIGHT	DRAWING NO 1218657	REV F
		CUSTOMER DRAWING	SCALE 3:2	SHEET 2 OF 2