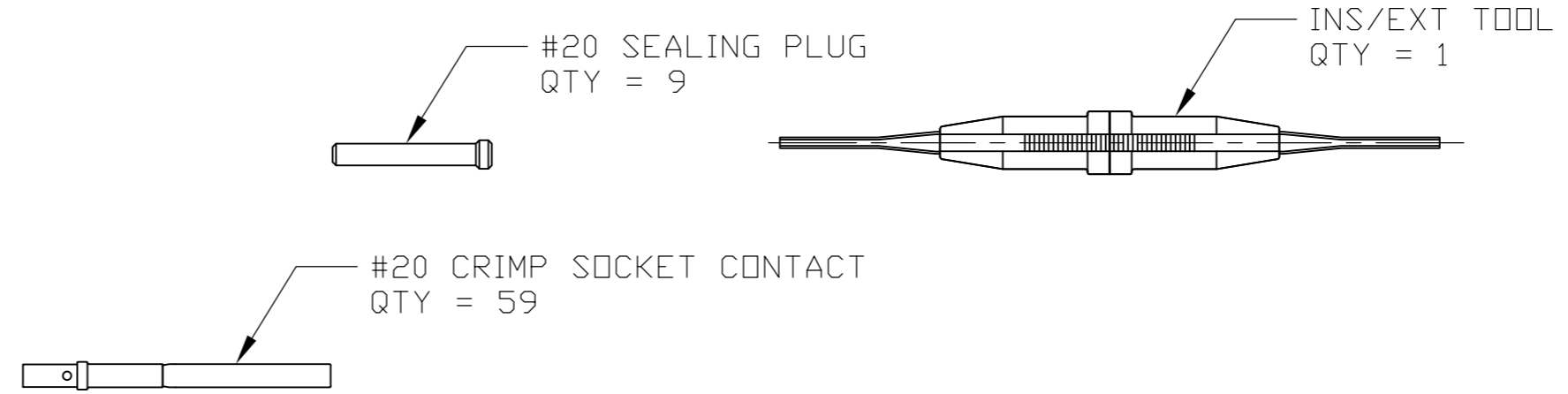
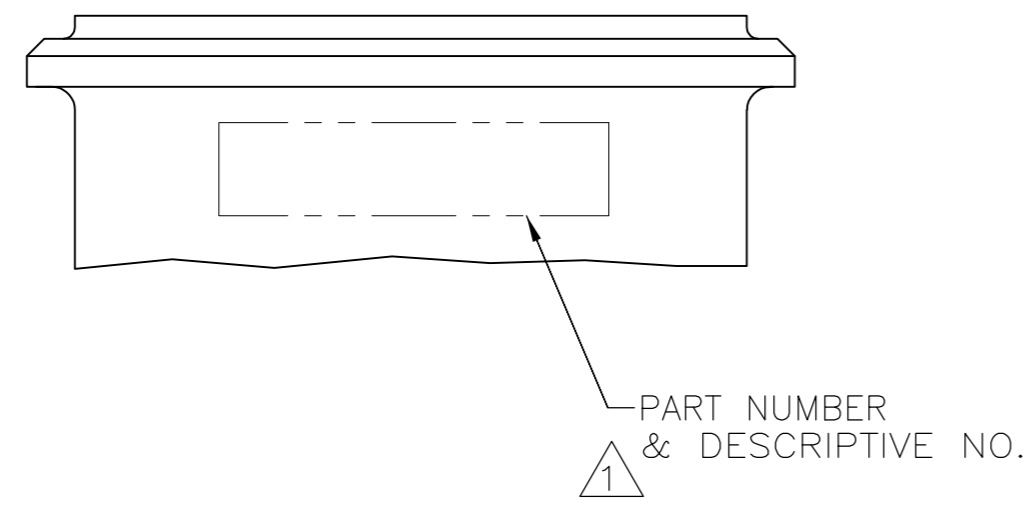
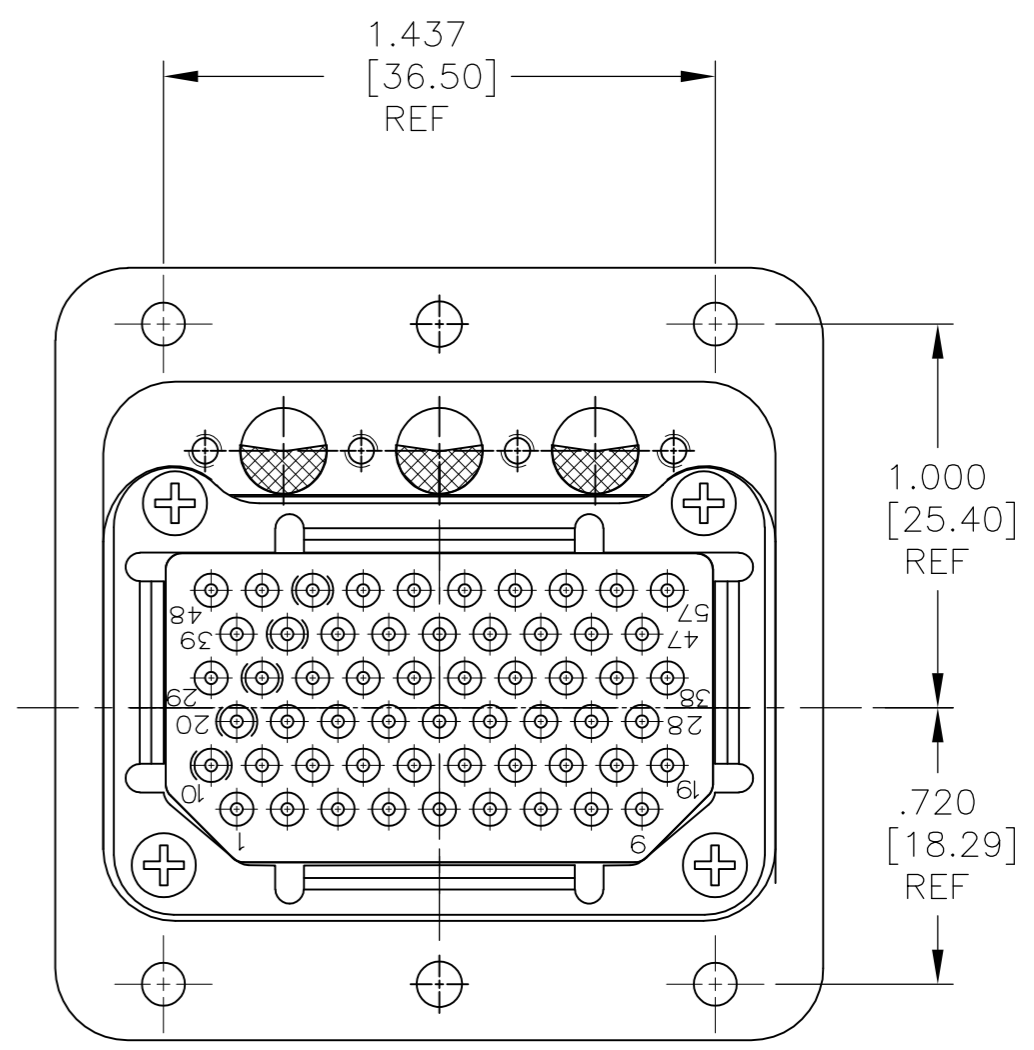
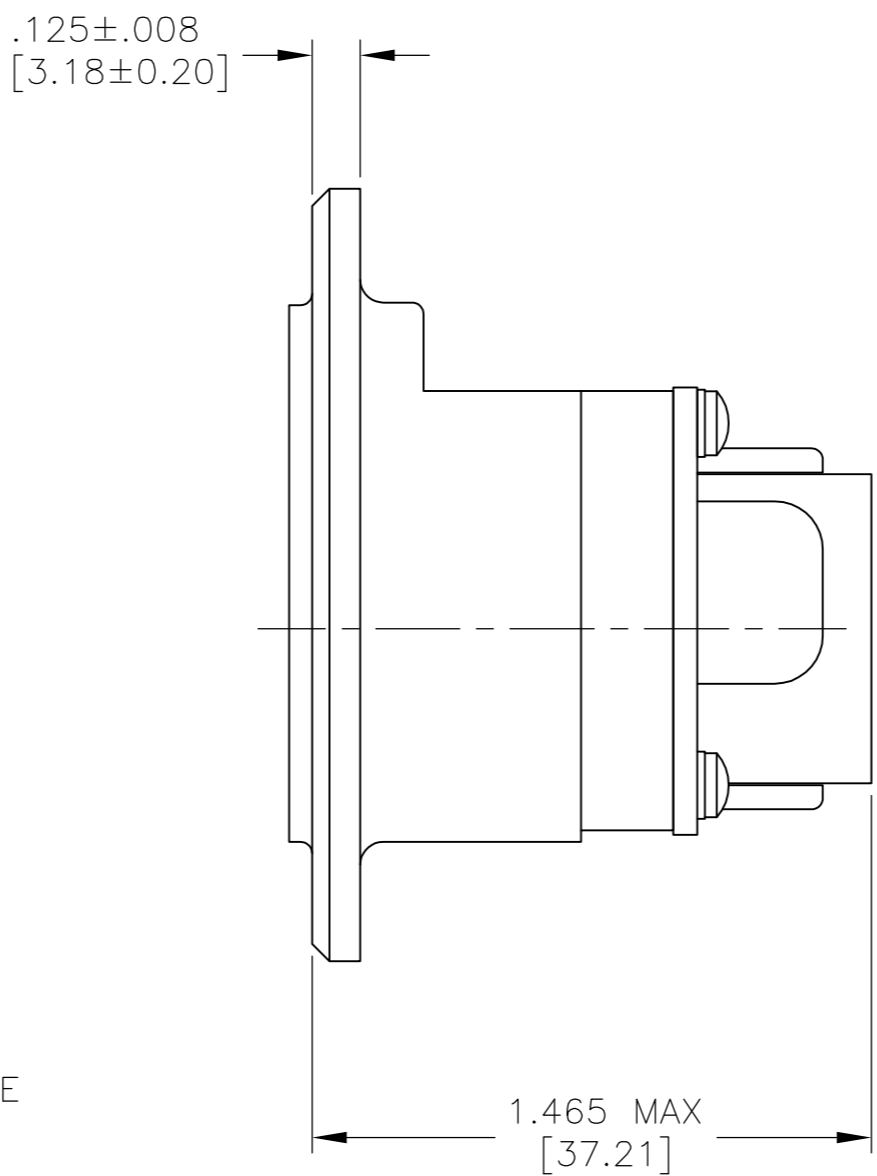
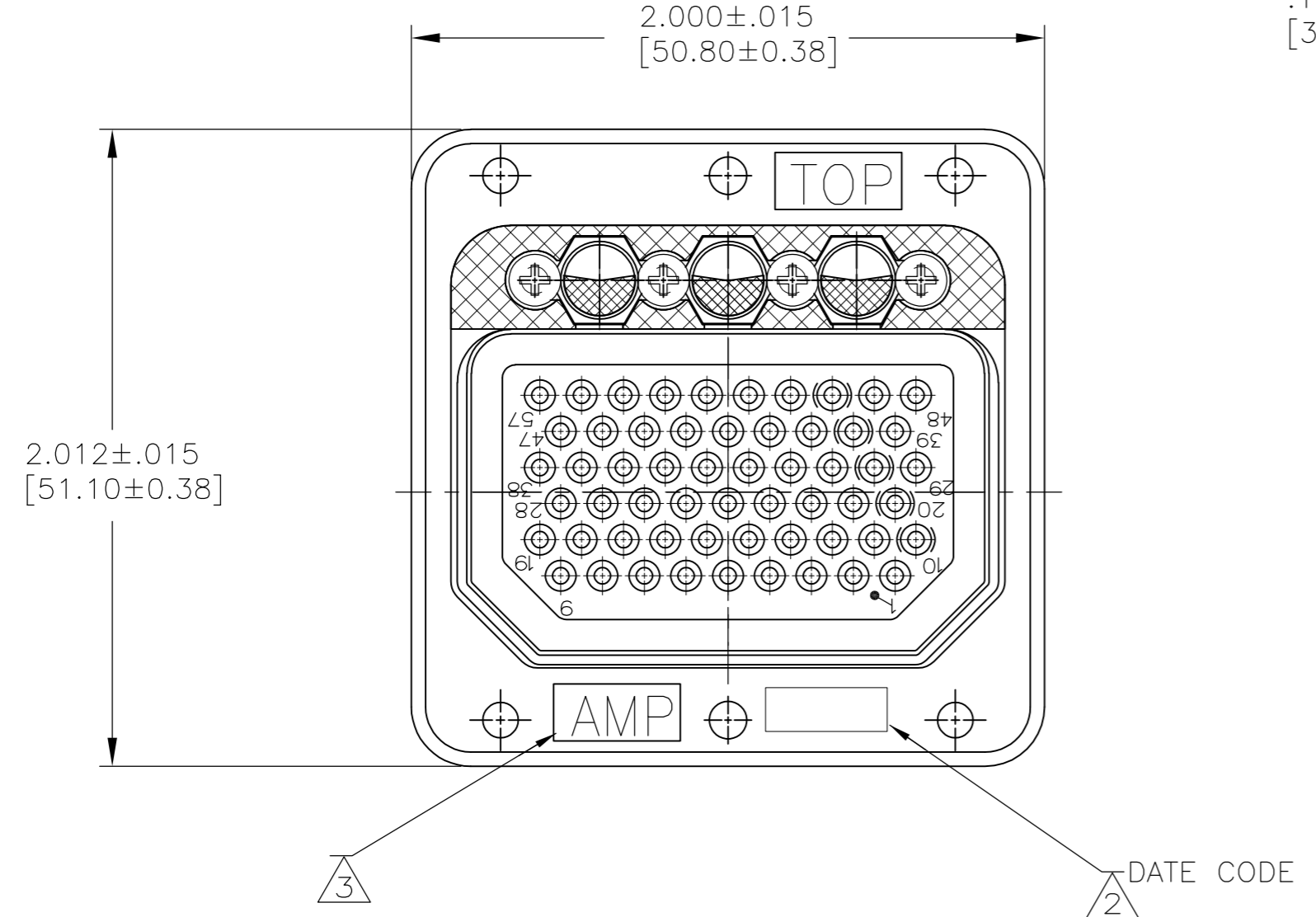


THIS DRAWING IS UNPUBLISHED. RELEASED FOR PUBLICATION
 © COPYRIGHT - By - ALL RIGHTS RESERVED.

LOC		DIST		REVISIONS			
P	LTR	DESCRIPTION		DATE	DWN	APVD	
-	-	A	RELEASED	3-13-14	CT	DE	

- 1. TE PART NO. AND DESCRIPTIVE PART NO. MARKED IN THESE AREAS.
- 2. "AMP" AND DATE CODE MARKED IN THIS AREA.
- 3. KEYING ASSEMBLED IN THE "01" POSITION.
- 4. MATERIAL AND FINISH:
 SHELL: DIE CAST ALUMINUM ALLOY PER FED. SPEC QQ-A-591.
 STANDARD FINISH: CADMIUM PLATE PER QQ-P-416, TYPE I,
 CLASS 2 YELLOW CHROMATE CONVERSION.
 INSERT RETENTION PLATE: ALUMINUM ALLOY, BLUE ANODIZE
 PER MIL-A-8625.
 SCREWS AND WASHERS: STAINLESS STEEL, PASSIVATED.
 POLARIZING POSTS: STAINLESS STEEL, PASSIVATED.
 POLARIZING NUTS: BRASS, CADMIUM PLATED.



1218639-1
 PART NUMBER

THIS DRAWING IS A CONTROLLED DOCUMENT.		DWN C.C.THOMAS 3-13-14	TE TE Connectivity	
DIMENSIONS: INCHES [mm]		CHK D.EABY 3-13-14		
TOLERANCES UNLESS OTHERWISE SPECIFIED:		APVD D.EABY 3-13-14	NAME CONN ASSY,ARINC 404,MME1R57S-0001 (204)	
0 PLC ± -	1 PLC ± -	PRODUCT SPEC	SIZE A2	CAGE CODE 00779
2 PLC ± -	3 PLC ± .005 [0.13]	APPLICATION SPEC	DRAWING NO C=1218639	RESTRICTED TO -
4 PLC ± -	ANGLES ± -	WEIGHT -	SCALE 2:1	SHEET 1 of 1
MATERIAL -	FINISH -	CUSTOMER DRAWING	REV A	