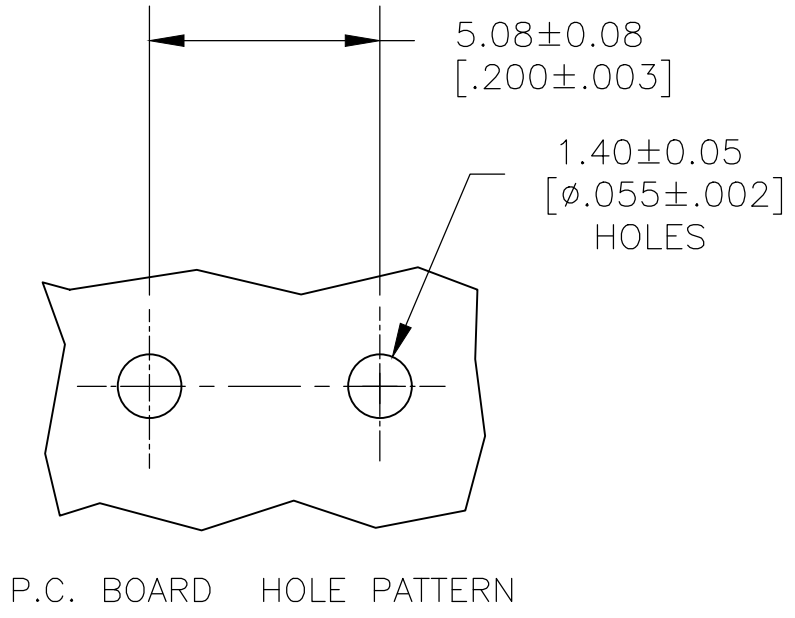
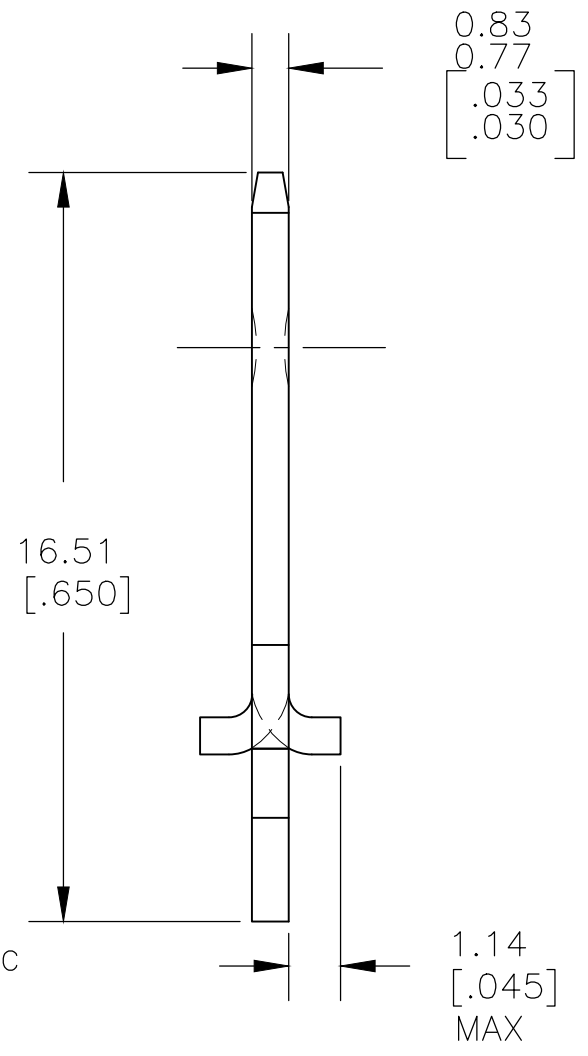
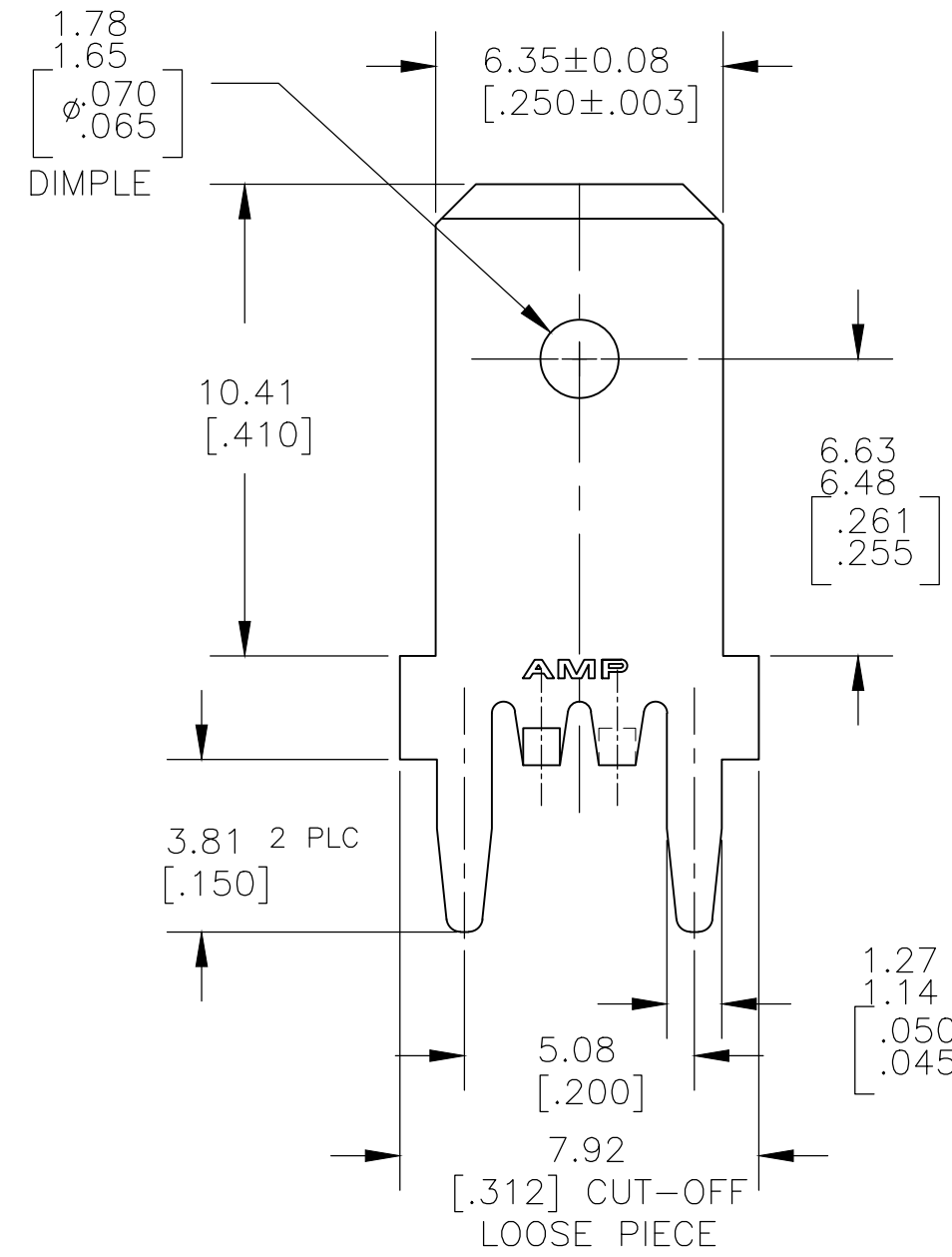


THIS DRAWING IS UNPUBLISHED. RELEASED FOR PUBLICATION
 © COPYRIGHT - By - ALL RIGHTS RESERVED.

REVISIONS					
P	LTR	DESCRIPTION	DATE	DWN	APVD
	E3	REVISED PER ECR-18-017165	16NOV2018	BDA	LB

- 1 CONTINUOUS STRIP ON REELS.
- 2 TIN PLATE 0.00381 [.000150] MIN OVER 0.00254 [.000100] MIN THK COPPER OR TIN PLATE 0.00381 [.000150] MIN OVER 0.00127 [.000050] MIN THK NICKEL.
- 3 LOOSE PIECE.
- 4 BRASS
- 5 BRASS, SPECIAL HARD



1	5	1217126-4
3	4	1217126-2
1	4	1217126-1
PART FORM	MATERIAL	PART NO.

THIS DRAWING IS A CONTROLLED DOCUMENT.		DWN	JR RUTH	28MAR01	STE TE Connectivity		
DIMENSIONS: INCHES		CHK	MS FEHER	28MAR01			
TOLERANCES UNLESS OTHERWISE SPECIFIED:		APVD	N DEIBERT	28MAR01	PRODUCT SPEC -		
0 PLC ± -		APPLICATION SPEC		114-2115			
1 PLC ± -		WEIGHT					A3 00779 C-1217126
2 PLC ± 0.25 [.010]		CUSTOMER DRAWING		SCALE 6:1 SHEET 1 OF 1 REV E3			
3 PLC ± -		FINISH					RESTRICTED TO
4 PLC ± -		2		-			
ANGLES ± -		SEE TABLE					-
MATERIAL							