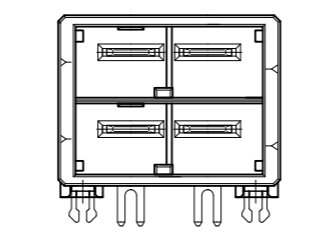
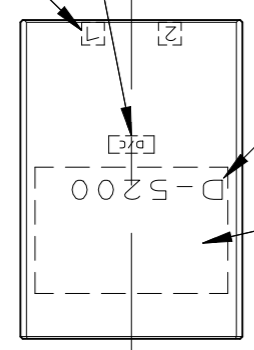


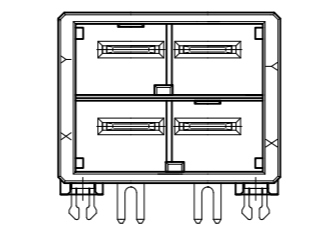
THIS DRAWING IS UNPUBLISHED. RELEASED FOR PUBLICATION
 © COPYRIGHT 1997 By Tyco Electronics Japan G.K. ALL RIGHTS RESERVED.

LOC	DIST	REVISIONS					
J	—	P	LTR	DESCRIPTION	DATE	DWN	APVD
			E	REVISED	08MAR2021	M.J	E.I

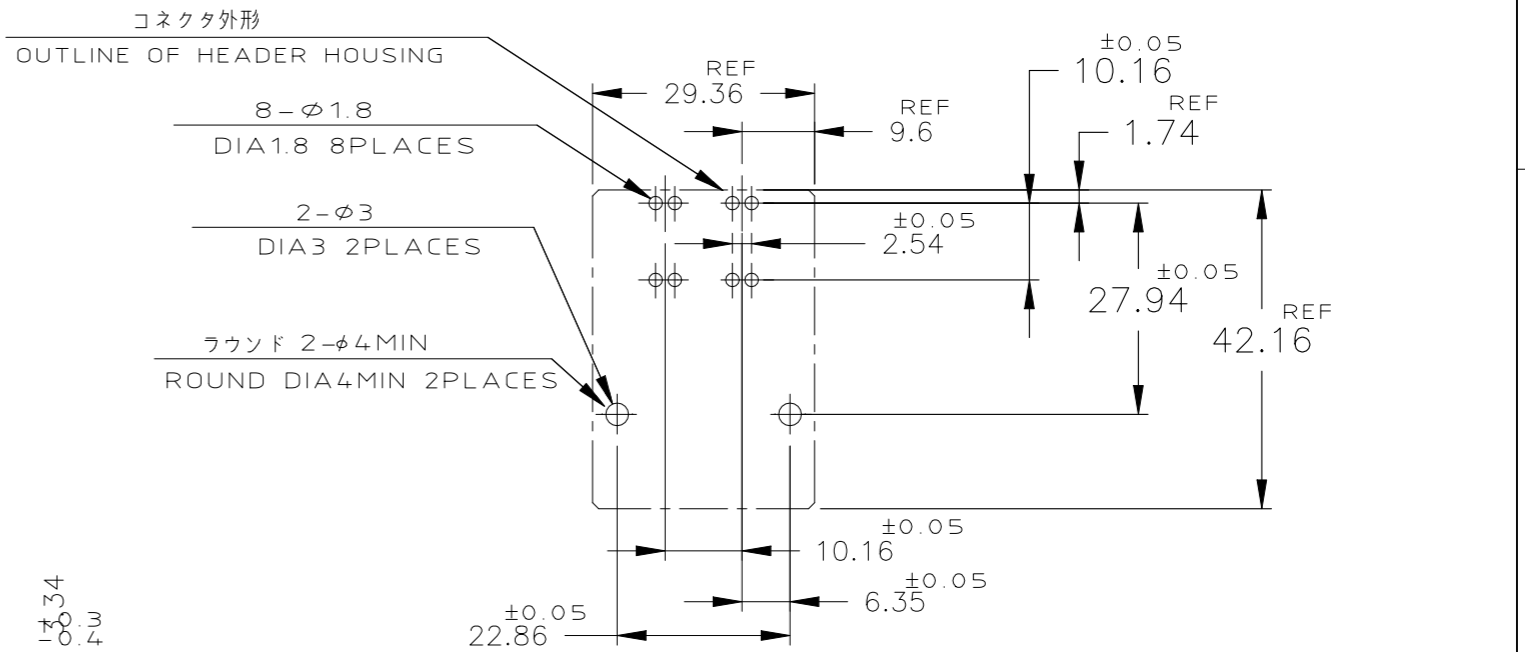
回路番号 CIRCUIT NO
 デートコード DATE CODE
 シリズマーク SERIES MARK
 COMPANY LOGO



2-1123309-2,3
(KEYING:YY)

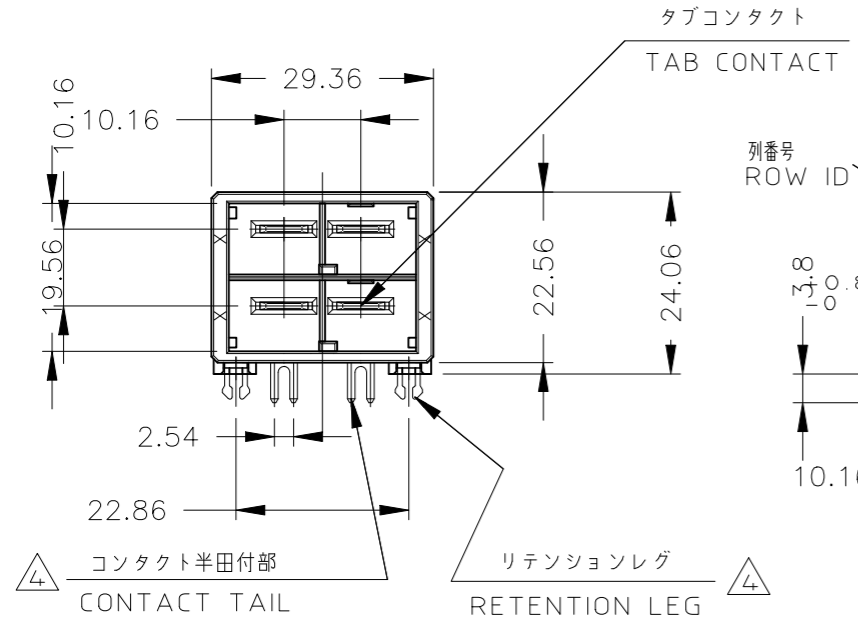


3-1123309-2,3
(KEYING:XY)

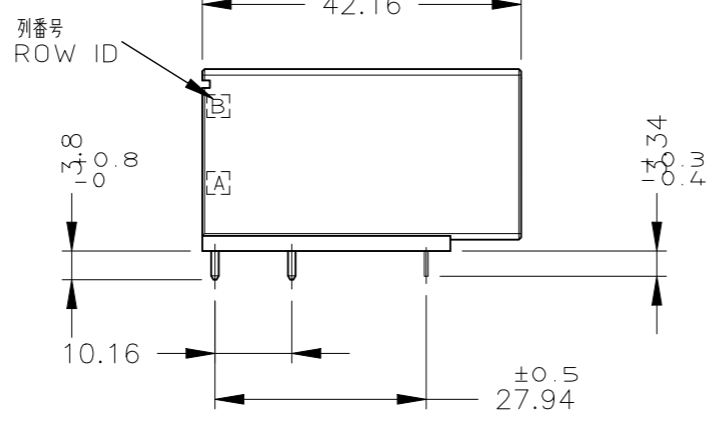


推奨基板取付け穴寸法 (公差: ±0.05)
 PC 基板厚: 1.6 ~ 2.4 ± 0.1 (コネクタ搭載面)
 RECOMENDED PC BOARD HOLE PATTERN (TOL: ±0.05)
 PC BOARD THICKNESS: 1.6 ~ 2.4 ± 0.1 (CONNECTOR MOUNT SIDE)

矢視 "A"
 VIEW "A"



1-1123309-2,3
(KEYING:XX)



矢視 "A"
 VIEW "A"

- 1. MATERIAL: HOUSING: GLASS FILED THERMO PLASTIC, POLYESTER (94V-0), COLOR: BLACK
 TAB CONTACT: COPPER ALLOY
 RETENTION LEG: BRASS
- △2. FINISH (CONTACT AREA): 0.38 μm MIN GOLD PLATING OVER Ni PLATING
- △3. FINISH (CONTACT AREA): 0.76 μm MIN GOLD PLATING OVER Ni PLATING
- △4. FINISH (RETENTION LEG): TIN PLATED (CONTACT TAIL) OVER NICKEL
- △5. OBSOLETE PARTS: OBSOLETE CIS STREAMLINING PER D.RENAUD/D.SINISI
- △6. FINISH (CONTACT AREA): ALL OVER 2.54 μm MIN SILVER PLATING OVER Ni PLATING

- 1. 材料: ハウジング: ガラス入り熱可塑性ポリエステル樹脂 (94V-0)、色: 黒
 : タブコンタクト: 銅合金
 : リテンションレグ: 黄銅
- △2. めっき: コンタクト: 全面Ni下地 接触部: 0.38 μm MIN 金めっき
- △3. めっき: コンタクト: 全面Ni下地 接触部: 0.76 μm MIN 金めっき
- △4. めっき: リテンションレグとコンタクト半田付部
 : ニッケル下地の上にスズめっき
- △6. めっき: コンタクト: 全面Ni下地の上に 2.54 μm MIN 全面銀めっき

XY	△4	△3	3-1123309-3	OBSOLETE △5
	△4	△2	3-1123309-2	
YY	△4	△3	2-1123309-3	OBSOLETE △5
	△4	△2	2-1123309-2	
XX	△4	△6	1-1123309-4	
	△4	△3	1-1123309-3	
	△4	△2	1-1123309-2	
KEY TYPE	コンタクトのめっき (FINISH)		製品番号 (PART NO.)	

THIS DRAWING IS A CONTROLLED DOCUMENT.

DIMENSIONS: mm	TOLERANCES UNLESS OTHERWISE SPECIFIED:	DWN K.IKEDA 07NOV1997	TE Connectivity DOUBLE ROW HEADER ASSY 4P H-TYPE DYNAMIC D-5200 D
	0 PLC ± 102 ± 0.3 1 PLC ± 302 > 10 ± 0.35 2 PLC ± 1002 > 30 ± 0.4 3 PLC ± 4 PLC ± ANGLES ± 3°	CHK N.MATSUBARA 26NOV1997	
		APVD S.MANABE 10DEC1997	
		PRODUCT SPEC 108-5453	
MATERIAL SEE NOTE	FINISH SEE NOTE	APPLICATION SPEC 114-5246	NAME
		WEIGHT	SIZE CAGE CODE DRAWING NO RESTRICTED TO
		CUSTOMER DRAWING	A3 00779 C-1123309
		SCALE 1:1	SHEET 1 OF 2 REV E

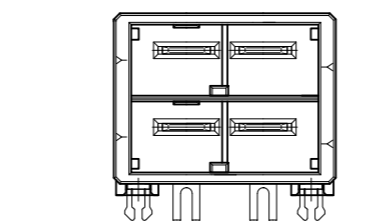
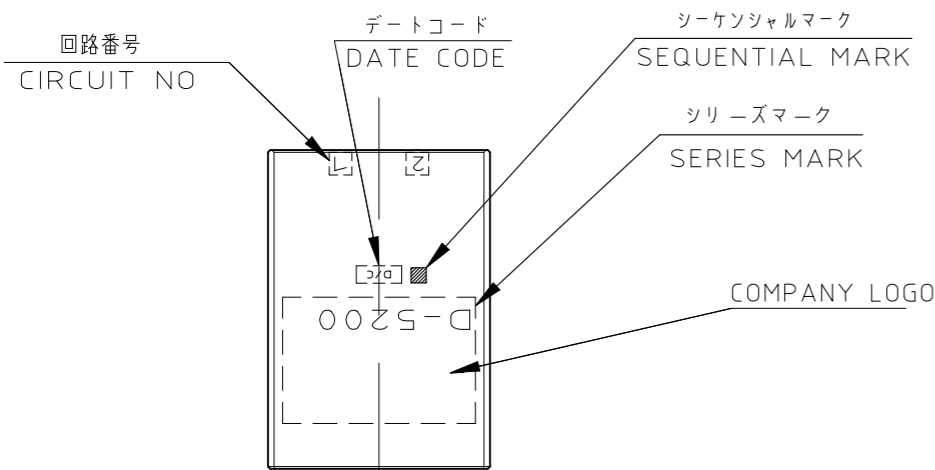
THIS DRAWING IS UNPUBLISHED.

RELEASED FOR PUBLICATION

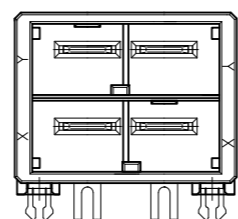
ALL RIGHTS RESERVED.

© COPYRIGHT 1997 By Tyco Electronics Japan G.K.

LOC	DIST	REVISIONS					
J	-	P	LTR	DESCRIPTION	DATE	DWN	APVD
		-		SEE SHEET 1	-	-	-

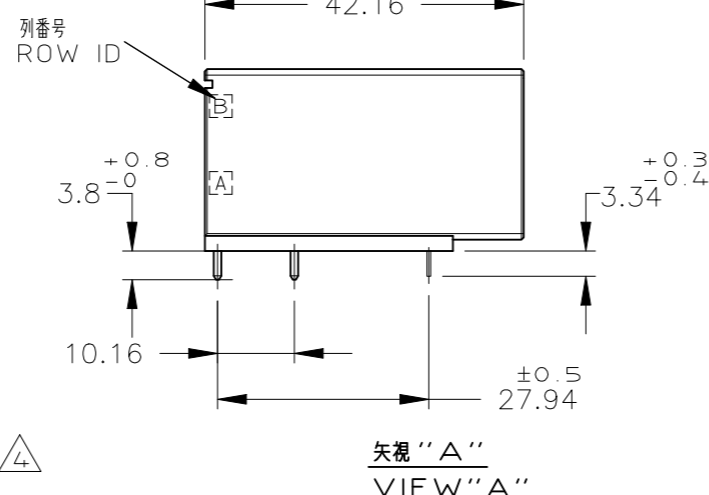
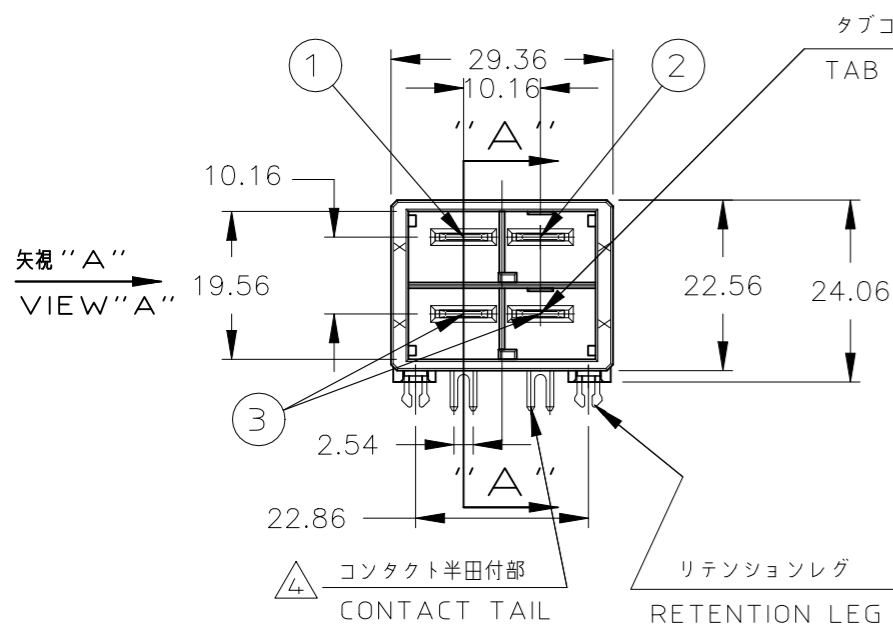


5-1123309-2
(KEYING:YY)



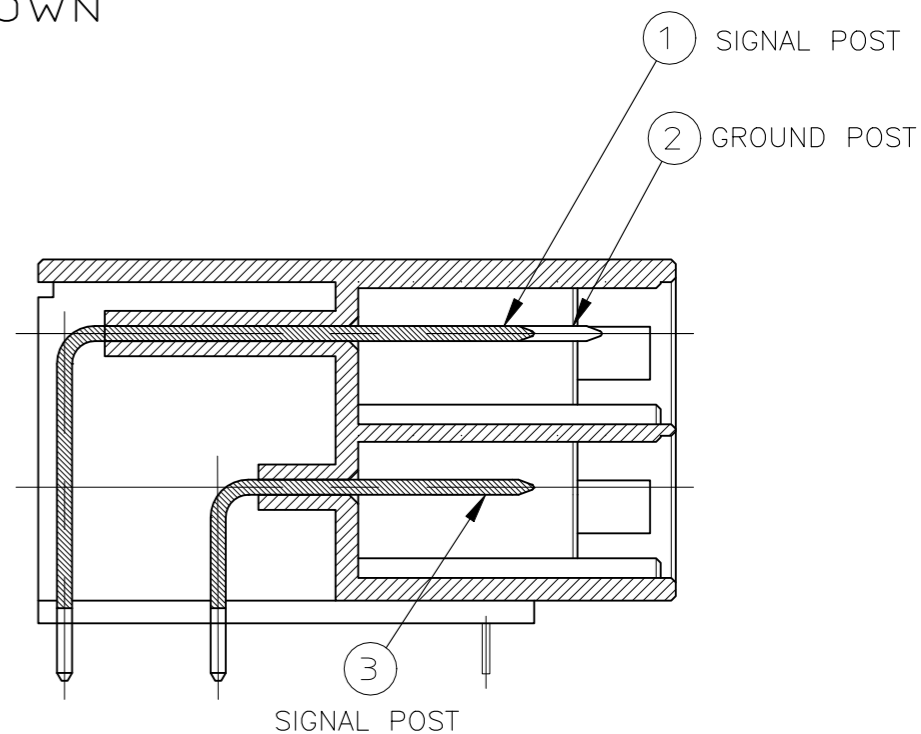
5-1123309-2
(KEYING:XY)

5,8,9-1123309-2;AS SHOWN
SEQUENTIAL TYPE

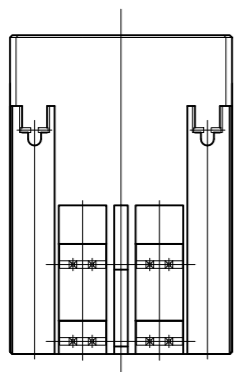


	回路番号	
	1	2
B 列	① Signal	② Ground
A 列	③ Signal	③ Signal

POINT OF SEQUENTIAL



8-1123309-2
(KEYING:XX)



1. MATERIAL:HOUSING:GLASS FILED THERMO PLASTIC
,POLYESTER(94V-0),COLOR:BLACK
TAB CONTACT:COPPER ALLOY
RETENTION LEG:BRASS

- ② FINISH(CONTACT AREA):0.38μmMIN GOLD PLATING OVER Ni PLATING
- ③ FINISH(CONTACT AREA):0.76μmMIN GOLD PLATING OVER Ni PLATING
- ④ FINISH(RETENTION LEG): TIN PLATED (CONTACT TAIL) OVER NICKEL
- ⑤ OBSOLETE PARTS : OBSOLETE CIS STREAMLINING PER D.RENAUD/D.SINISI

1. 材料:ハウジング : ガラス入り熱可塑性ポリエステル樹脂(94V-0)、色:黒
:タブコンタクト : 銅合金
:リテンションレグ : 黄銅

- ② めっき:コンタクト:全面Ni下地 接触部 :0.38μm MIN 金めっき
- ③ めっき:コンタクト:全面Ni下地 接触部 :0.76μm MIN 金めっき
- ④ めっき:リテンションレグとコンタクト半田付部 : ニッケル下地の上にスズめっき

XY	④ ②	5-1123309-2	⑤ OBSOLETE
YY	④ ②	9-1123309-2	
XX	④ ②	8-1123309-2	
KEY TYPE	コンタクトのめっき (FINISH)	製品番号 (PART NO.)	

THIS DRAWING IS A CONTROLLED DOCUMENT.		DWN K.IKEDA 07NOV1997	TE Connectivity	
DIMENSIONS: mm		CHK N.MATSUBARA 26NOV1997		
TOLERANCES UNLESS OTHERWISE SPECIFIED: 0 PLC ± 10 ₂ ± 0.3 1 PLC ± 30 ₂ > 10 ± 0.35 2 PLC ± 100 ₂ > 30 ± 0.4 3 PLC ± 4 PLC ANGLES ± 3°		APVD S.MANABE 10DEC1997	NAME DOUBLE ROW HEADER ASSY 4P H-TYPE DYNAMIC D-5200 D	
MATERIAL SEE NOTE		PRODUCT SPEC 108-5453	DRAWING NO A3 00779 C-1123309	
FINISH SEE NOTE		APPLICATION SPEC 114-5246	RESTRICTED TO	
CUSTOMER DRAWING		WEIGHT	SCALE 1:1	SHEET 2 OF 2
			REV E	