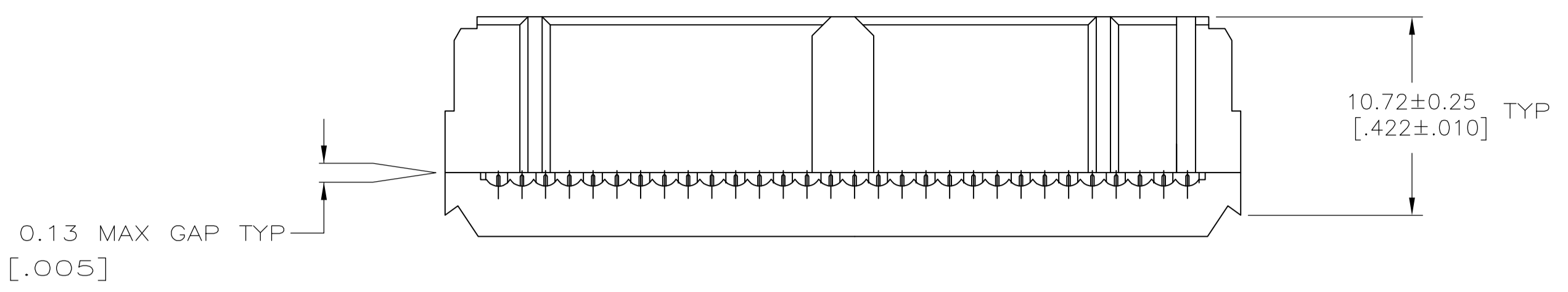
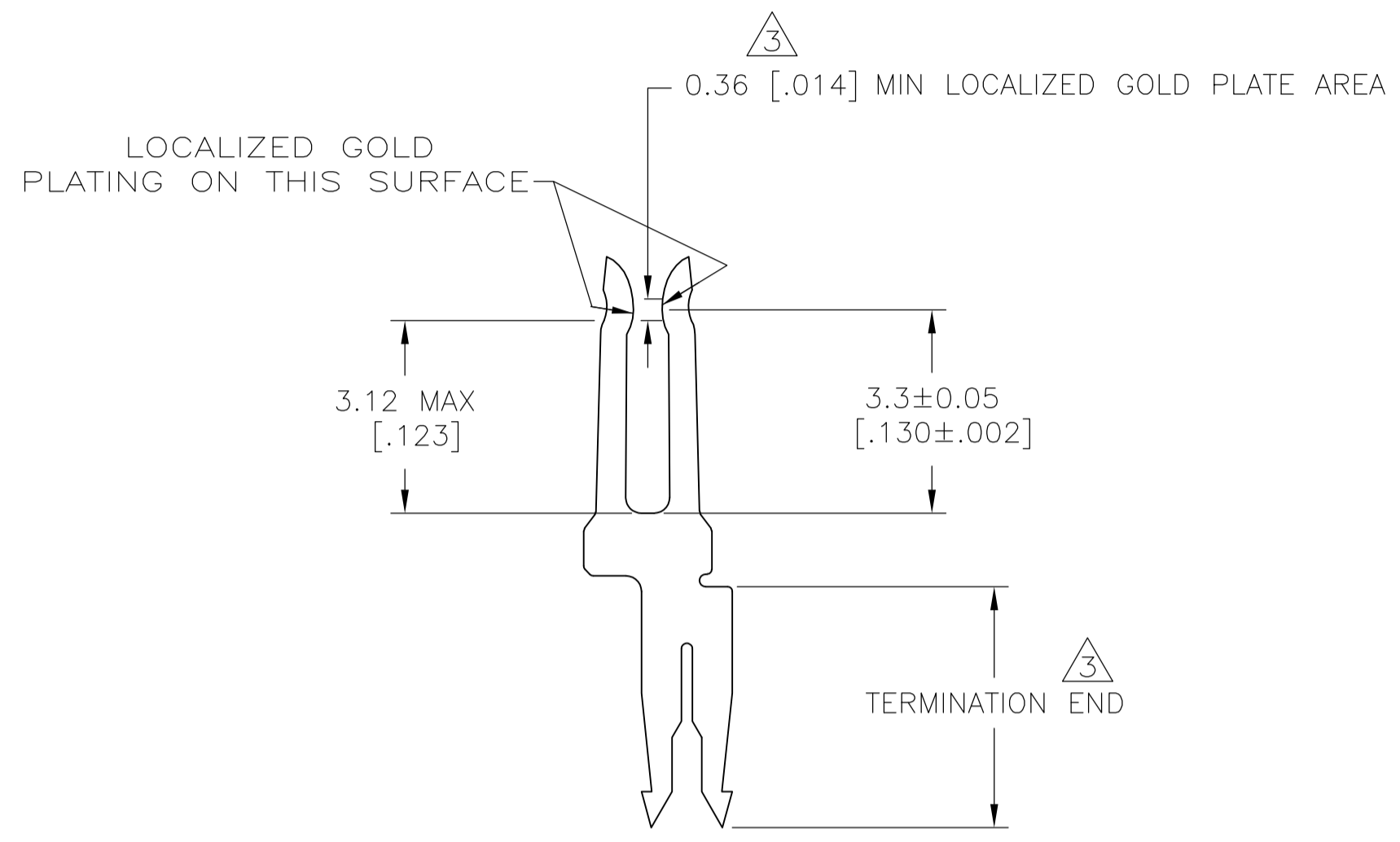
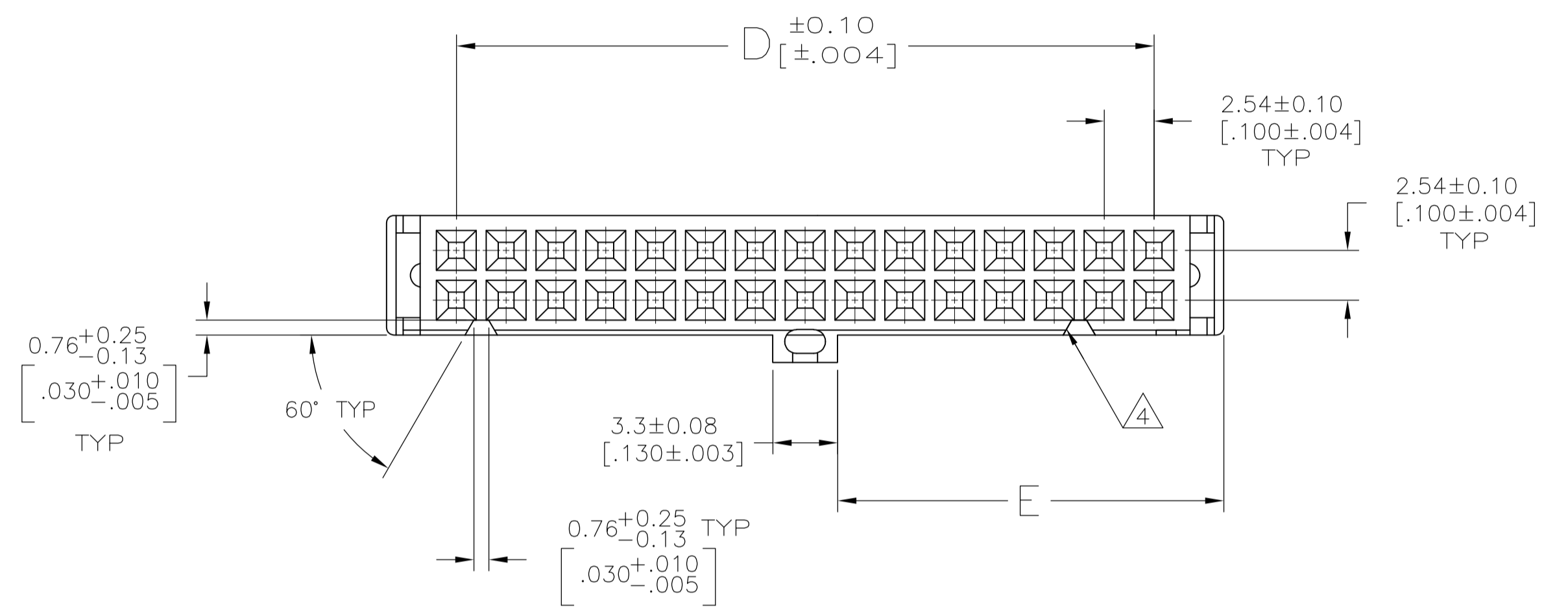


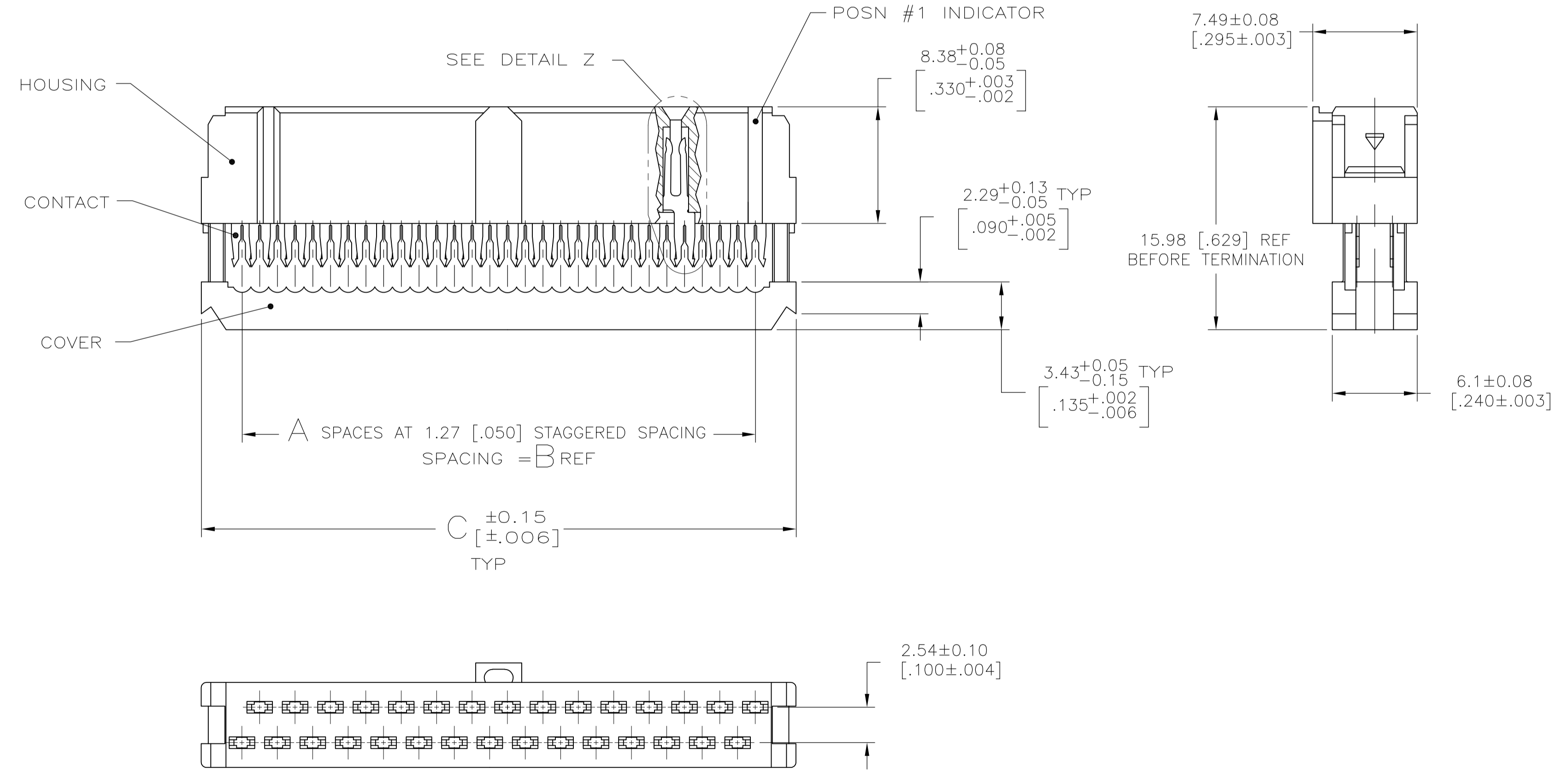
- ① MOLDED PARTS: UL RATED 94V-0 THERMOPLASTIC, BLACK.
- ② CONTACTS: PHOSPHOR BRONZE PER QQ-B-750.
- ③ CONTACTS: .000005 MIN GOLD ON LOCALIZED GOLD PLATE AREA, .000100 MIN TIN ON TERMINATION END, ALL OVER .000050 MIN NICKEL ON ENTIRE CONTACT.
- ④ POLARIZING FEATURE DOES NOT EXIST ON SAME END AS THE POSITION NUMBER 1 INDICATOR ON 10 AND 14 POSITION PRODUCT.



TERMINATED VIEW



DETAIL Z
SCALE 10:1
TYPICAL



28.58 [1.125]	53.34 [2.100]	60.45 [2.380]	54.61 [2.150]	43	44	1-111556-3
41.28 [1.625]	78.74 [3.100]	85.85 [3.380]	80.01 [3.150]	63	64	1-111556-2
38.74 [1.525]	73.66 [2.900]	80.77 [3.180]	74.93 [2.950]	59	60	1-111556-1
32.38 [1.275]	60.96 [2.400]	68.07 [2.680]	62.23 [2.450]	49	50	1-111556-0
26.04 [1.025]	48.26 [1.900]	55.37 [2.180]	49.53 [1.950]	39	40	111556-9
22.22 [.875]	40.64 [1.600]	47.75 [1.880]	41.91 [1.650]	33	34	111556-8
19.68 [.775]	35.56 [1.400]	42.67 [1.680]	36.83 [1.450]	29	30	111556-7
17.14 [.675]	30.48 [1.200]	37.59 [1.480]	31.75 [1.250]	25	26	111556-6
15.88 [.625]	27.94 [1.100]	35.05 [1.380]	29.21 [1.150]	23	24	111556-5
13.34 [.525]	22.86 [.900]	29.97 [1.180]	24.13 [.950]	19	20	111556-4
10.800 [.425]	17.78 [.700]	24.89 [.980]	19.05 [.750]	15	16	111556-3
9.52 [.375]	15.24 [.600]	22.35 [.880]	16.51 [.650]	13	14	111556-2
6.98 [.275]	10.16 [.400]	17.27 [.680]	11.43 [.450]	9	10	111556-1
E	D	C	B	A	NO OF POSITION	PART NO

THIS DRAWING IS A CONTROLLED DOCUMENT.

DIMENSIONS: mm [INCHES]	TOLERANCES UNLESS OTHERWISE SPECIFIED:	0 PLC ± -	1 PLC ± -	2 PLC ± 0.13 [.005]	3 PLC ± -	4 PLC ± -	ANGLES ± -	FINISH	
APPROVED: J. STINE		DATE: 2-21-91		NAME: J. STINE		PRODUCT SPEC: 108-40000		APPLICATION SPEC: 114-40005	
MATERIAL: ① ②		FINISH: ③		WEIGHT: -		SIZE: A1		CAGE CODE: 00779	
CUSTOMER DRAWING		SCALE: 4:1		SHEET: 1 OF 1		REV: D		RESTRICTED TO: -	

Tyco Electronics Corporation
Harrisburg, PA 17105-3608

RECEPTACLE ASSY, CTR & MIL PLZN, W/O STRAIN RLF, NOVO, AMP-LATCH