

THIS DRAWING IS UNPUBLISHED.

RELEASED FOR PUBLICATION

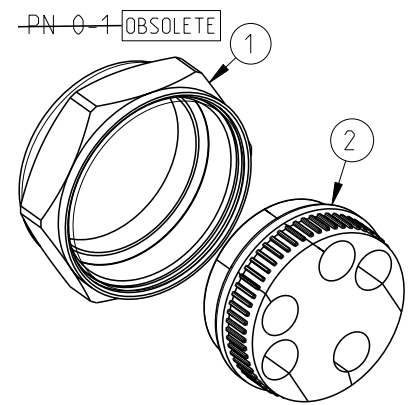
2000

REVISIONS

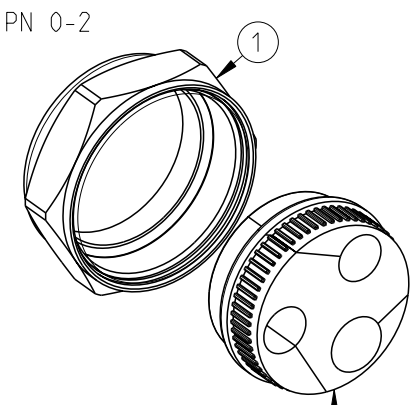
© COPYRIGHT 2000 BY -

ALL RIGHTS RESERVED.

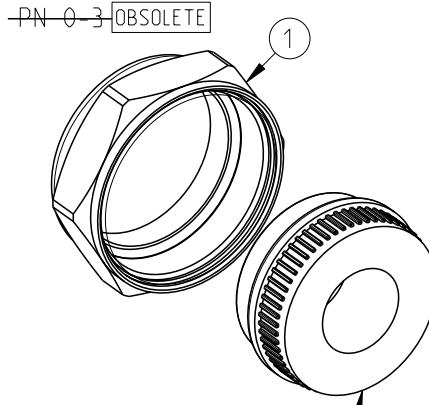
P	LTR	DESCRIPTION	DATE	DWN	APVD
A7		REVISED PER ECR-16-016780	29AUG2017	NG	MKO



SCALE 1:2

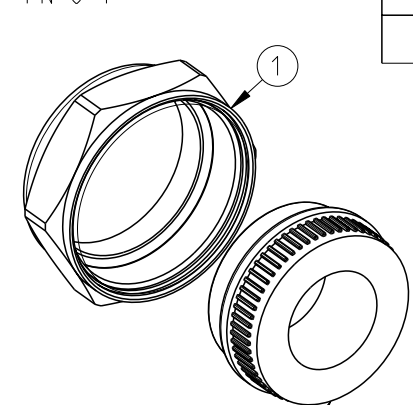


SCALE 1:2

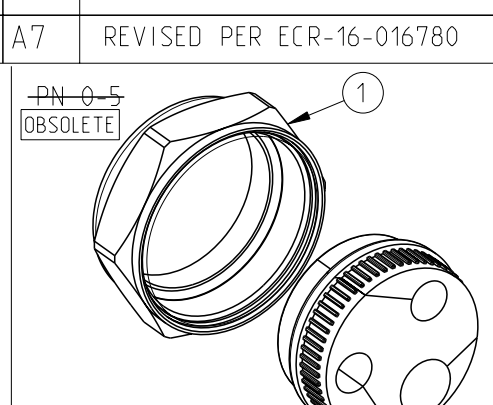


SCALE 1:2

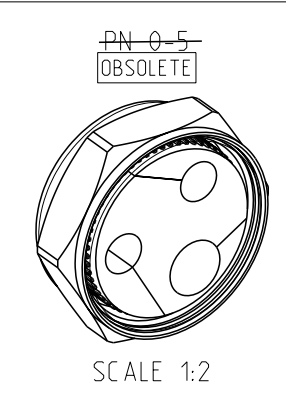
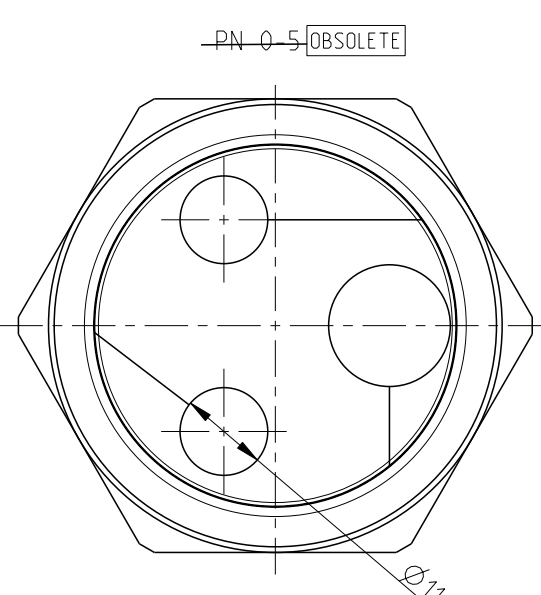
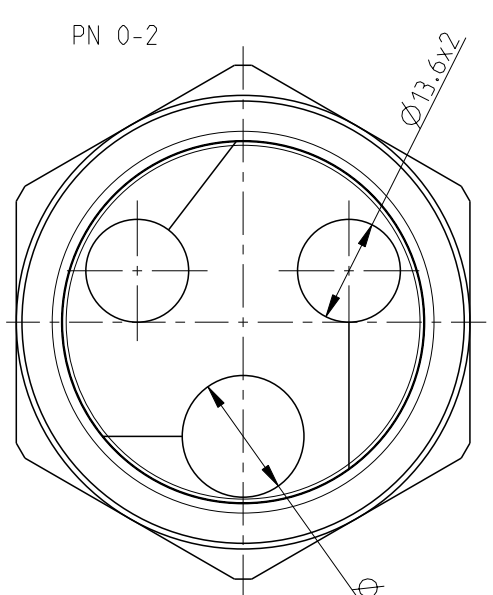
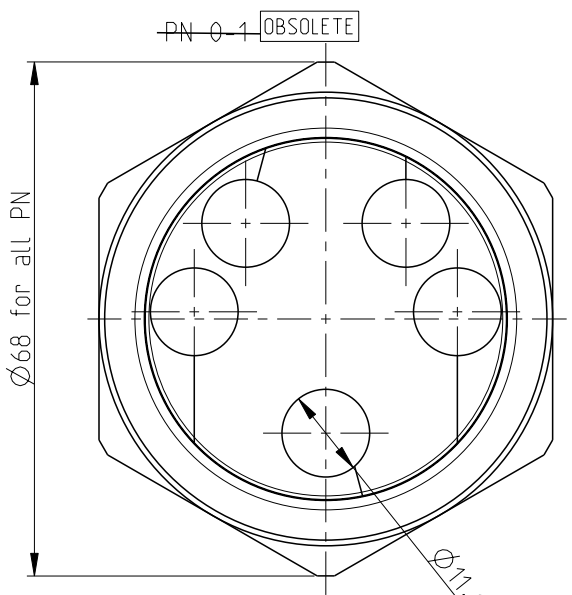
~~OBSOLETE~~
~~PN 0-4~~



SCALE 1:2

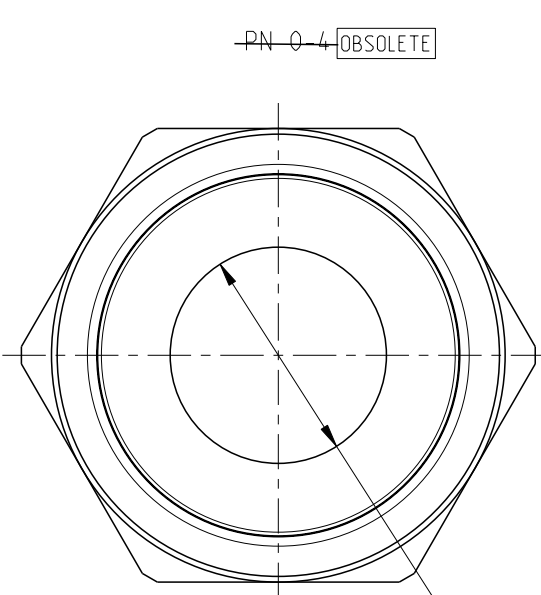
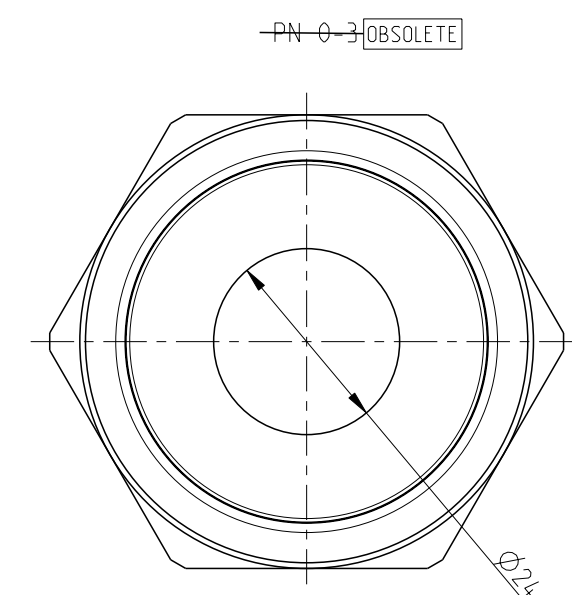
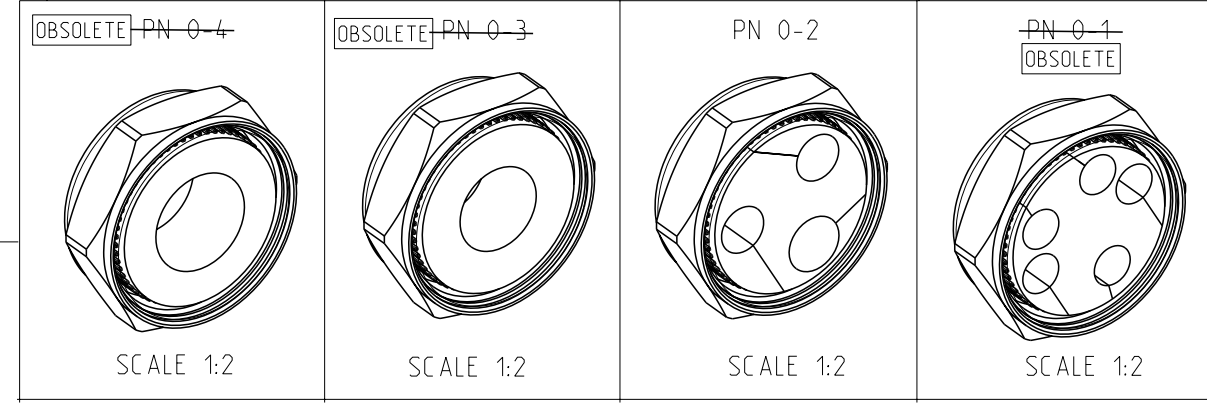


SCALE 1:2



SCALE 1:2

- NOTES
- 1 MATERIAL: SEE TABLE
 - 2 SURFACE, COLOR: SEE TABLE
 - 3 PACKAGING: 10 PIECES IN CARTON



QTY	DESCRIPTION	MATERIAL	SURFACE	COLOR	NOTE	ITEM NO
1	CABLE SEAL	TPV-E		GREY		2
1	SLEEVE NUT M55x1.5	PA6.6-GF25		BLACK		1

THIS DRAWING IS A CONTROLLED DOCUMENT.

DWN 21.02.2006
SCHNEIDER

CHK 21.02.2006
H.J.BAUM

APVD 21.02.2006
T.SCHNURPFIL

PRODUCT SPEC 108-74070

APPLICATION SPEC 114-74049

WEIGHT

CUSTOMER DRAWING

DIMENSIONS: mm

TOLERANCES UNLESS OTHERWISE SPECIFIED:

0 PLC	±
1 PLC	±
2 PLC	±
3 PLC	±
4 PLC	±
ANGLES	±
FINISH	±

TE TE Connectivity

NAME SEAL SET SERIES TWC.2+1

SIZE A3	CAGE CODE 00779	DRAWING NO C-1108790	RESTRICTED TO -
---------	-----------------	----------------------	-----------------

SCALE 1:1 SHEET 1 OF 1 REV A7