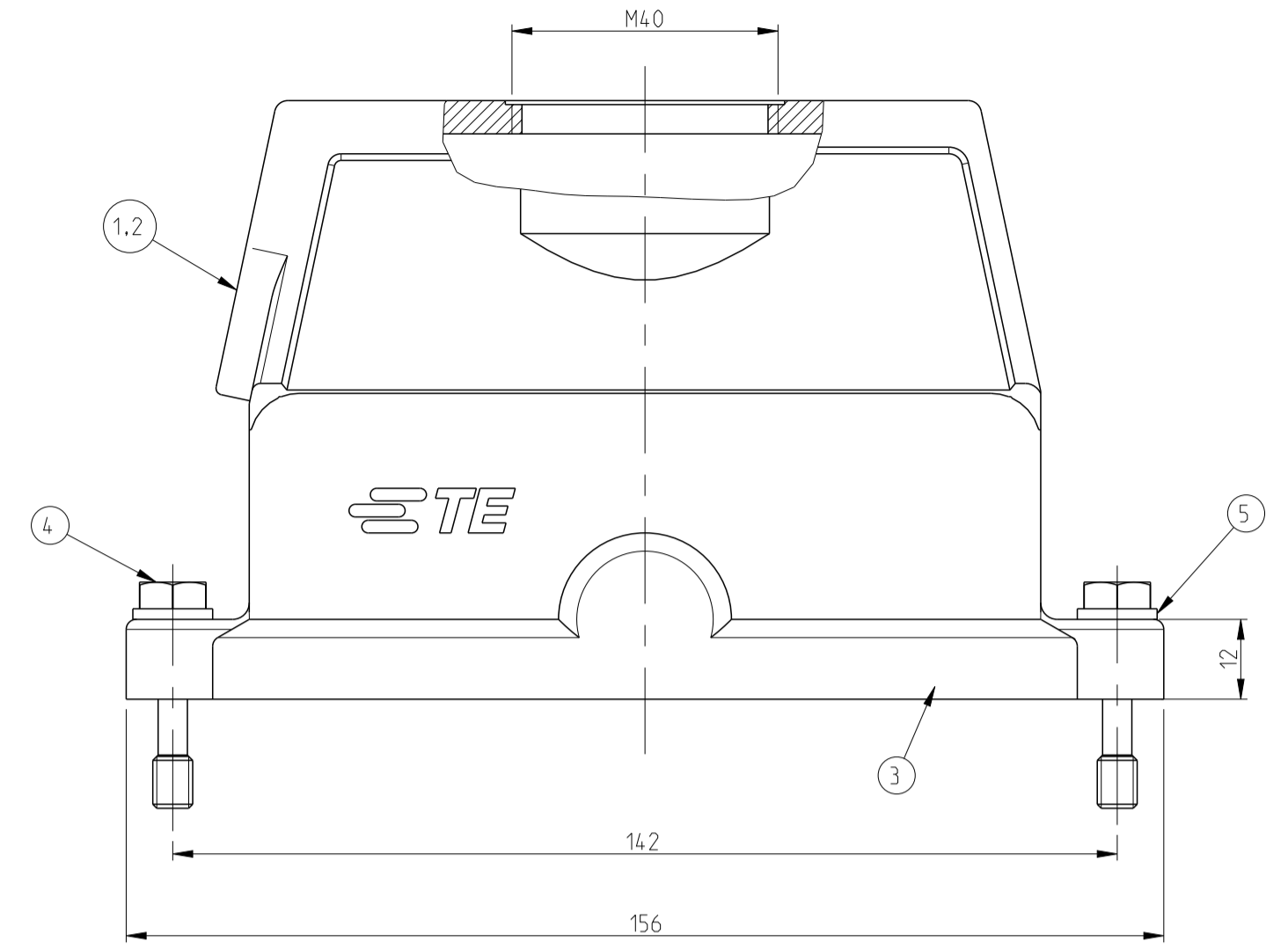
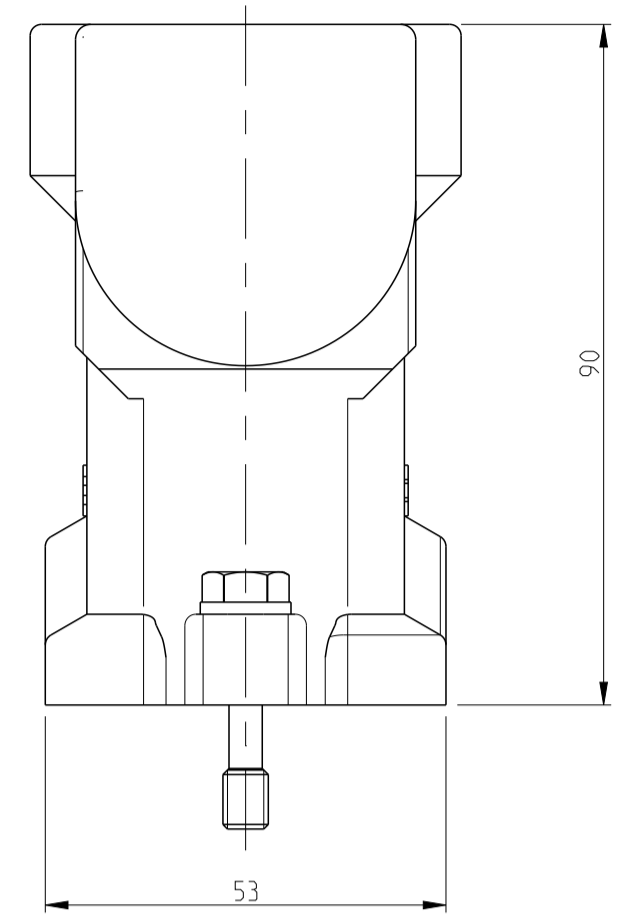


REVISIONS					
P.	LTR.	DESCRIPTION	DATE	DWN.	APVD.
A8		REVISED PER ECR-16-016780	19SEP2017	NG	MKO
A9		REVISED PER ECR-21-123577	21MAR2022	RK	JB

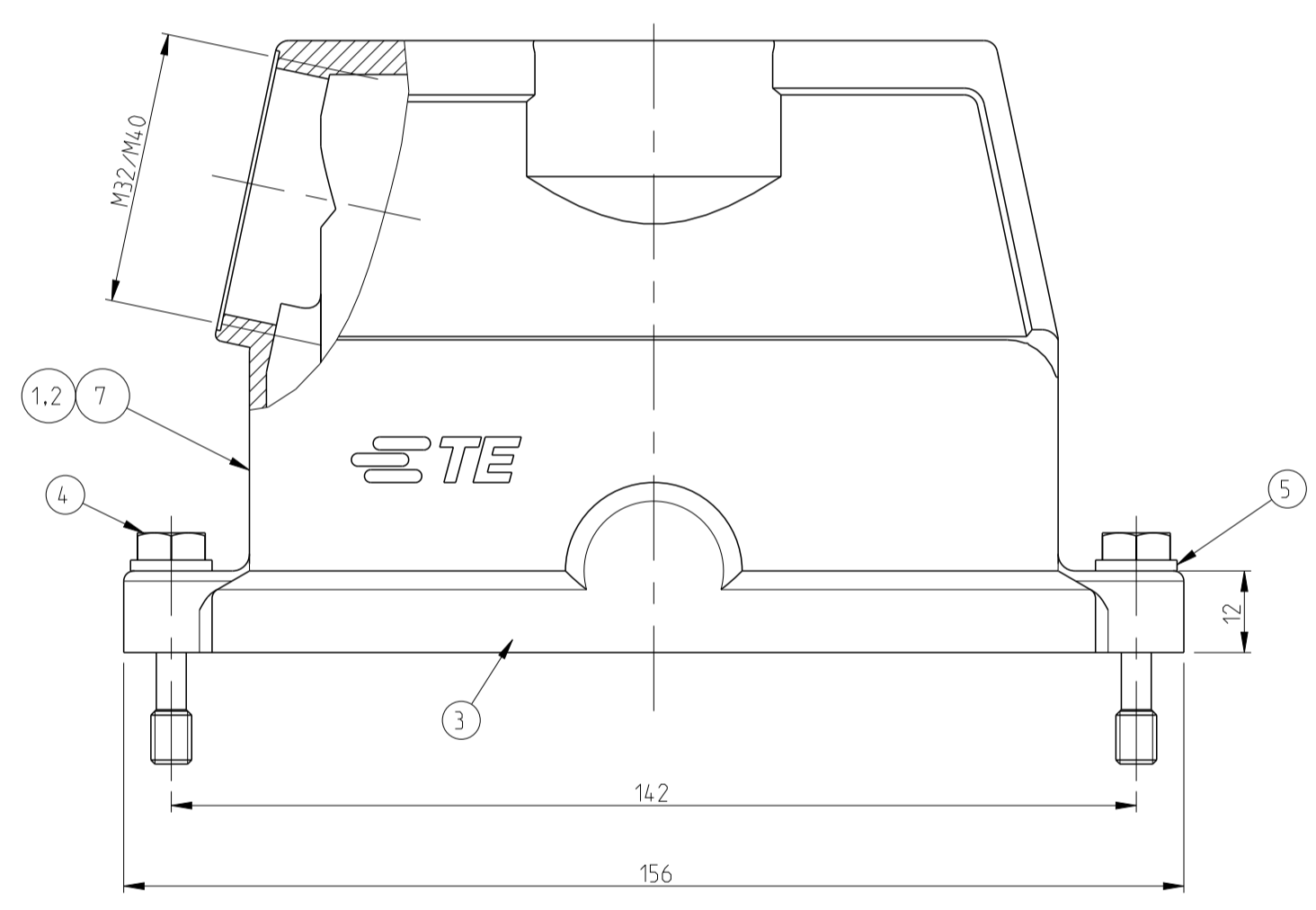


PN 0-1, 0-3 & 0-5

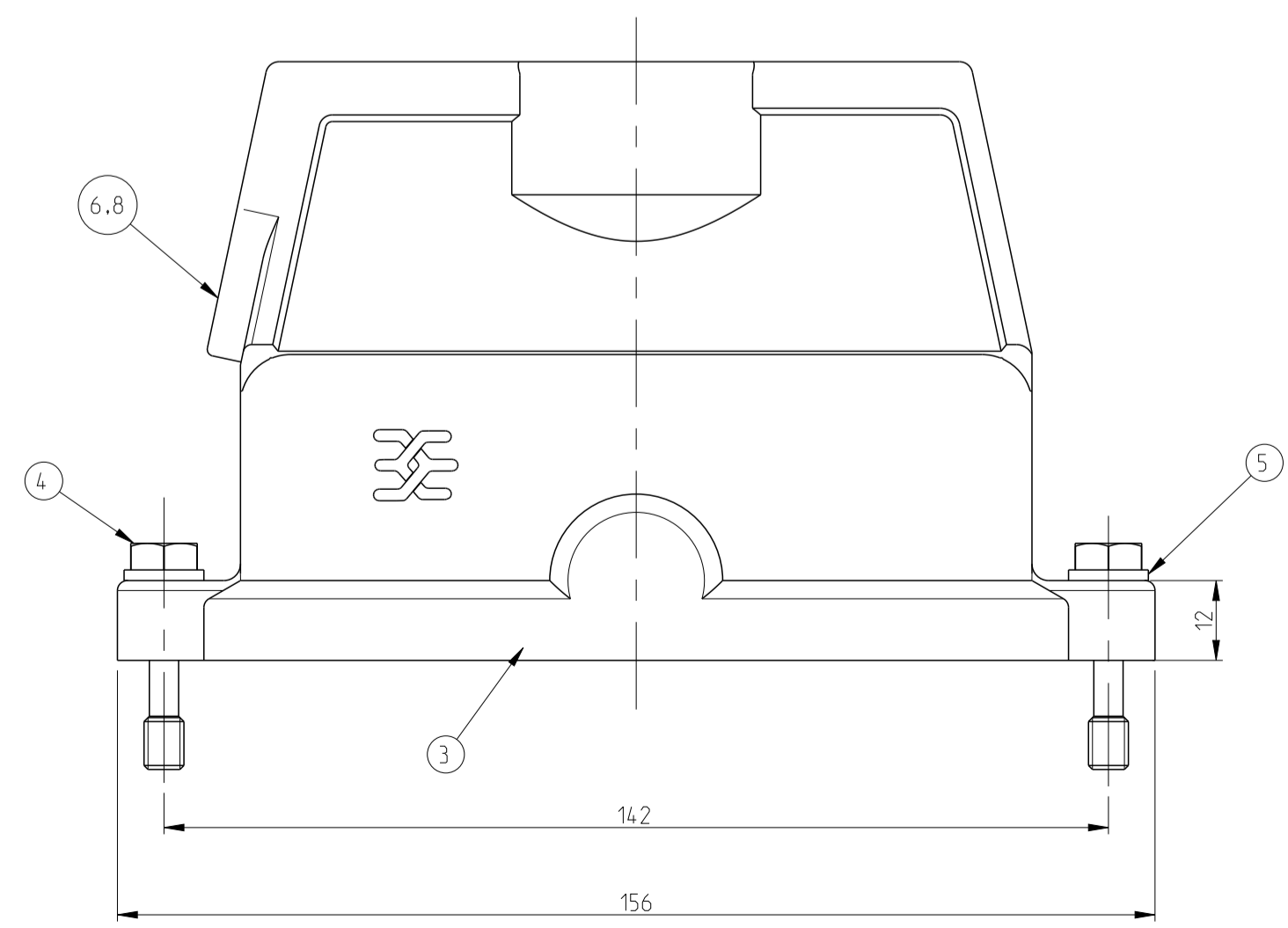
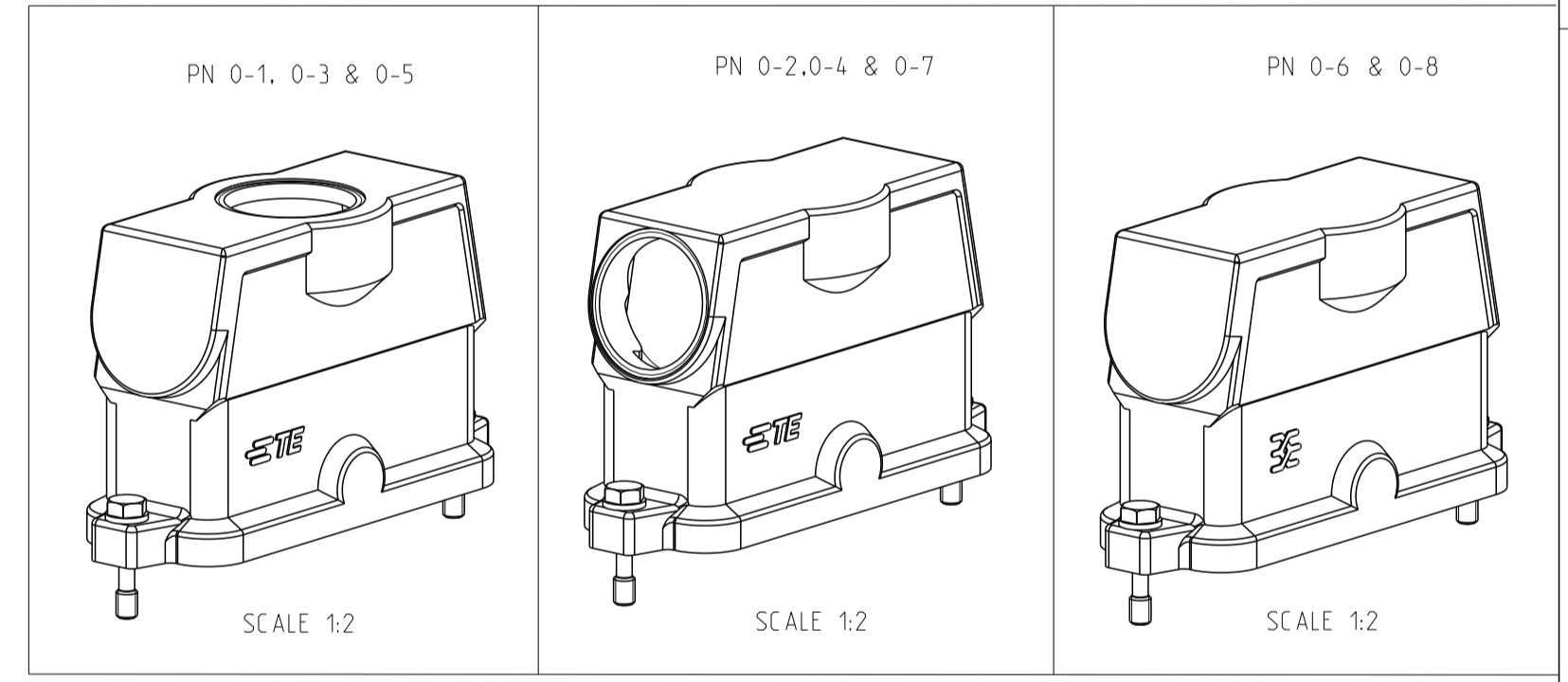
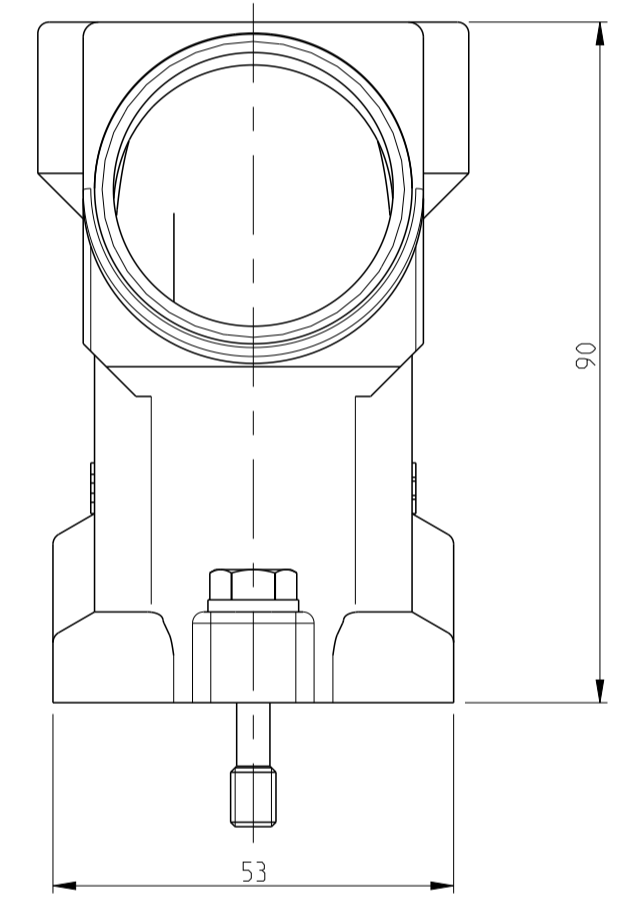


NOTES

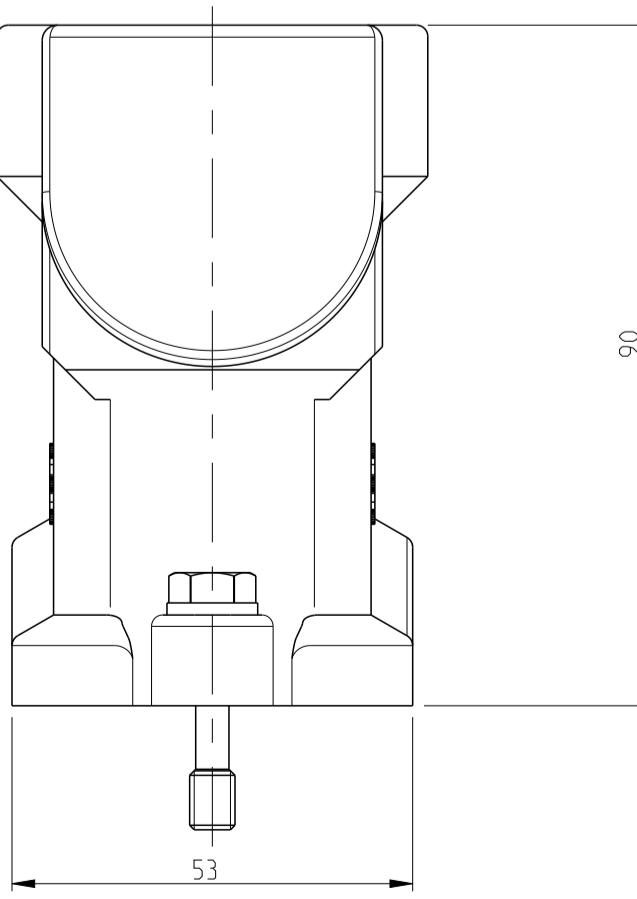
- Material: Housing: Aluminum diecasting alloy  
seals: Neoprene
- Surface:- Aluminium oxide + Varnish Black  
-Grey
- Varnish on the inside not necessary
- Special- Logo
- Packaging quantity 5 pieces in a box



PN 0-2,0-4 & 0-7



PN 0-6 & 0-8



OBSOLETE		OBSOLETE		OBSOLETE		OBSOLETE		OBSOLETE		OBSOLETE		OBSOLETE		OBSOLETE		OBSOLETE		OBSOLETE		OBSOLETE		OBSOLETE		
QTY	REF	QTY	REF	QTY	REF	QTY	REF	QTY	REF	QTY	REF	QTY	REF	QTY	REF	QTY	REF	QTY	REF	QTY	REF	QTY	REF	
1																								
1		1		1		1		1		1		1		1		1		1		1		1		1
2	2	2	2	2	2	2	2	2	2	2	2	2	2	2	2	2	2	2	2	2	2	2	2	2
2	2	2	2	2	2	2	2	2	2	2	2	2	2	2	2	2	2	2	2	2	2	2	2	2
1	1	1	1	1	1	1	1	1	1	1	1	1	1	1	1	1	1	1	1	1	1	1	1	1
0	8	0	7	0	6	0	5	0	4	0	2	0	3	0	1									

DESCRIPTION	MATERIAL	SURFACE	COLOR	ITEM NO	REMARKS
Hood HIP-K	Aluminium	Aluminium oxide	Black	8	Without logo/thread
Hood HIP	Aluminium		Without varnish	7	
Hood HIP-K	Aluminium	Aluminium oxide	Without varnish	6	Without M-Thread
Pane	Stainless steel	Blank		5	B6.4
Fixing screw	Stainless steel	Blank		4	M6x30
Seal	Neoprene		Black	3	
Hood HIP-K	Aluminium	Aluminium oxide	Black	2	
Hood HIP	Aluminium		Grey	1	

ORDERING TEXT	
HIP.24/64.STO.1.M4.0.G	
HIP.24/64.STO.1.M4.0.G	
HIP.24/64.STS.1.M4.0.G	
HIP-K.24/64.STS.1.M4.0.G	
HIP-K.24/64.STS.1.M32.G	
HIP-K.24/64.ST	
HIP.24/64.STS.1.M4.0.G	

THIS DRAWING IS A CONTROLLED DOCUMENT. DWN: Schneider 10.09.02  
 CHK: Schweizer 10.09.02

**STE** TE Connectivity

NAME: Hood  
 HIP.24/64.1.M32/M40.G

PRODUCT SPEC: 108-74030  
 APPLICATION SPEC: 116-74017

SIZE: A1  
 CAGE CODE: 00779  
 DRAWING NO: 1106473

RESTRICTED TO: A9

CUSTOMER DRAWING SCALE: 1:1 SHEET 1 OF 1 REV: A9