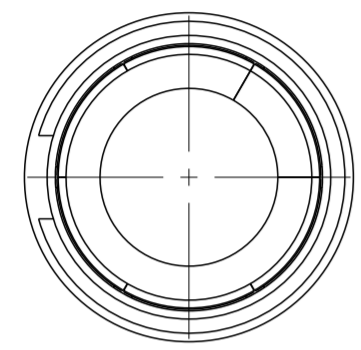


THIS DRAWING IS UNPUBLISHED. RELEASED FOR PUBLICATION 2006
 © COPYRIGHT 2006 ALL RIGHTS RESERVED.

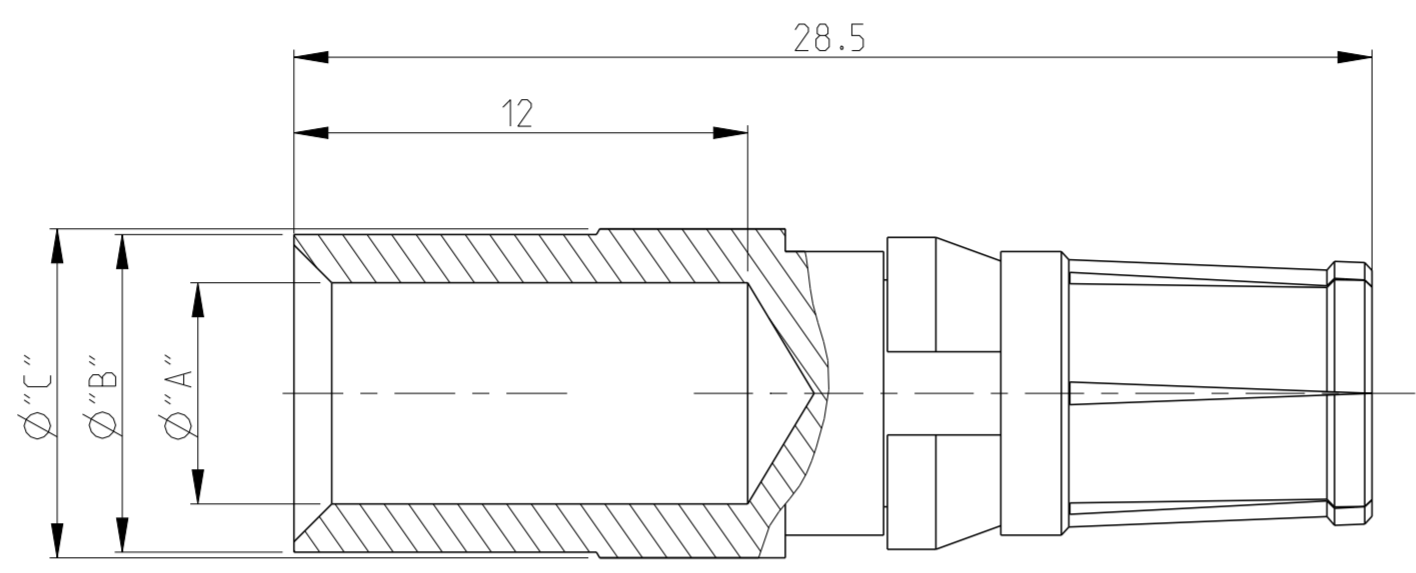
LOC	DIST	REVISIONS					
		P	LTR	DESCRIPTION	DATE	DWN	APVD
B1	-	C5		ECR-14-007793	25AUG2014	RK	MKO
		C6		REVISED PER ECR-16-016780	19AUG2017	NG	MKO
		C7		REVISED PER ECR-19-008419	04 JUN2019	SR	MKO
		C8		REVISED PER ECR-21-123503	12MAR2022	RK	JB

Notes

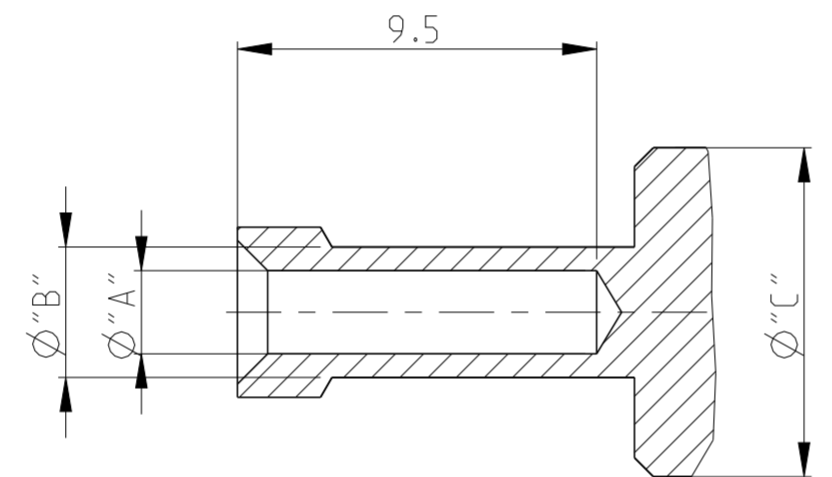
- 1 MATERIAL: BRASS
- 2 FINISH SILVER PLATING: 2 µm Ag MIN. OVER Cu
- 3 FINISH GOLD PLATING: 0.75 µm Au MIN. OVER Ni
- 4 WEIGHT (MAX.): 7.1 g, VOLUME (MAX.): 795mm² (APPROX.)
- 5 SUITABLE PIN CONTACT: CUSTOMER DRAWING 1105150
- 6 SUITABLE INSERTS: SERIES HSS, CUSTOMER DRAWING
- 7 SUITABLE CRIMP TOOL: PN 1-1105850-8
- 8 SUITABLE INSERTION TOOL: -
- 9 SUITABLE EXTRACTION TOOL: PN 0-1102855-5
- 10 FINE WIRE DIA. MAX. Ø4.5
- 11 STANDARDS: DIN EN 61984, DIN EN 60664-1
- 12 PACKAGING: 25 PIECES IN A POLY-BAG
- 13 PACKAGING: 1 PIECE LOOSE



WIRE CROSS-SECTION:
 Ø6mm² - 16mm²



WIRE CROSS-SECTION:
 Ø2.5mm² / 4mm²



STATUS	MATERIAL	PLATING	CROSS SECTION	DIMENSIONS	STRIPPING-LENGTH	WITH CLIP
OBSOLETE	HSS-C-Bu.Au.16.0 mm ²	GOLD	16.0	5.85 8.4 8.7	12	9-3
OBSOLETE	HSS-C-Bu.Au.10.0 mm ²	GOLD	10.0	4.35 5.9 8.7	12	9-2
	HSS-C-Bu.Au.6.0 mm ²	GOLD	6.0	3.5 4.9 8.7	12	9-1
	HSS-C-Bu.Ag.25.0 mm ²	SILVER	25.0	7.0 9.45 9.6	12	8-7
	HSS-C-Bu.Ag.16.0 mm ²	SILVER	16.0	5.85 8.4 8.7	12	8-6
10 OBSOLETE	HSS-C-Bu.Ag.10.0 mm ² -fine	SILVER	10.0	4.6 5.9 8.7	12	8-5
	HSS-C-Bu.Ag.10.0 mm ²	SILVER	10.0	4.35 5.9 8.7	12	8-4
	HSS-C-Bu.Ag.6.0 mm ²	SILVER	6.0	3.5 4.9 8.7	12	8-3
	HSS-C-Bu.Ag.4.0 mm ²	SILVER	4.0	2.8 3.9 8.7	12	8-2
	HSS-C-Bu.Ag.2.5 mm ²	SILVER	2.5	2.2 3.45 8.7	12	8-1
			[MM ²]	"A" "B" "C"	[MM]	PN PN
	ORDERING TEXT	PLATING	CROSS SECTION	DIMENSIONS	STRIPPING-LENGTH	WITH CLIP

PARTS LIST

THIS DRAWING IS A CONTROLLED DOCUMENT.		DWN K. SCHROEDER 10APR2008	TE Connectivity	
DIMENSIONS: mm		CHK H. BRAUN 10APR2008		
TOLERANCES UNLESS OTHERWISE SPECIFIED:		APVD T. SCHNURPFEL 10APR2008	NAME SOCKET CONTACT SERIES HSS	
0 PLC ±	1 PLC ±	PRODUCT SPEC 108-74016	SIZE A2	CAGE CODE 100779
2 PLC ±	3 PLC ±	APPLICATION SPEC 114-74028	DRAWING NO C-1105151	RESTRICTED TO -
4 PLC ±	ANGLES ±0.5°	WEIGHT -	SCALE 5:1	SHEET 1 OF 1
MATERIAL 1	FINISH 2 3	Customer Drawing	REV C8	

