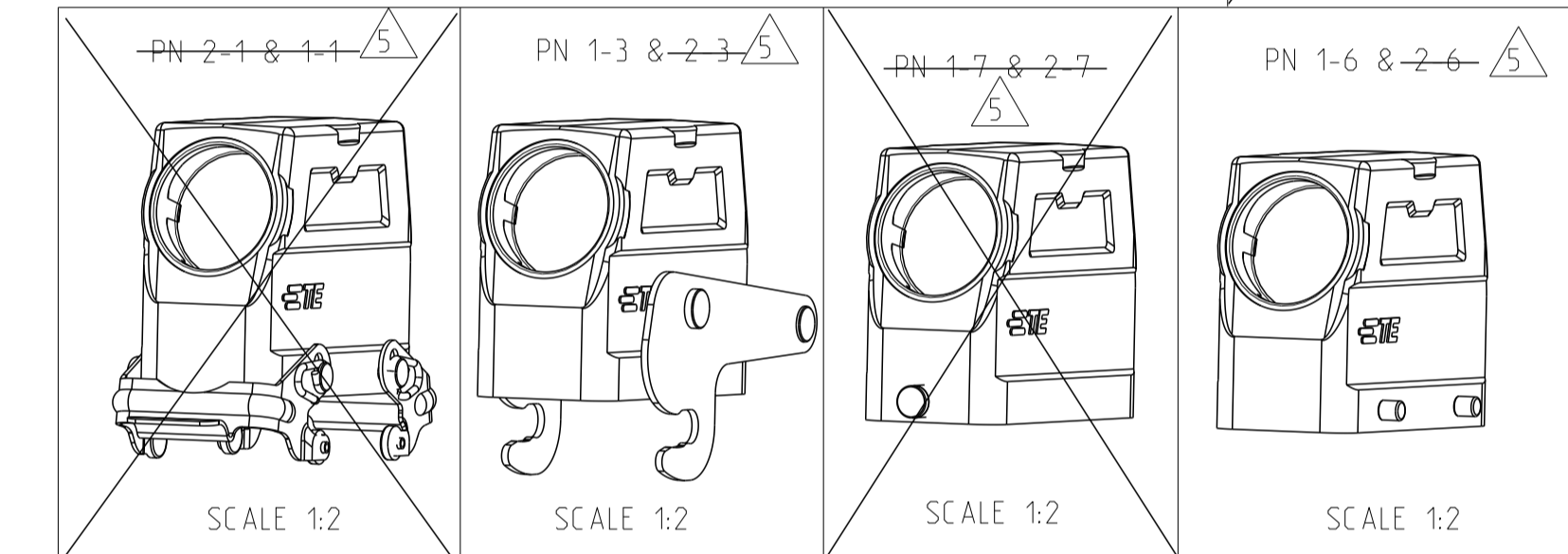
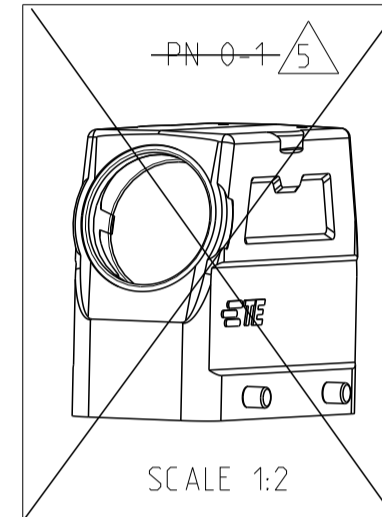


REVISIONS					
P	LTH	DESCRIPTION	DATE	DMN	APVD
A5		Released AS PER ECR-07-012890	09.JUL.2007	SK	TS
A6		REVISED PER ECR-17-014033	04.JAN.2018	SRG	MKO
B		REVISED PER ECR-20-006699	19.MAY.2020	QY	JB

- NOTES
- Material: Housing: aluminium diecasting alloy
  - Surface:- powder varnish-grey  
Varnish black
  - Varnish on the inside not necessarily
  - PACKAGING  
Quantity: 5 PIECES
- OBSOLETE



QTY	REF	DESCRIPTION	MATERIAL	SURFACE	COLOR	ITEM NO	NOTES
1	1	HD/hood	Aluminium	-	Grey	11	For identification plate
		ZB-Central clip	Stainless Steel	Even	-	10	-
	1	ZB-Central clip	Steel	Zinc plated	Blue	9	-
	2	LB-Clip bolt	Stainless Steel	Even	-	8	-
	2	LB-Clip bolt	Steel	Zinc plated	Blue	7	-
	2	VS-Locking clip	Stainless Steel	Even	-	6	-
	2	VS-Locking clip	Steel	Zinc plated	Blue	5	-
	4	VS-Clip bolt	Stainless Steel	Even	-	4	-
4	4	VS-Clip bolt	Steel	Zinc plated	Blue	3	-
1	1	HD-K Hood	Aluminium	Aluminium oxide	Black	2	-
1	1	HD Hood	Aluminium	-	Grey	1	-

QTY	REF	DESCRIPTION	MATERIAL	SURFACE	COLOR	ITEM NO	NOTES
ORDERING TEXT							
HD.40.STS.1.29.G							
HD-K.40.STS.1.29.G							
HD.40.STS-VS.1.29.G							
HD-K.40.STS-VS.1.29.G							
HD.40.STS-GR.1.29.G							
HD-K.40.STS-GR.1.29.G							
HD-Z.40.STS-ZB.1.29.G							
HD-K/Z.40.STS-ZB.1.29.G							
HD.40.STS.1.29.G							

THIS DRAWING IS A CONTROLLED DOCUMENT.

DMN: Gr. St. 11.11.1997  
CHK: Kramer 26.06.98

**STE** TE Connectivity

NAME: HOOD  
PRODUCT SPEC: HD.40.STS.1.29.G

SIZE: A1  
CAGE CODE: 00779  
DRAWING NO: C=1102567

SCALE: 1:1 SHEET: 1 OF 1 REV: B