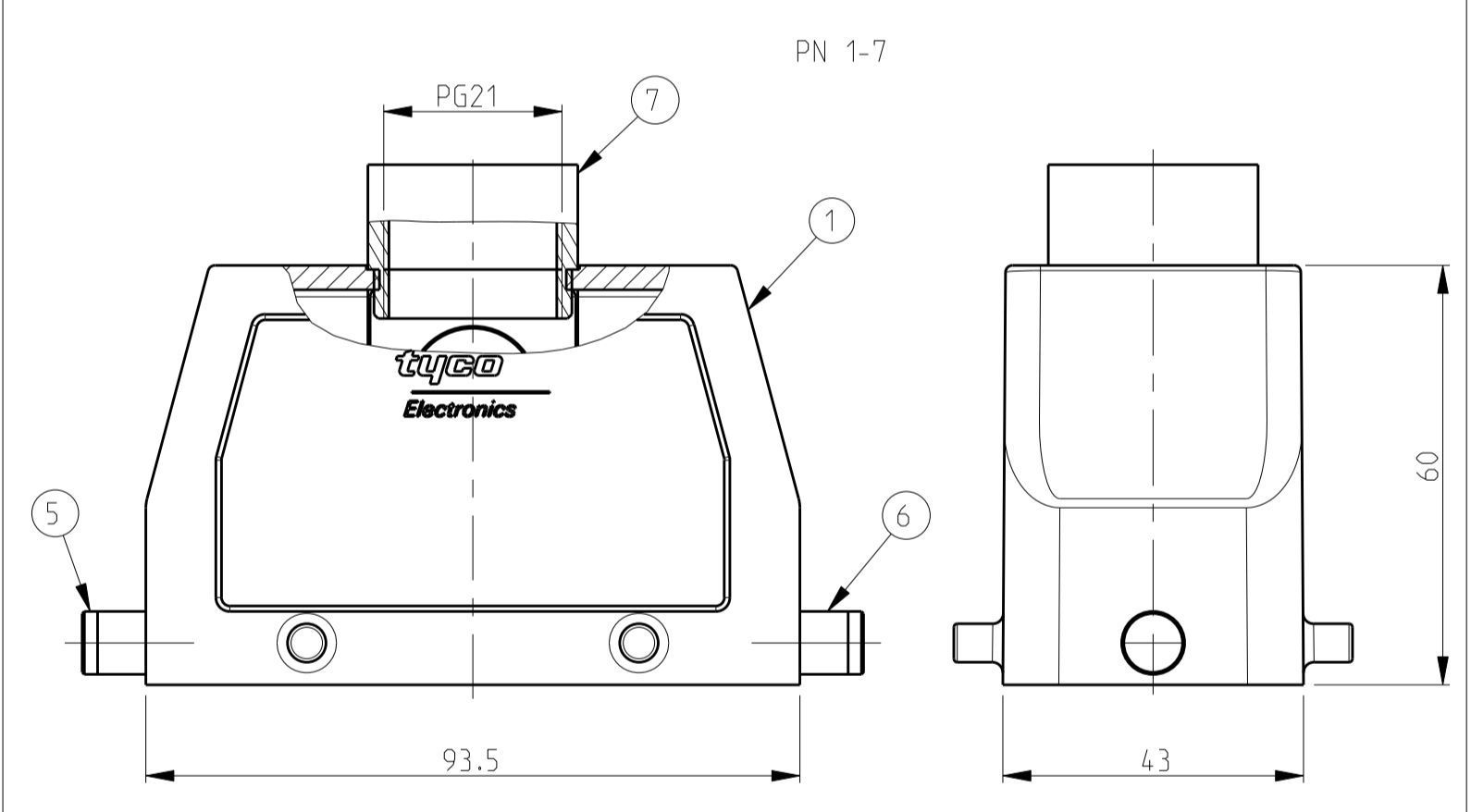
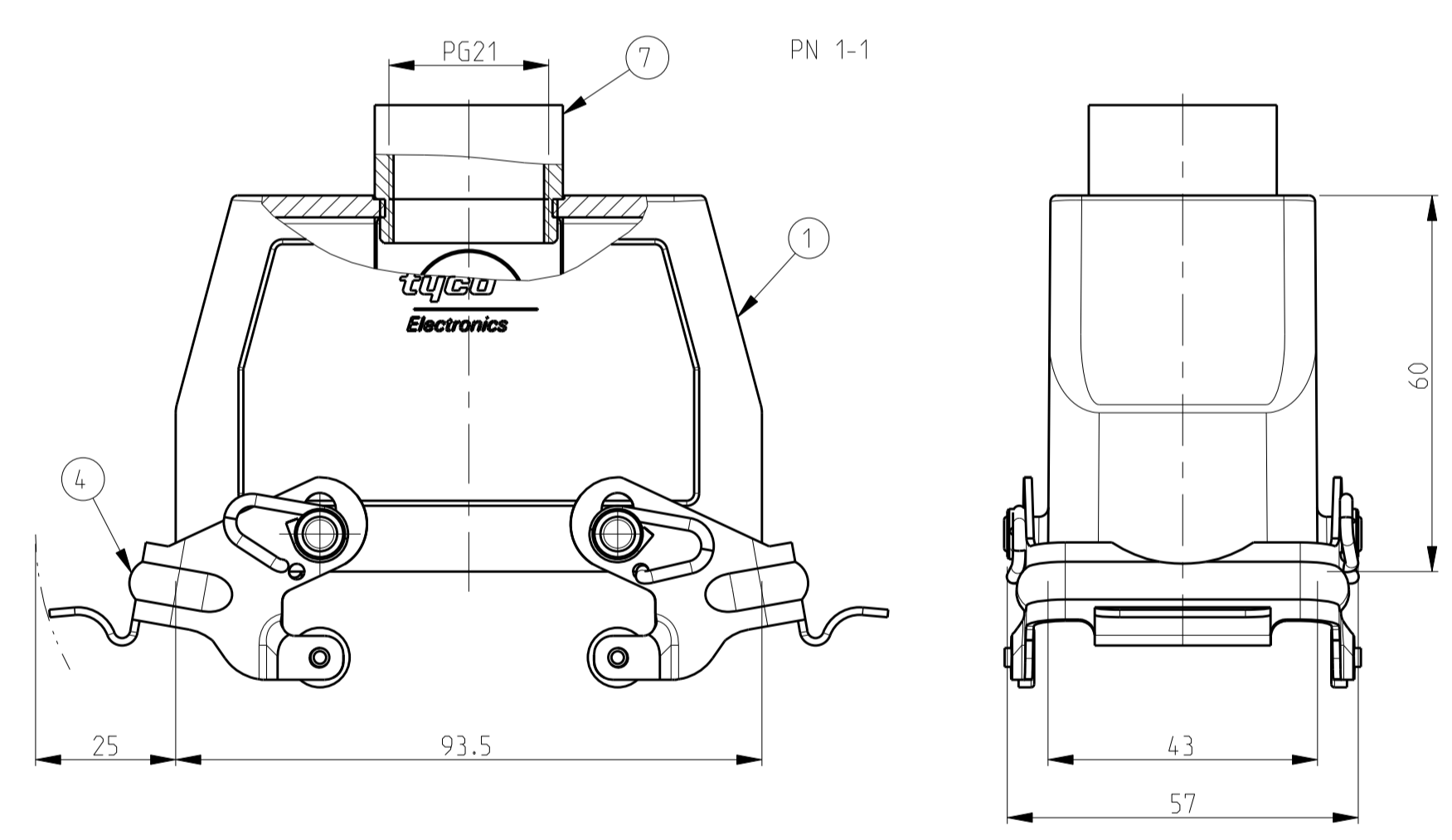
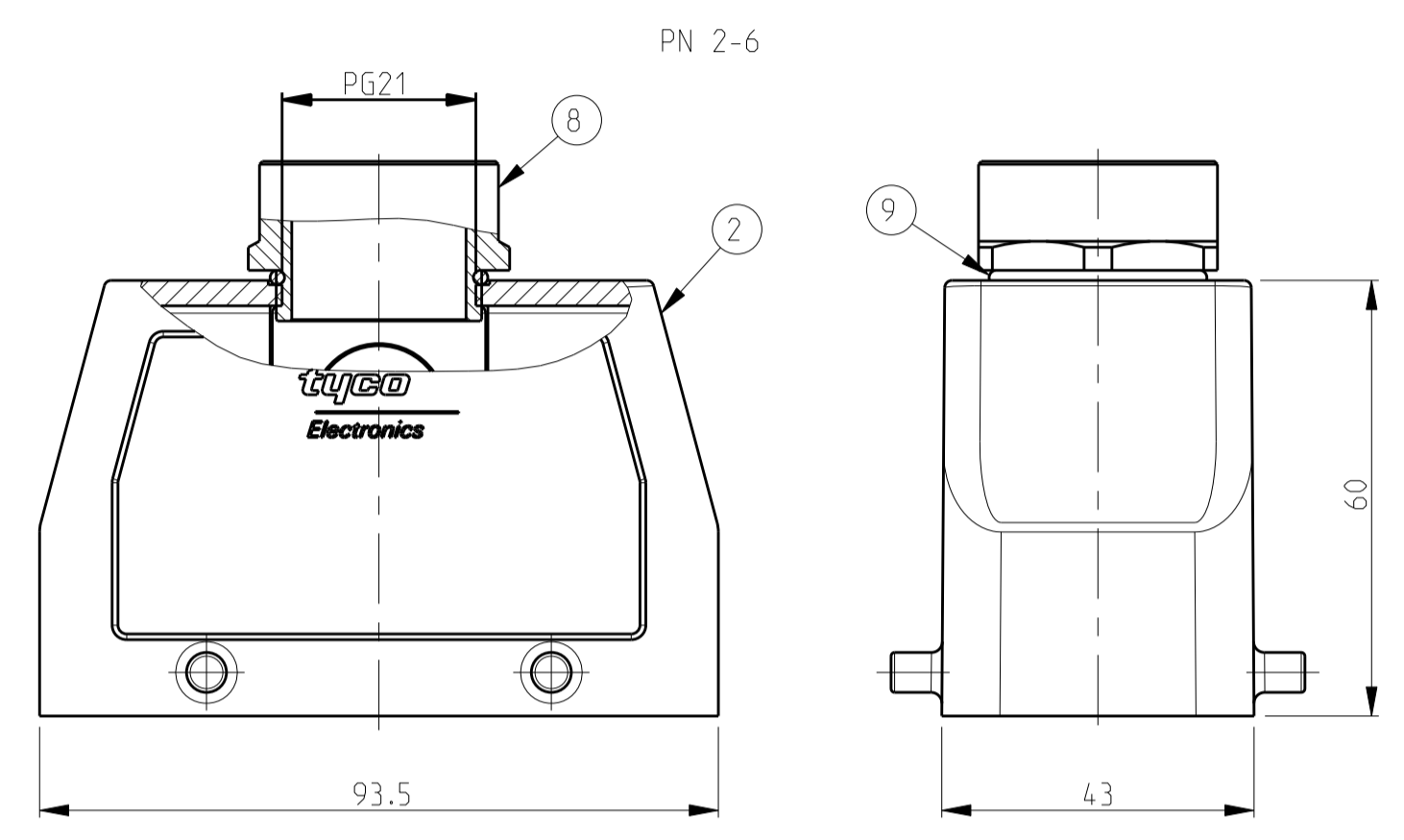
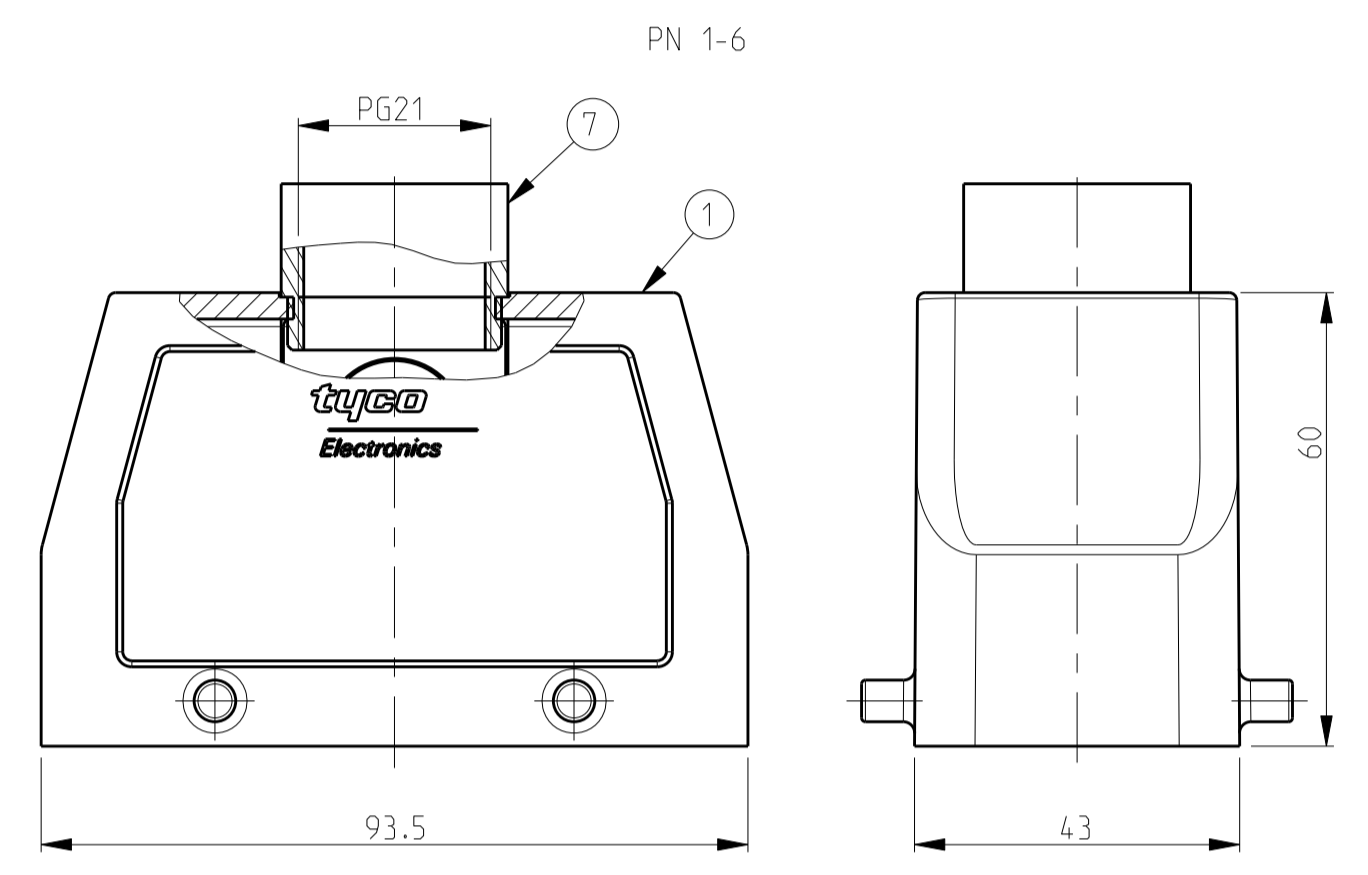
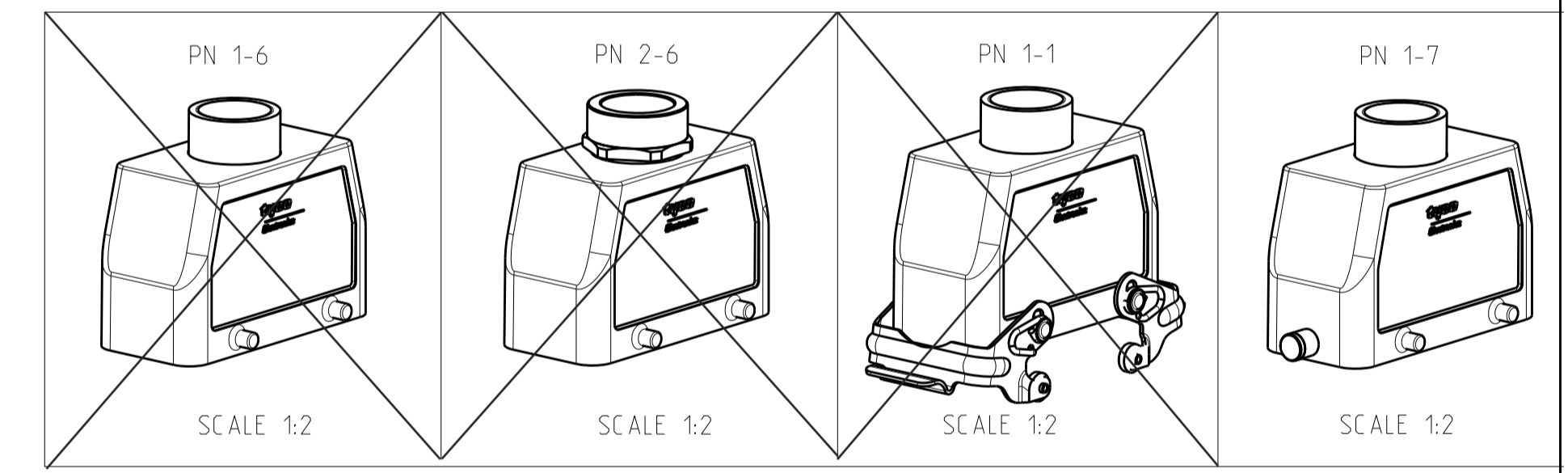


LOC	DIST	REVISIONS			
REV	LTN	DESCRIPTION	DATE	DWN	APVD
A3		Released as per ECR-08-011916	12.May.2008	SP	TS
A4		ECR-17-014033	13MAR2018	SG	MKO



- NOTES
- 1 Material: Housing: aluminium diecasting alloy
 - 2 Surface:- Varnish grey
Aluminium oxide+Varnish Black
 - 3 Varnish on the inside not necessary
 - 4 Packaging
Packaging quantity 5 piece in a box



QTY	DESCRIPTION	MATERIAL	SURFACE	COLOR	ITEM NO	NOTES
1	O-Ring Pg21	Brass		Black	9	
1	6-Kt-Adapter Pg21	Brass	Nickel Plated		8	
1	Adapter Pg21	Brass	Nickel Plated		7	
2	LB-Slide Spool	Steel	Zinc Plated	Blue	6	
2	LB-Clip bolt	Steel	Zinc Plated	Blue	5	
2	VS-Locking Clip	Steel	Zinc Plated	Blue	4	
	VS-CLIP BOLT	Stainless Steel			3	
	Hood HB16	Aluminium	Aluminium Oxide	Black	2	
1	Hood HB16	Aluminium		Grey	1	
1-7	DESCRIPTION	MATERIAL	SURFACE	COLOR	ITEM NO	NOTES
ORDERING TEXT						
HB.16.STO.1.21.Z						
HB-K.16.STO.1.21.Z						
HB.16.STO-VS.1.21.Z						
HB.16.STO-GR.1.21.Z						

THIS DRAWING IS UNPUBLISHED. RELEASED FOR PUBLICATION 1999. ALL RIGHTS RESERVED.

TE Connectivity

NAME: Hood HB.16.1.21.Z

PRODUCT SPEC: 108-74001
108-74003

APPLICATION SPEC: 114-74001
114-74004

SCALE: 1:1 SHEET 1 OF 1 REV A4