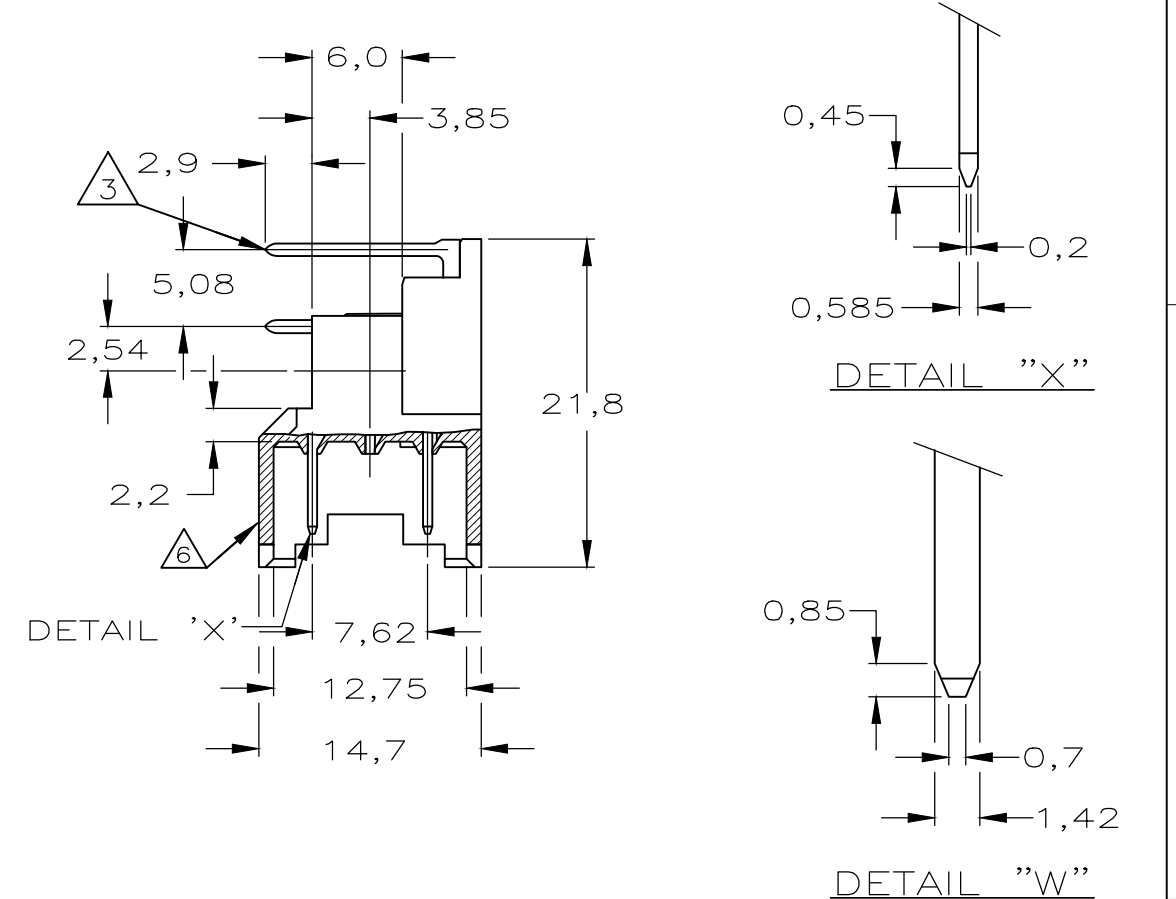
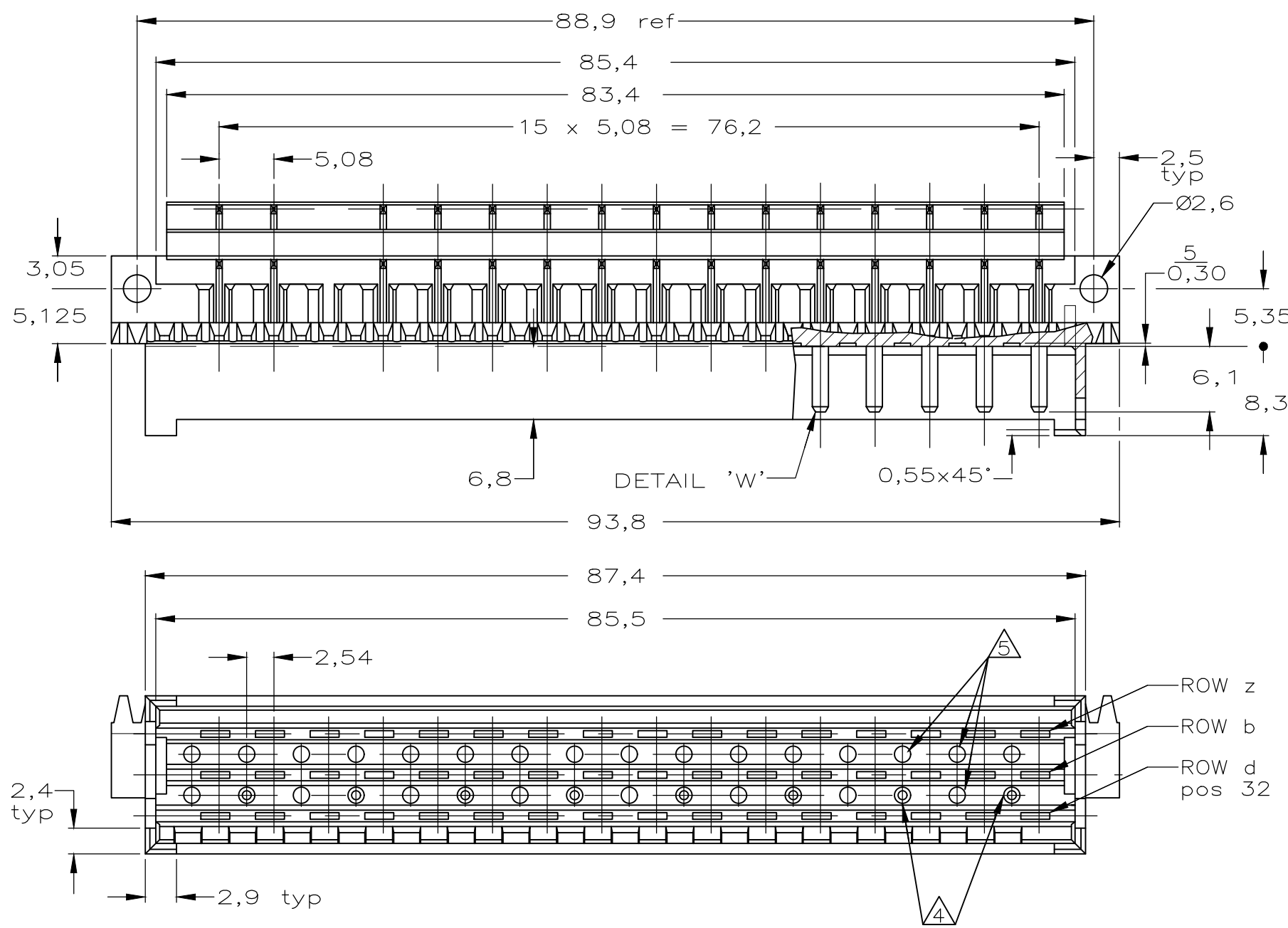


REVISIONS					
P	LTR	DESCRIPTION	DATE	DWN	APVD
	B	REVISED PER ECO-20-012547	04NOV2020	RZ	HL



POS. NO	2	4	6	8	10	12	14	16	18	20	22	24	26	28	30	32
F 48 ROW	X	X	.	X	X	X	X	X	X	X	X	X	X	X	X	X

	X	X	.	X	X	X	X	X	X	X	X	X	X	X	X	X

AN ASTERISK „X” DENOTES A STANDARD CONTACT.

- NOTES
- 1 MATERIAL:
-HOUSING: THERMOPLASTIC POLYESTER, COLOR GREY.
-CONTACTS: BRASS.
 - 2 PLATING CONTACT: 1,25 μm Au OVER 1,25 μm Ni IN CONTACT AREA.
Sn over 1,25 μm Ni ON SOLDER POST.
 - 3 SOLDER POSTS SUITABLE FOR P.C.B. HOLES
0,8±0,05 OR 1,0±0,1 DIA.
 - 4 8 HOLES SUITABLE FOR KEYING PIN PN. 215916-1.
 - 5 KEYING HOLES TO BE DRILLED BY CUSTOMER.
 - 6 PRINTING AT THIS SIDE.

SEE NOTE 2 SEE NOTE 1 106349-1
 MATERIAL PARTNUMBER

THIS DRAWING IS A CONTROLLED DOCUMENT.		DWN	25.05.93		STE TE Connectivity	
		CHK	-			
		APVD	-		NAME	
		PRODUCT SPEC	-		30 POS. DIN 41612 F MALE	
		APPLICATION SPEC	-		90	
		SIZE	CAGE CODE	DRAWING NO	RESTRICTED TO	
		WEIGHT	A3	00779	C=106349	-
		CUSTOMER DRAWING		SCALE	SHEET	REV
				-	1 OF 1	B