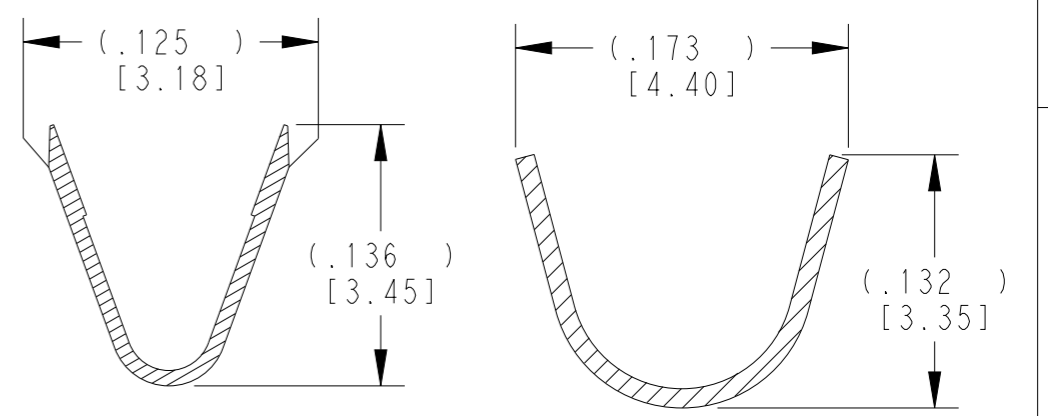
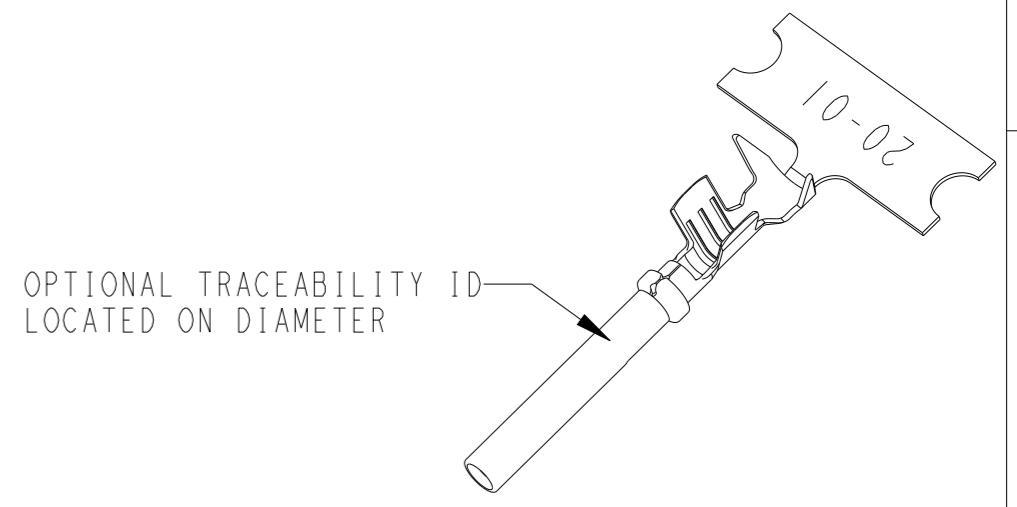
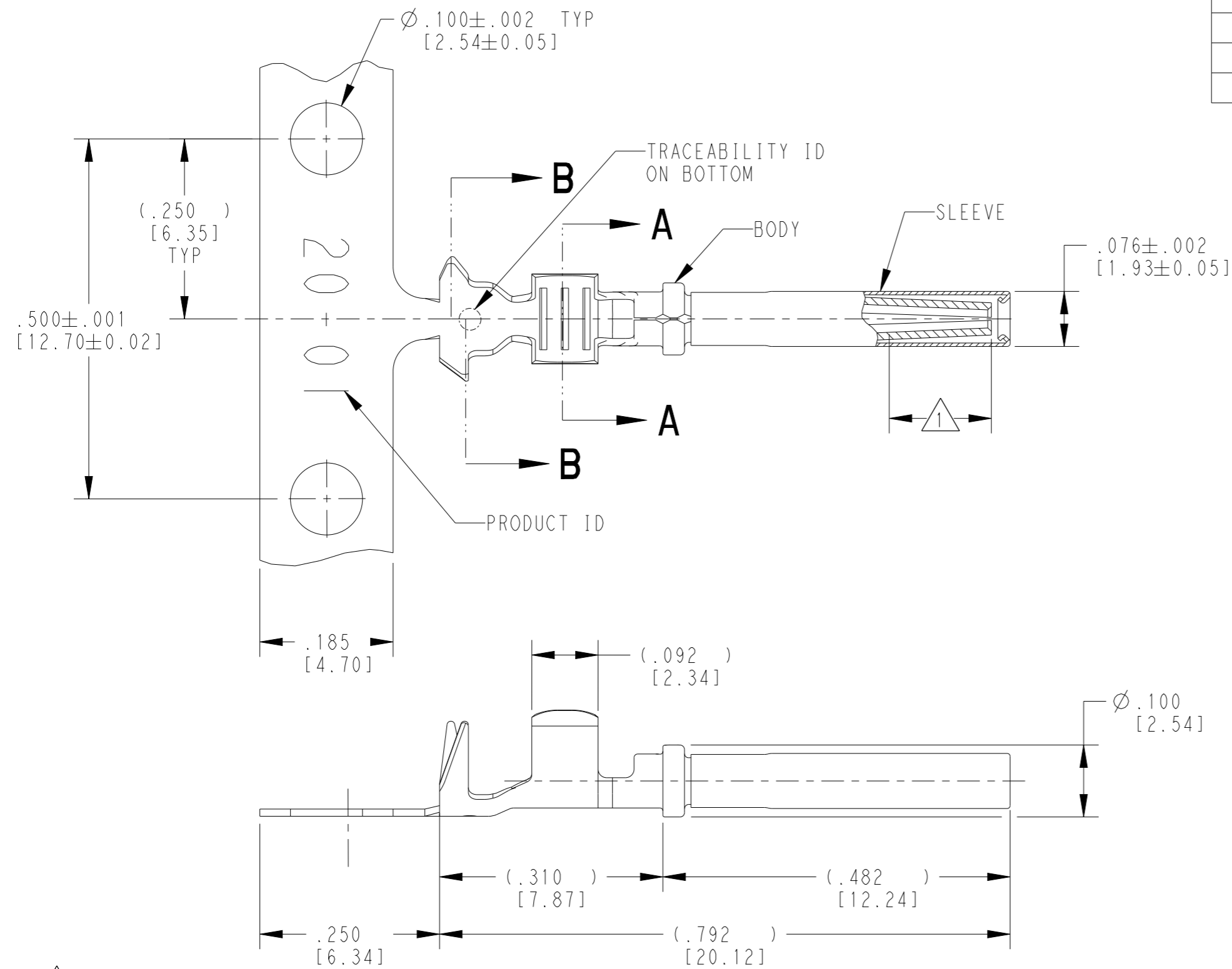


THIS DRAWING IS UNPUBLISHED. RELEASED FOR PUBLICATION 2018
 © COPYRIGHT 2018 BY - ALL RIGHTS RESERVED.

| P | LTR | DESCRIPTION | DATE | DWN | APVD |
|---|-----|------------------------------|-----------|-----|------|
| | E | REVISED PER E.O. P20382 | 03DEC2009 | | RDR |
| | F | REVISED PER PCN :E-18-007949 | 23MAY2018 | DD | DM |
| | F1 | REVISED PER PCN-24-200133 | 18MAR2024 | RK | CB |



SECTION A-A
WIRE BARREL

SECTION B-B
INSULATION BARREL

- 3 MATERIAL:
BODY: .010 [0.25] THICK COPPER ALLOY
SLEEVE: STAINLESS STEEL
 - 2. WIRE RANGE: 22 AWG TO 16 AWG [0.35-1.5 mm²]
INSULATION RANGE: \varnothing .075-.125 [\varnothing 1.91-3.18]
 - 1 APPLIES ONLY TO SELECTIVE GOLD 1062-20-0144.
INDICATED DIMENSION SHOWS GOLD PLATED AREA.
- NOTES: UNLESS OTHERWISE SPECIFIED

| | | | | | | | |
|--|--|-------------------------------------|-----------------------------|------------------|-----------------|--------------------------|-----------------|
| THIS DRAWING IS A CONTROLLED DOCUMENT. | | DWN J. APOSTOL 01DEC2009 | TE Connectivity | | | | |
| DIMENSIONS: INCHES [mm] | | CHK D. MEYER 02DEC2009 | | | | | |
| TOLERANCES UNLESS OTHERWISE SPECIFIED: | | APVD R. REED 02DEC2009 | | | | | |
| 0 PLC ± 1 PLC ± 2 PLC ± 3 PLC ±.025 [0.64] 4 PLC ± ANGLES ± | | NAME STAMPED CONTACT SOCKET SIZE 20 | | | | | |
| MATERIAL 3 | | FINISH SEE TABLE | PRODUCT SPEC 108-151000 | SIZE A3 | CAGE CODE 4AFU8 | DRAWING NO. 1062-20-01XX | RESTRICTED TO - |
| | | | APPLICATION SPEC 114-151003 | SCALE 6:1 | | SHEET 1 OF 1 | REV F1 |
| | | | WEIGHT 0.21 g | CUSTOMER DRAWING | | | |