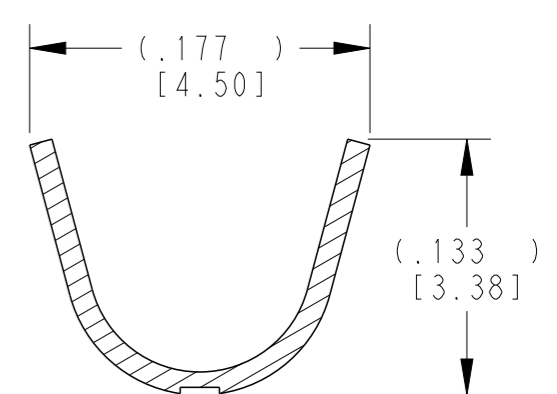
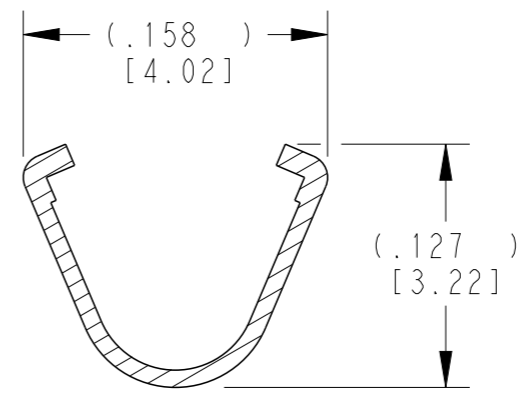
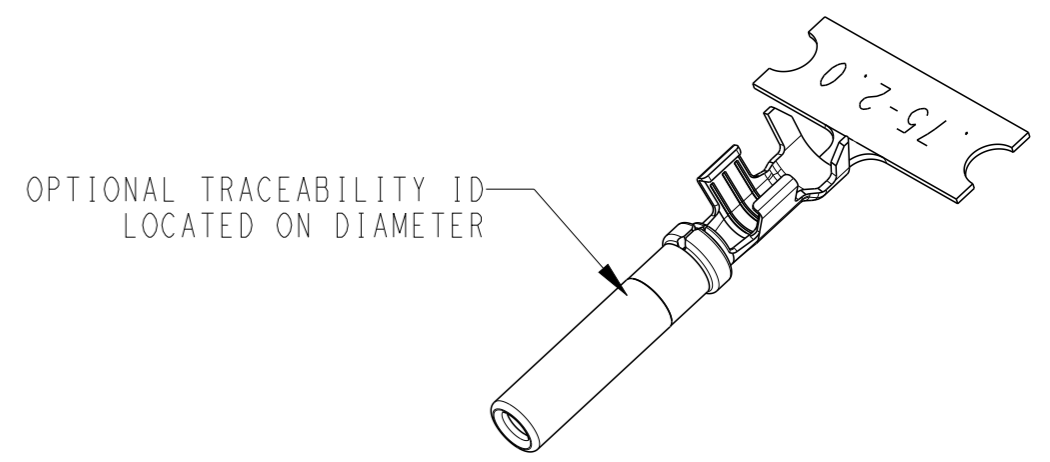
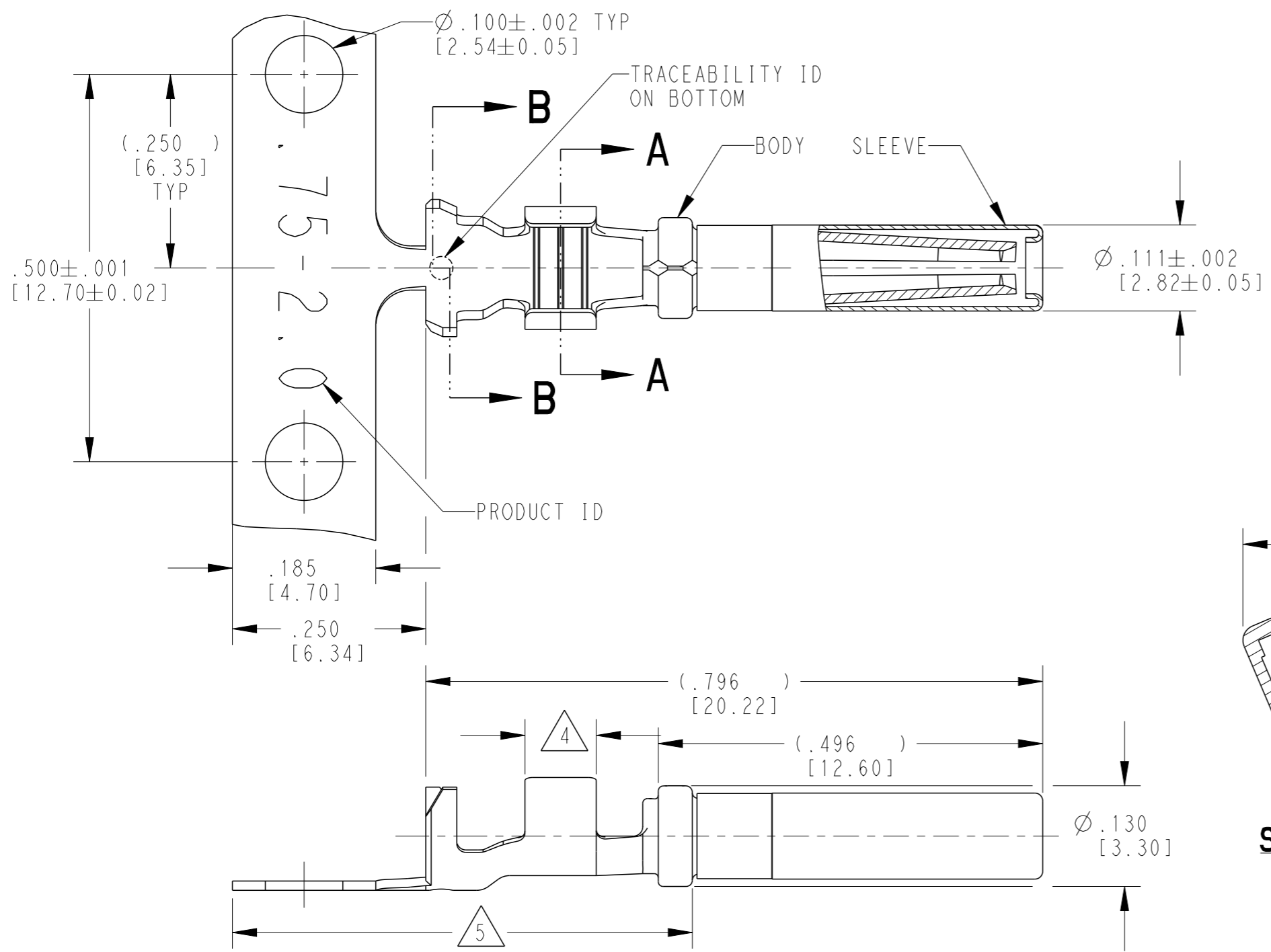


REVISIONS					
P	LTR	DESCRIPTION	DATE	DWN	APVD
	F	REVISED PER ECO-15-007761	28MAY2015	RL	DM
	G	REVISED PER PCN E-20-008101	12JUN2020	DM	DM
	G1	REVISED PER PCN-22-157823	12OCT2022	SP	DM



5 TIN PLATING MAY BE IN THIS REGION.

4 TIN PLATED REGION.

3 MATERIAL:  
 BODY: .012 [0.30] THICK COPPER ALLOY  
 SLEEVE: STAINLESS STEEL

2. WIRE RANGE: 18 AWG TO 14 AWG [0.75-2.0 mm<sup>2</sup>]  
 INSULATION RANGE:  $\phi .075$ - $\phi .140$  [ $\phi 1.91$ -3.56]

1 DELETED.

NOTES: UNLESS OTHERWISE SPECIFIED

TE INTERNAL PN	DEUTSCH PN	PLATING
1062-16-0722	1062-16-0722	Ni/Cu overall, Sn/Ni/Cu Wire Barrel
1062-16-0744	1062-16-0744	Selective Au, Ni/Cu overall, Sn/Ni/Cu Wire Barrel
1062-16-0777	1062-16-0777	Sn/Ni/Cu overall

THIS DRAWING IS A CONTROLLED DOCUMENT.

DWN	01DEC2000	 TE Connectivity	NAME SOCKET, STAMPED AND FORMED SIZE 16 14-18AWG
CHK	05DEC2000		
APVD	08DEC2000		
PRODUCT SPEC	108-151000		
APPLICATION SPEC	114-151000	SIZE	A3
WEIGHT	0.43 g	CAGE CODE	4AFU8
MATERIAL	SEE TABLE	DRAWING NO	1062-16-07XX
		RESTRICTED TO	-
		SCALE	6:1
		SHEET	1 OF 1
		REV	G1

Customer Drawing