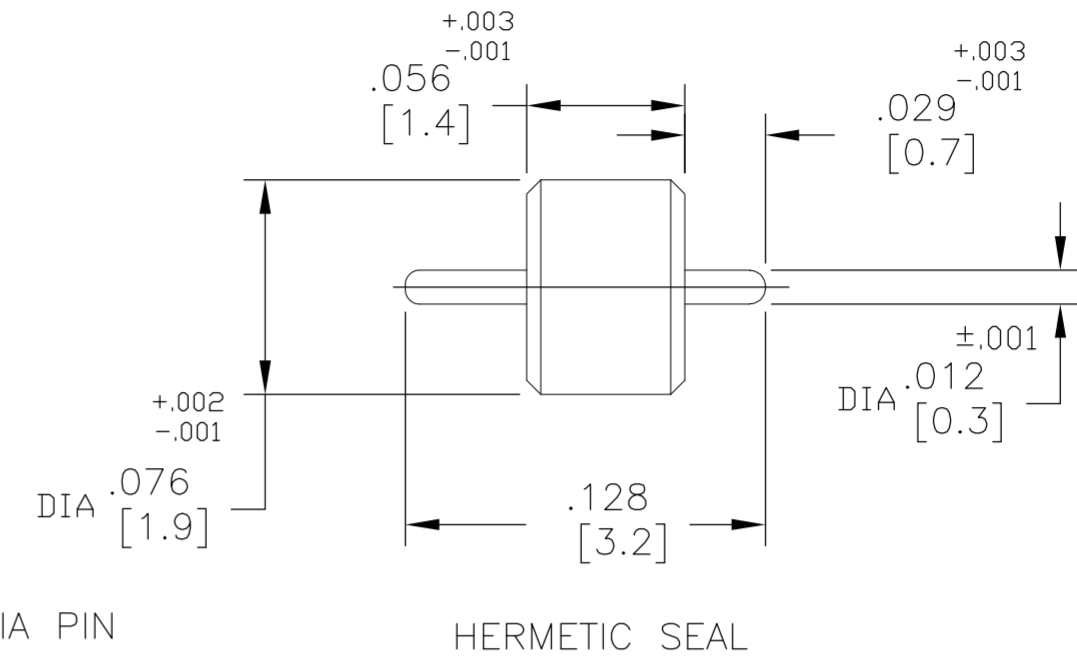
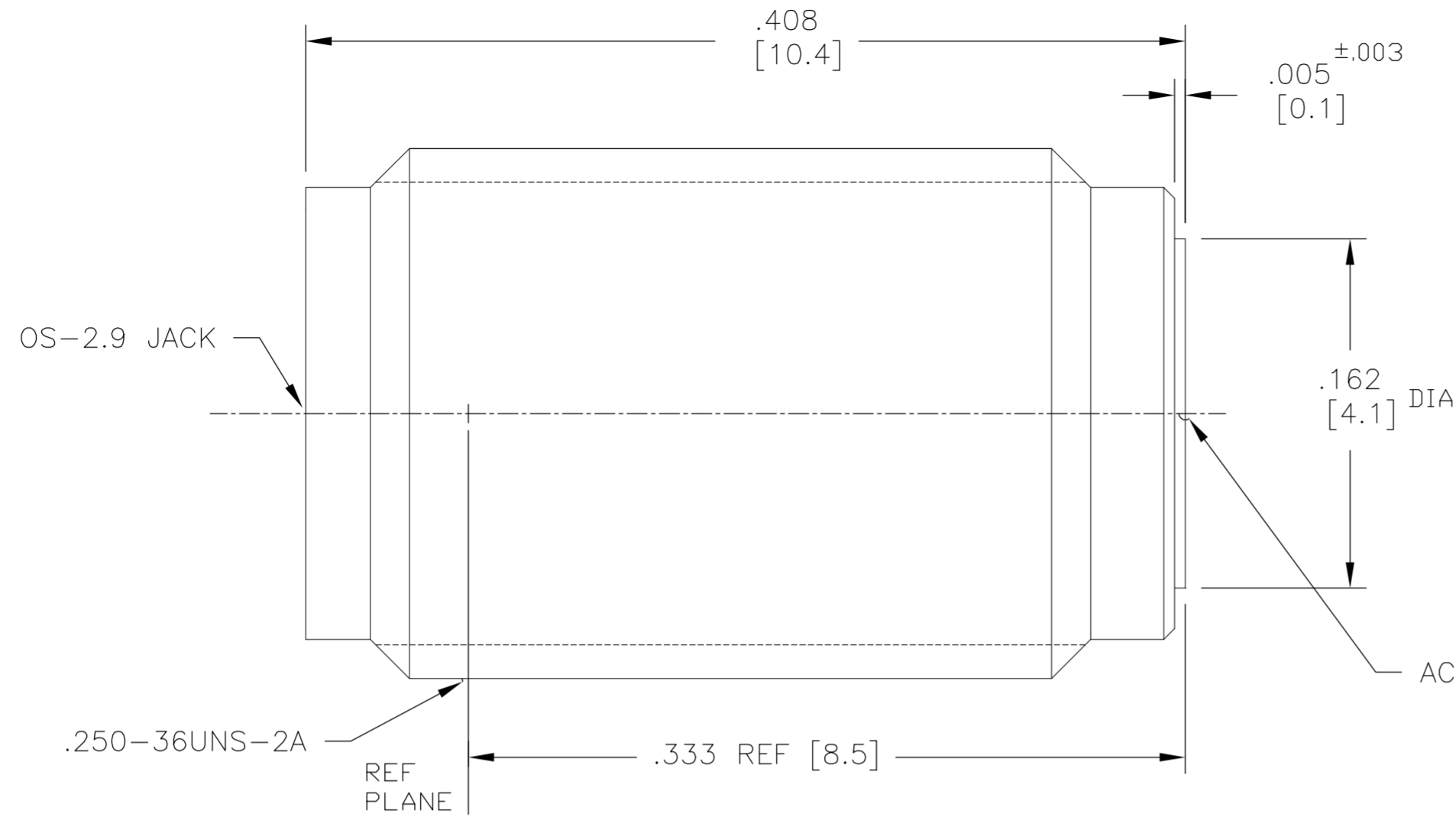
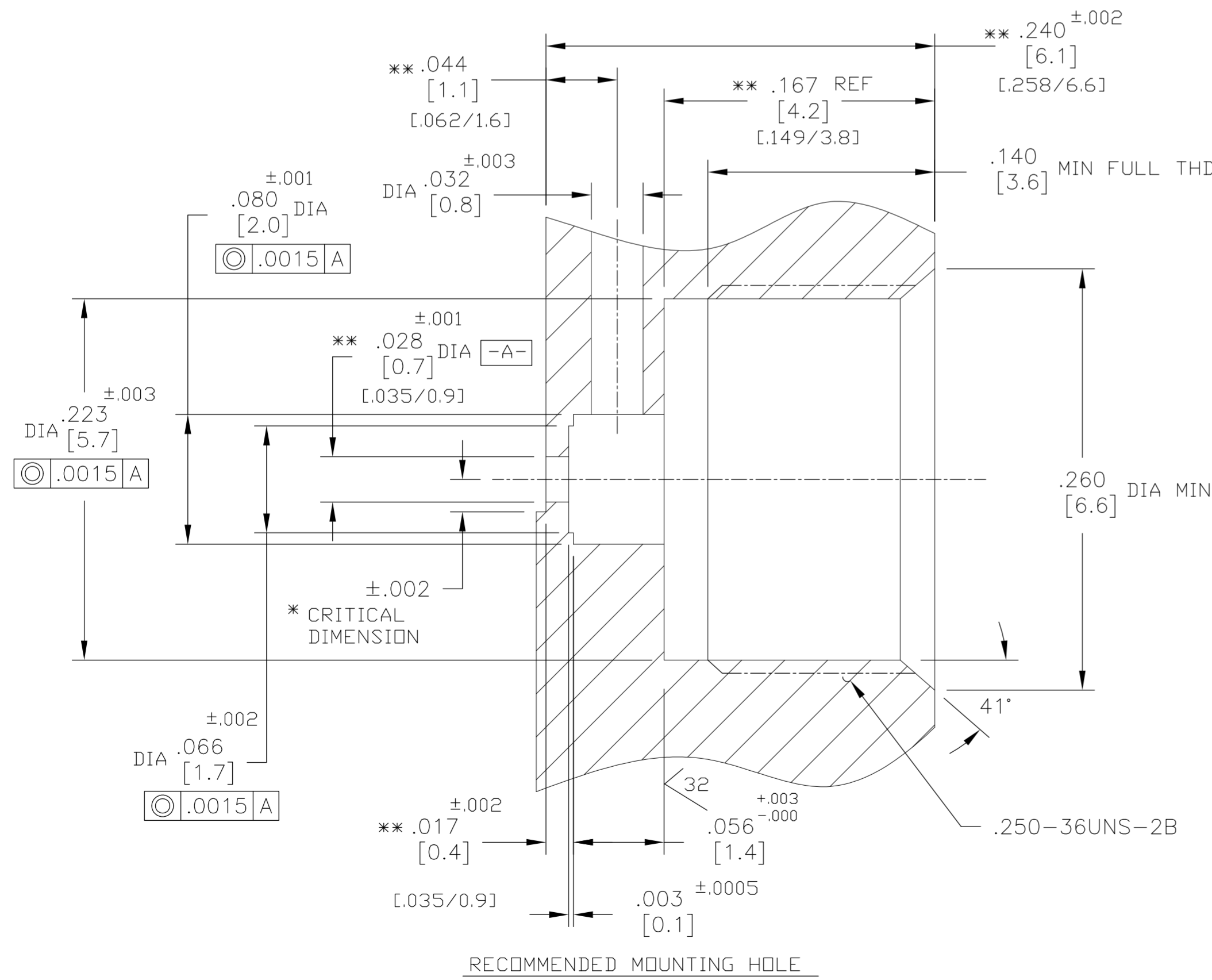


THIS DRAWING IS UNPUBLISHED. RELEASED FOR PUBLICATION
 © COPYRIGHT - By - ALL RIGHTS RESERVED.

LOC		DIST		REVISIONS			
AJ	00	P	LTR	DESCRIPTION	DATE	DWN	APVD
		D		REV PER ECO-14-007491	20MAY14	AM	MY



.XXX= inch
 [XX.X]= mm



NOTES;

- 1. CAPTURED CENTER CONTACT
- * DIMENSION IS .006 (PIN RADIUS) + SUBSTRATE THICKNESS + SOLDER THICKNESS
- ** DIMENSION IN BRACKETS [] APPLIES IF SLIDING CONTACTS ARE USED

1063404-2	1060036-2
1063404-1	1060036-1
HERMETIC SEAL	PART NUMBER

COMPONENT	MATERIAL	FINISH
HOUSING	STAINLESS STEEL PER ASTM-A484 AND ASTM-582, TYPE 303	PASSIVATE PER ASTM-A380
SUPPORT BEAD	NORYL PPD EN265 COLOR: BLACK	NA
CENTER CONTACT	BRASS PER ASTM-B-16 HALF HARD	GOLD PLATE PER MIL-G-45204
CONTACT EXT. BUSHING	IRON NICKEL-COBALT ALLOY PER MIL-I-23011 CLASS 1 (KOVAR)	GOLD PLATE PER MIL-G-45204
HERMETIC SEAL	GLASS BEAD	NA

THIS DRAWING IS A CONTROLLED DOCUMENT. DWN ANSON MA 25SEP2013
 CHK -
 APVD MY 25SEP2013
 PRODUCT SPEC
 APPLICATION SPEC
 408-4630
 WEIGHT -
 CUSTOMER DRAWING

STE TE Connectivity

OS-2.9 PANEL FEEDTHRU JACK RECEPTACLE WITH GLASS SEAL FIELD REPLACEABLE

SIZE A2 CAGE CODE 00779 C=1060036 RESTRICTED TO -
 SCALE 10:1 SHEET 1 of 1 REV D