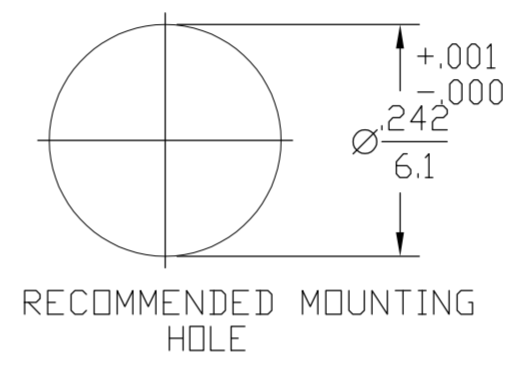
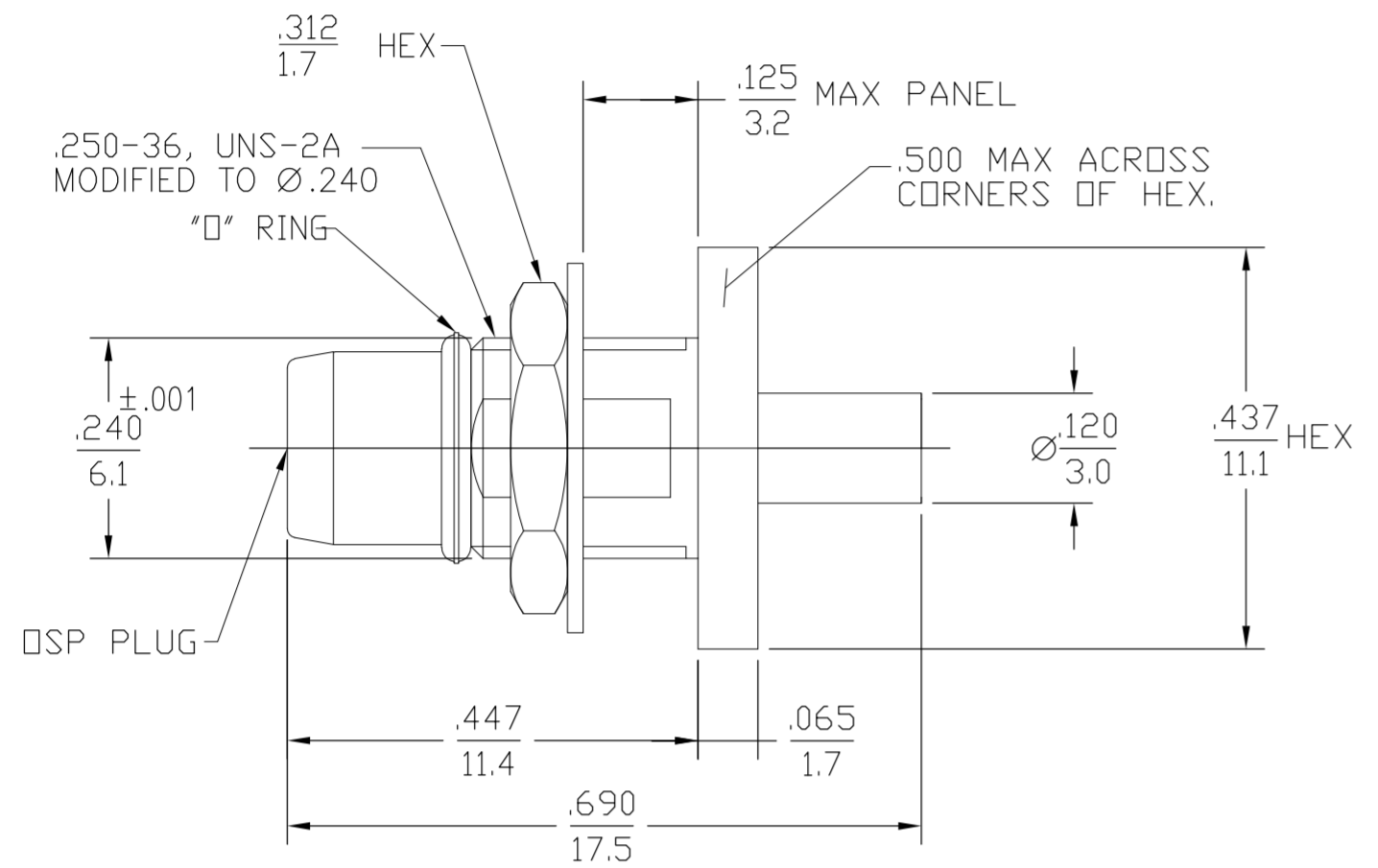


THIS DRAWING IS UNPUBLISHED. RELEASED FOR PUBLICATION
 © COPYRIGHT BY TYCO ELECTRONICS CORPORATION. ALL INTERNATIONAL RIGHTS RESERVED.

DESIGNED FOR USE WITH .085 S/R	
CABLE ENTRY DIAMETER MINIMUM	
HOUSING	.089
CONTACT	.0215

REVISIONS				
P	LTR	DESCRIPTION	DATE	APVD
C		REV PER ECO-08-021971	13JAN09	PY BM



ELECTRICAL	MECHANICAL	ENVIRONMENTAL
Nominal Impedance (Ohms) 50	Interface Dimensions MIL-STD 348A, FIG 321-1	TEMPERATURE RATING -65° TO +125°C
Frequency Range (GHz) DC to 22	Mating Characteristics:	Vibration MIL-STD-202, Method 204, Condition D
Volt Rating (VRMS MAX) @ Sea Level 335	Insertion (MAX Lbs) 3	Shock MIL-STD-202, Method 213, Condition I
VSWR 1.05+.005f(GHz) DC to 18 GHz	Withdrawal (MIN Oz) 1	Thermal Shock MIL-STD-202, Method 107, Condition B
1.05+.009f(GHz) DC to 22 GHz	Force to Engage (In-Lbs MAX) 3 & Disengage (In-Lbs MAX) 15	Moisture Resistance MIL-STD-202, Method 106
Insertion Loss (dB MAX) .03x√f(GHz)	Center Contact Captivation	Corrosion - MIL-STD-202, Method 101, Condition B
RF Leakage (dB MIN) (Interface Only, Fully Mated) -(90-f(GHz))	Axial (Lbs) 6	
Corona, 70,000 Ft (VRMS MIN) 250	Cable Retention	
Dielectric Withstanding Voltage (VRMS MIN) @ Sea Level 1000	Axial Force (Lbs MIN) 30	
Contact Resistance (Milliohms MAX)	Torque (In-Oz MIN) 16	
Center Contact 2.0	Weight (Grams)	
Outer Contact 2.0		
Cable to Housing 0.5		
RF High Potential @ Sea Level (VRMS MIN @ 5 MHz) 670		
I.R.(Megohms MIN) 5000		

.XXX = in
 XX.X = mm (REF)

COMPONENT	MATERIAL	FINISH
HOUSING MOUNTING NUT LOCKWASHER	STAINLESS STEEL PER ASTM-A484 AND ASTM-A582, TYPE 303	GOLD PLATE PER MIL-G-45204
DIELECTRIC	TFE FLUOROCARBON PER ASTM-D-1457	N/A
CENTER CONTACT	BERYLLIUM COPPER PER ASTM-B-196 OR ASTM-B-197, ALLOY C17300, CONDITION H	GOLD PLATE PER MIL-G-45204
O-RING	FLOUROSILICONE PER MIL-R-25988, CLASS 1, TYPE 1	N/A

THIS DRAWING IS A CONTROLLED DOCUMENT.

DWN P. YEAGER 13JAN2009	Tyco Electronics Corporation Harrisburg, PA 17105-3608					
CHK W. MOYER 14JAN09						
APVD W. MOYER 14JAN09						
PRODUCT SPEC						
APPLICATION SPEC	NAME OSP BULKHEAD FEEDTHRU CABLE PLUG DIRECT SOLDER ATTACHMENT P/N 84148/85072ZSGB					
MATERIAL SEE TABLE	FINISH SEE TABLE	WEIGHT -	SIZE A2	CAGE CODE 00779	DRAWING NO. C=1059386	RESTRICTED TO -
CUSTOMER DRAWING			SCALE 5:1	SHEET 1 of 1	REV C	