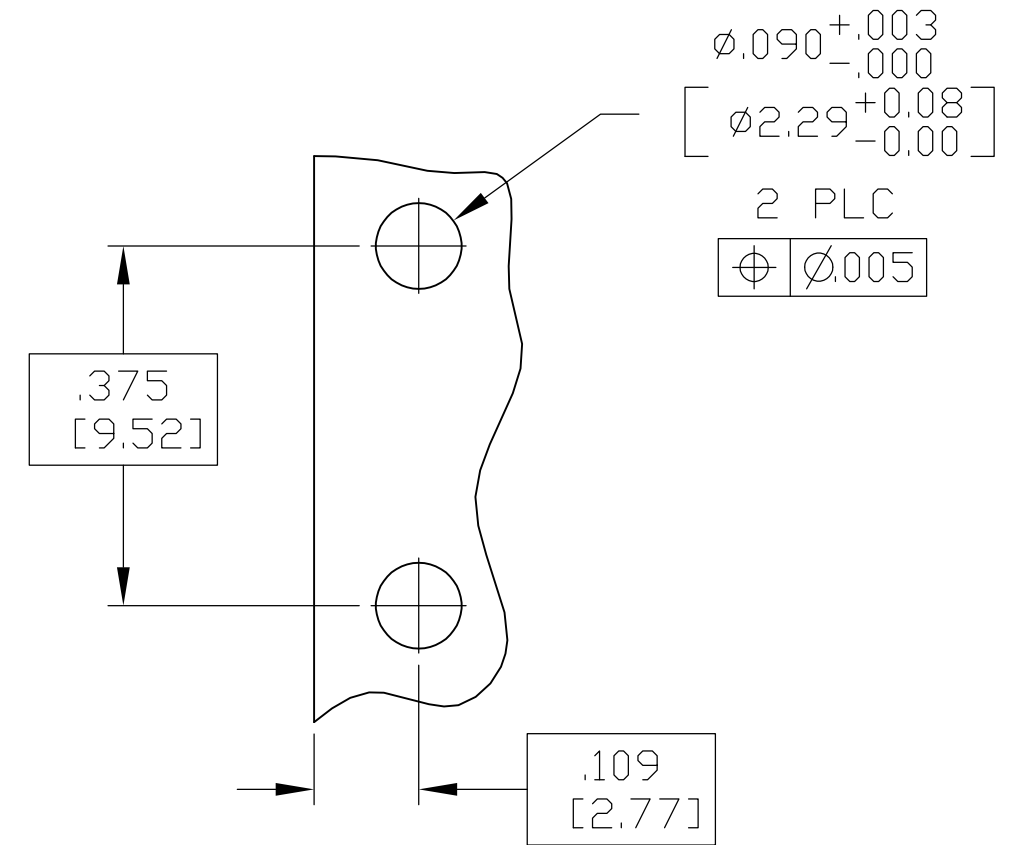
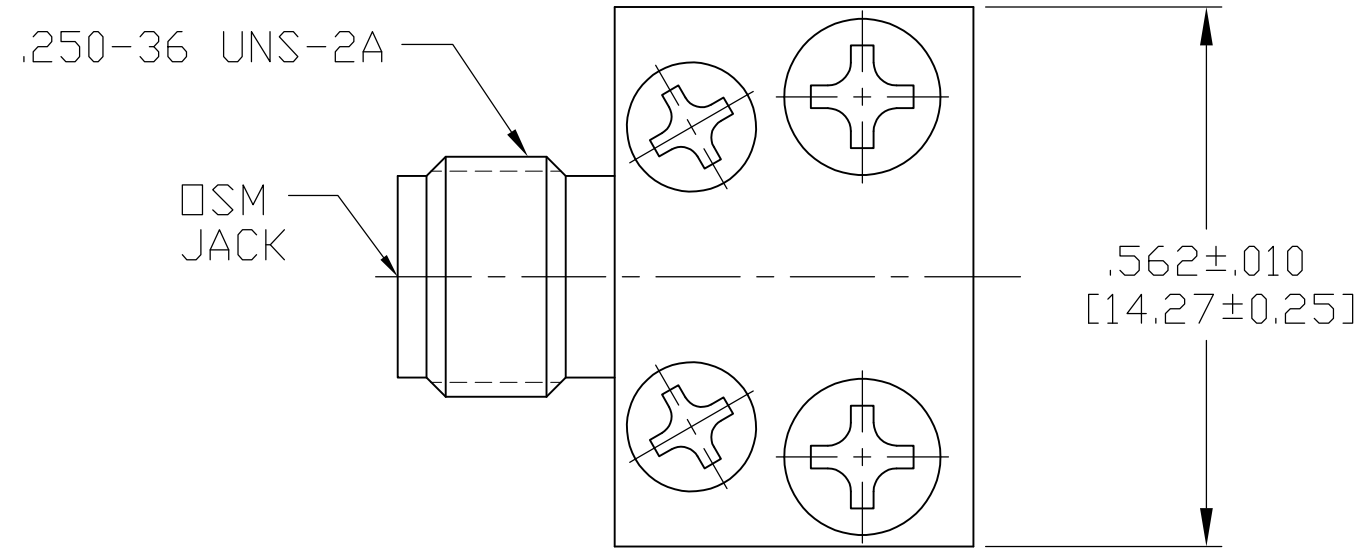
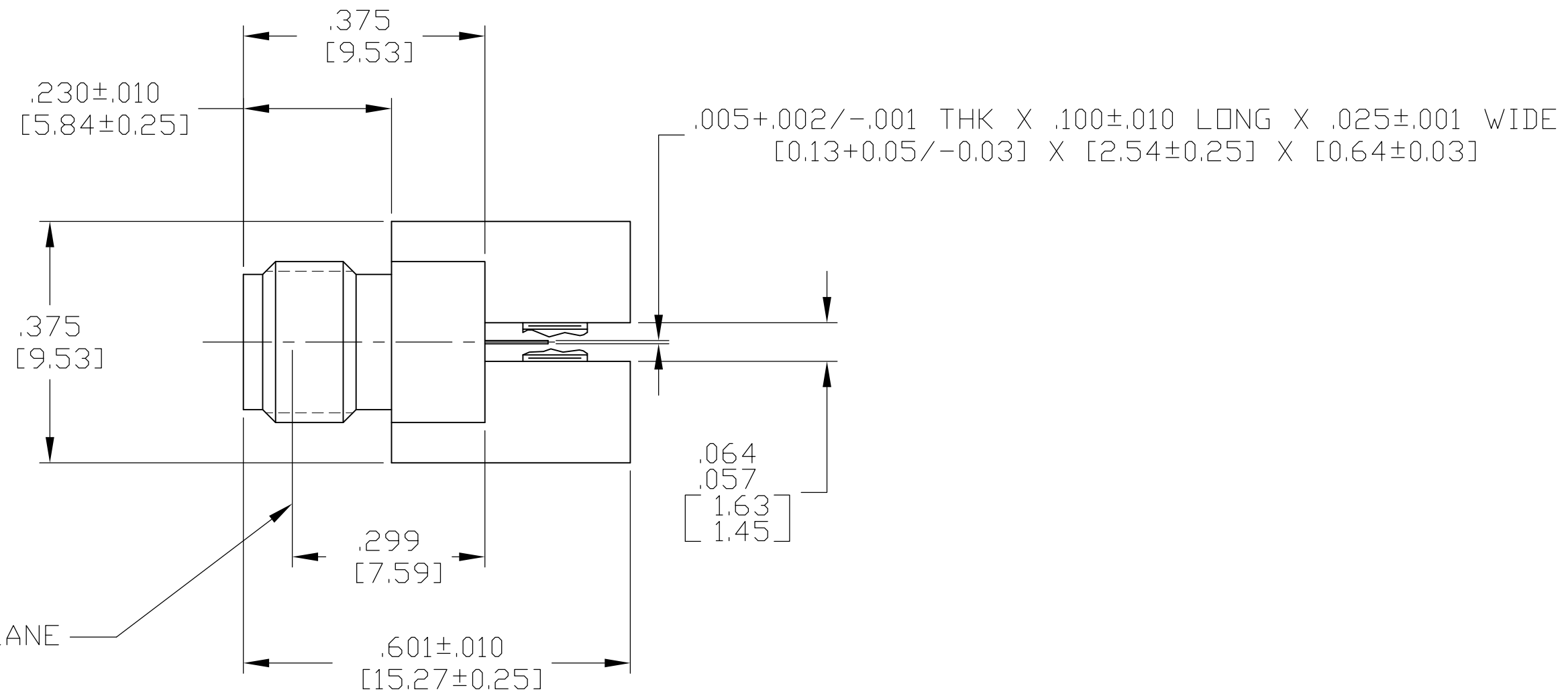


THIS DRAWING IS UNPUBLISHED. RELEASED FOR PUBLICATION
 © COPYRIGHT BY TYCO ELECTRONICS CORPORATION. ALL INTERNATIONAL RIGHTS RESERVED.

LOC		DIST		REVISIONS			
P	LTR	DESCRIPTION	DATE	DWN	APVD		
	A	REV PER ECO 09-014236	8-5-09	CT	DW		



MOUNTING HOLE PATTERN



- DESIGNED FOR USE WITH .0625 [1.587] THK TRANSMISSION LINE.
- CAPTURED CENTER CONTACT.

HOUSING BASE PLATES MACHINE SCREWS	STAINLESS STEEL PER ASTM-A484 AND ASTM- A582, TYPE 303	PASSIVATED PER SAE-AMS-2700
DIELECTRIC	TFE FLUOROCARBON PER ASTM-D-1457	N/A
CENTER CONTACT	BERYLLIUM COPPER PER ASTM-B-196 OR ASTM-B-197, ALLOY C17300, CONDITION H	GOLD PLATE PER MIL-G-45204 OVER COPPER PER AMS-2418
COMPONENT	MATERIAL	FINISH

J M83517/09-31001	1053476-1
MILITARY NUMBER	PART NO.

THIS DRAWING IS A CONTROLLED DOCUMENT.		DWN C.C.THOMAS 8-5-09	Tyco Electronics Corporation Harrisburg, PA 17105-3608	
DIMENSIONS: INCHES [mm]		CHK D.WILSON 8-5-09	NAME SMA STRIPLINE END LAUNCH JACK-TAB TERMINAL	
TOLERANCES UNLESS OTHERWISE SPECIFIED:		APVD D.WILSON 8-5-09	PRODUCT SPEC	
0 PLC ± - 1 PLC ± - 2 PLC ± - 3 PLC ± .005 [0.13] 4 PLC ± - ANGLES ± -		APPLICATION SPEC		
MATERIAL SEE TABLE	FINISH SEE TABLE	WEIGHT -	SIZE A2	CAGE CODE 00779
CUSTOMER DRAWING		SCALE 5:1	DRAWING NO. 1053476	RESTRICTED TO -
		SHEET 1 of 1	REV A	

1053476