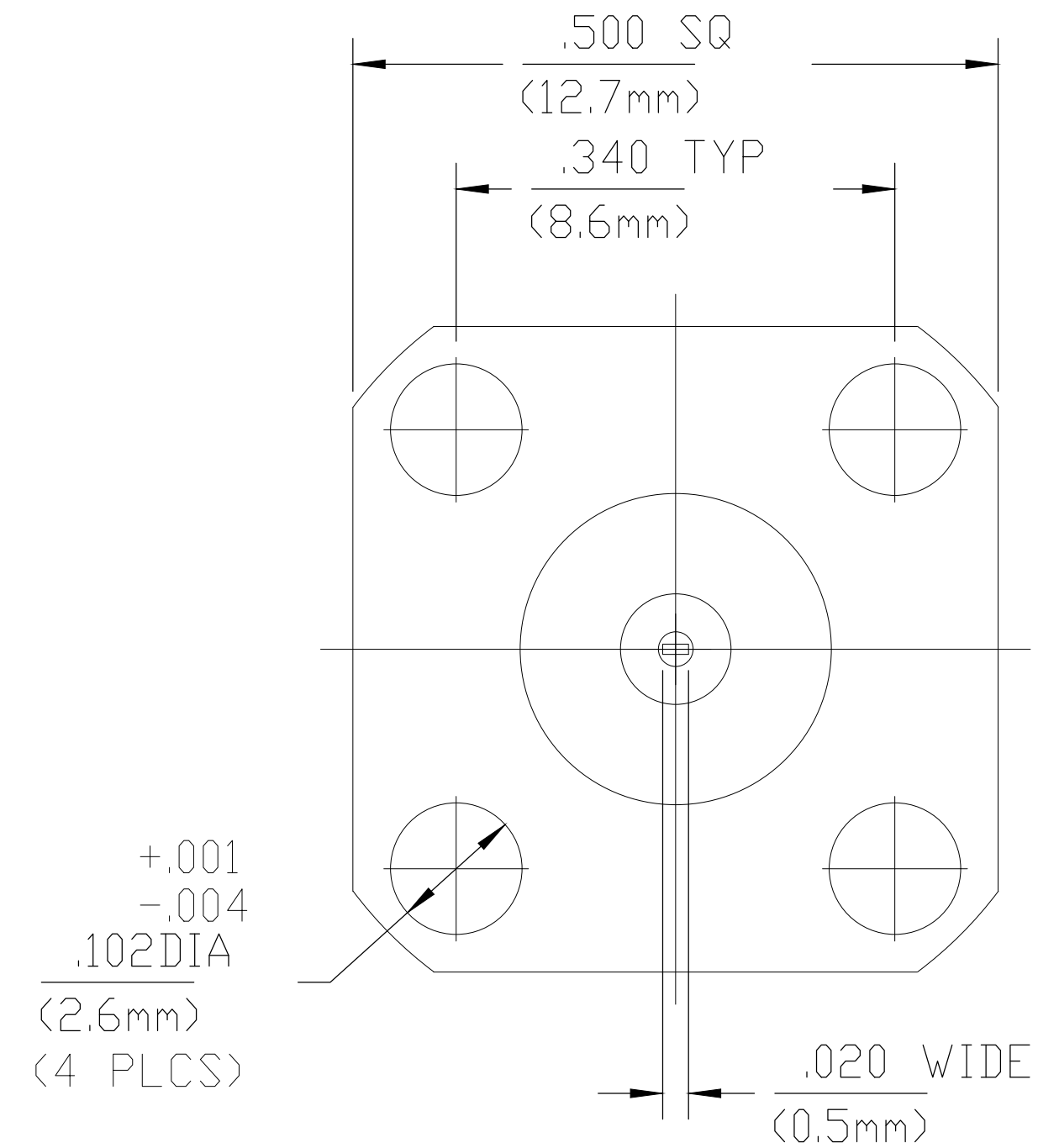
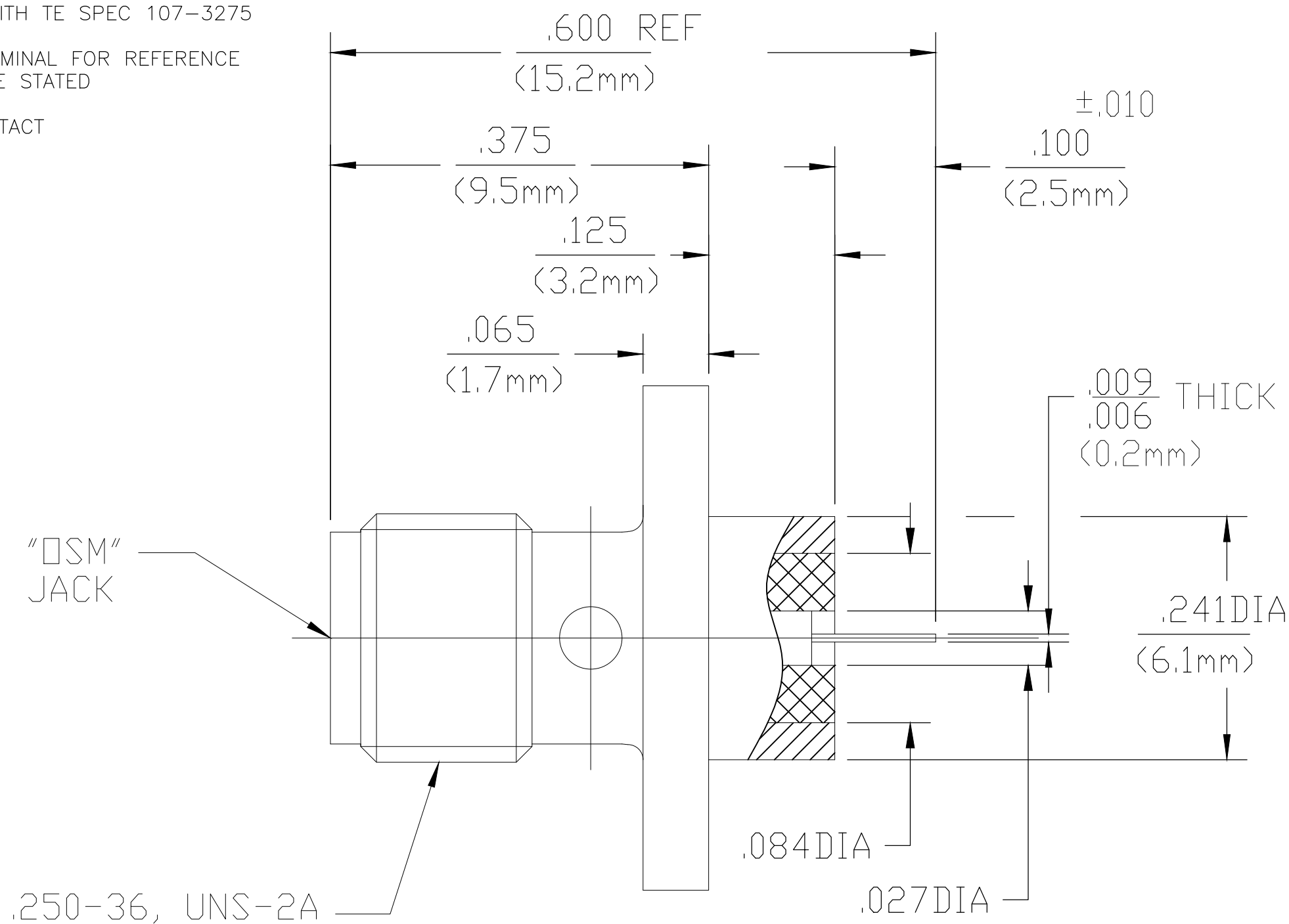


THIS DRAWING IS UNPUBLISHED. RELEASED FOR PUBLICATION
 © COPYRIGHT - TE Connectivity Ltd. ALL RIGHTS RESERVED.

REVISIONS					
P	LTR	DESCRIPTION	DATE	DWN	APVD
A1		ECR-18-020003	24DEC18	RZ	RS

- NOTES:
- 1 PACK IN ACCORDANCE WITH TE SPEC 107-3275
 - 2 ALL DIMENSIONS ARE NOMINAL FOR REFERENCE ONLY UNLESS OTHERWISE STATED
 - 3 CAPTIVATED CENTER CONTACT



ELECTRICAL	MECHANICAL	ENVIRONMENTAL
Impedance (Ohm) <u>50</u>	Interface Dimension MIL-STD-348B Fig. <u>310-2</u>	TEMPERATURE RANGE <u>-55°C TO + 125°C</u>
Frequency Range (GHz) <u>DC to 12GHz</u>	Recommended Coupling Torque <u>7 to 10 In-Lbs</u>	THERMAL SHOCK <u>MIL-STD-202, METH.107, COND.B</u>
Voltage Rating (Peak) <u>@ Sea Level 350 V RMS</u>	Force to Engage and Disengage (In/Lbs) <u>2.0 MAX</u>	CORROSION <u>MIL-STD-202, METH.101, COND.B</u>
Insulation Resistance (MIN.) <u>5000 M ohms</u>	Center Contact Captivation	VIBRATION <u>MIL-STD-202, METH.204, COND.D</u>
Contact Resistance (Milliohms MAX)	Axial (Lbs) <u>6.0</u>	SHOCK <u>MIL-STD-202, METH.213, COND.I</u>
Center Contact <u>6.0</u>	Radial (In/Oz) <u>N/A</u>	MOISTURE RESISTANCE <u>MIL-STD-202, METH.106,</u>
Outer Contact <u>2.0</u>	Cable Retention	ROHS <u>COMPLIANT</u>
Dielectric Withstand Voltage: <u>750 V RMS Max</u>	Axial (Lbs) <u>N/A</u>	
Insertion Loss : <u>N/A dB</u>	Mating cycles <u>500 cycles</u>	
VSWR: <u>N/A (GHz)</u>		
RF leakage: <u>N/A</u>		
3rd Intermodulation: <u>N/A</u>		

QTY	PLCS	DESCRIPTION	MATERIAL	ITEM
1	-	VINYL PLASTIC	CAP	4
1	Au25u"	STEEL	OUTER CONTACT	3
1	-	PTFE	INSULATION	2
1	Au40u"	BeCu	CENTER CONTACT	1
-1	PLATING	MATERIAL	DESCRIPTION	ITEM

QUANTITY PER ASSY		PARTS LIST			
THIS DRAWING IS A CONTROLLED DOCUMENT.		DWN	DWW	4-11-75	
DIMENSIONS: INCHES		CHK	RMF	4-11-75	
TOLERANCES UNLESS OTHERWISE SPECIFIED:		APVD	BWC	4-11-75	
0 PLC ± -		PRODUCT SPEC			
1 PLC ± -		APPLICATION SPEC			NAME
2 PLC ± -					SMA JACK MICROSTRIP
3 PLC ± .005					TRANSITION
4 PLC ± -					(2052-1132-00)
ANGLES ± 1					SIZE
MATERIAL		FINISH	WEIGHT	0	CAGE CODE
					00779
					DRAWING NO
					C=1052511-1
					RESTRICTED TO
					-
					SCALE
					8:1
					SHEET
					1 of 1
					REV
					A1

1052511-1