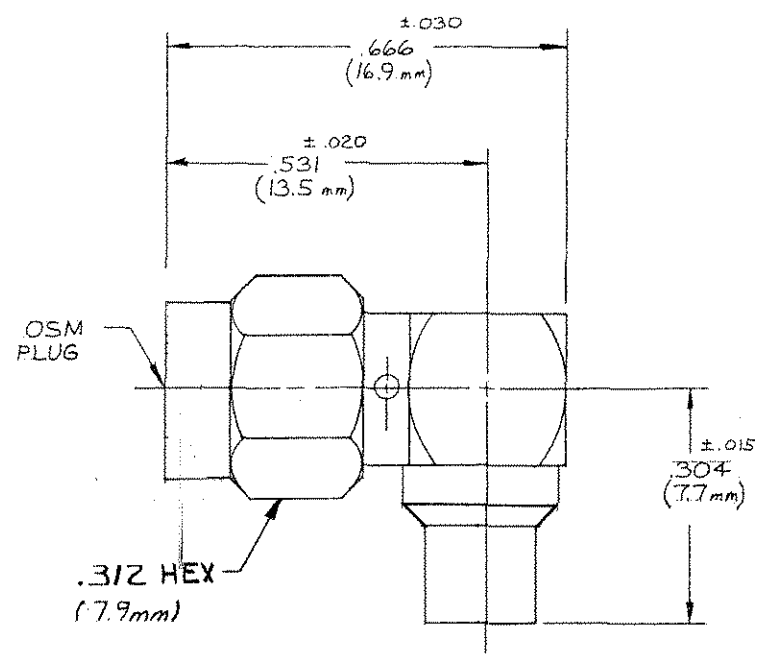


REVISIONS			
REV	DESCRIPTION	DATE	APP'D
010	RELEASED	1/20/88	[Signature]



HOUSING HOUSING ADAPTER CAP	STAINLESS STEEL PER ASTM-A484 AND ASTM-A582, TYPE 303	GOLD PLATE PER MIL-G-45204 OVER NICKEL PLATE PER QQ-N-290
COUPLING NUT	STAINLESS STEEL PER ASTM-A484 AND ASTM-A582, TYPE 303	PASSIVATED PER QQ-P-35
DIELECTRIC	TFE FOUOROCARBON PER MIL-P-19468 AND FED SPEC L-P-403	N/A
CENTER CONTACT	BERYLLIUM COPPER PER QQ-C-530	GOLD PLATE PER MIL-G-45204 OVER COPPER PLATE PER MIL-C-14550
RETAINING RING	BERYLLIUM COPPER PER QQ-C-533	N/A
GASKET	SILICON RUBBER PER ZZ-R-765, CLASS 2B	N/A

NOTES:
1. DESIGNED FOR USE WITH RG 405/U
(.085 S.R.) CABLE

CABLE ENTRY DIAMETER MINIMUM	
HOUSING	.080
CONTACT	.037

UNLESS OTHERWISE SPECIFIED
DIMENSIONS ARE IN INCHES
TOLERANCE ON

FRAC.	DEC.	ANGLES
± 1/64	± .006	± 1°

THESE DRAWINGS AND SPECIFICATIONS ARE THE PROPERTY OF OMNI SPECTRA INCORPORATED AND SHALL NOT BE REPRODUCED OR COPIED OR USED IN WHOLE OR IN PART AS THE BASIS FOR THE MANUFACTURE OR SALE OF ITEM(S) WITHOUT WRITTEN PERMISSION

DRAWN *BDW/wh* DATE *11/16/88*
CHECKED *M.Y. 11-23-88*
APPROVED *F. Zappa 11-29-88*
USE ASS'Y PROCEDURE
N2 A.P. 20-547

Omni Spectra MICROWAVE CONNECTOR DIVISION

TITLE OSM RIGHT ANGLE CABLE PLUG
DIRECT SOLDER ATTACHMENT
M.39012/50-3101 CAT. B

SIZE	CODE IDENT NO.	REV
B	26805	2007-8101-92 010

SCALE *[Symbol]* SHEET 1 OF 1

CUSTOMER 1051171
SHEET 10F1
REV 0