

THIS DRAWING IS UNPUBLISHED.

RELEASED FOR PUBLICATION

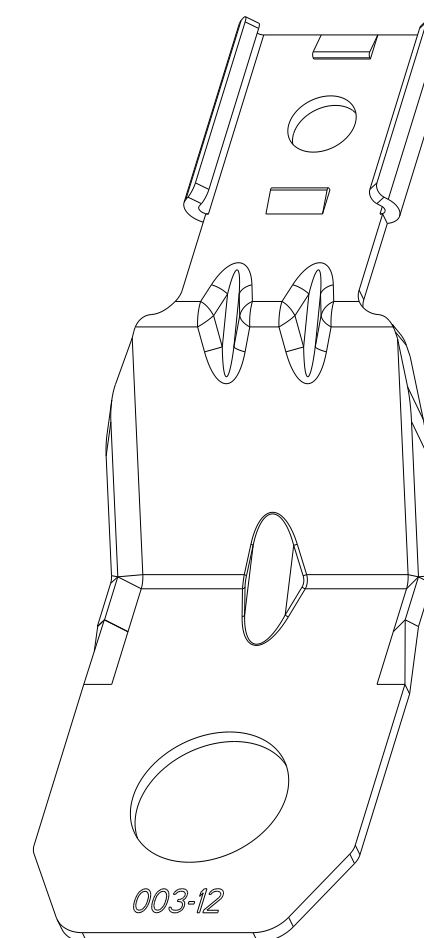
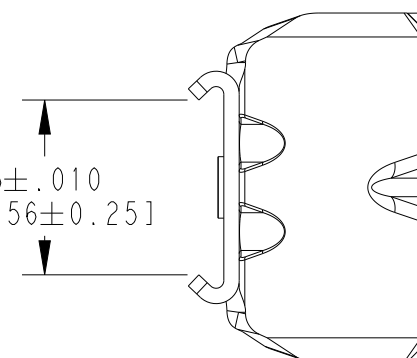
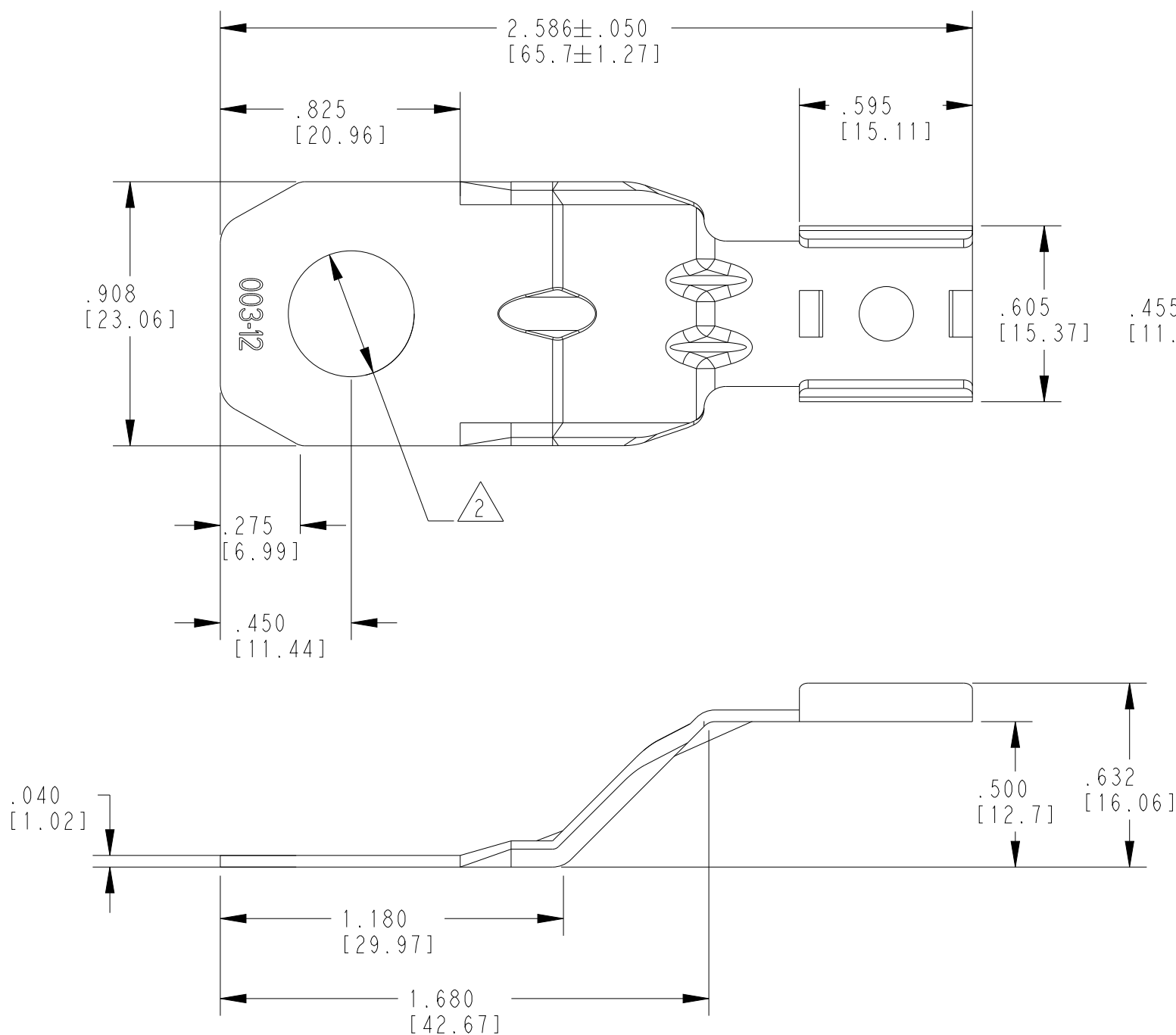
2021

© COPYRIGHT 2021 BY -

ALL RIGHTS RESERVED.

REVISIONS

P	LTR	DESCRIPTION	DATE	DWN	APVD
B		REVISED PER E.O. P17113	24JAN2001	-	RDR
C		REVISED PER E.O. P17413	17OCT2001	-	RDR
C1		REVISED PER PCN E-21-001566	11FEB2021	MK	IG
C2		REVISED PER PCN-23-189980	16OCT2023	GB	CB



3D VIEW

3. THIS PART MATES WITH ALL DT (EXCEPT FOR 8P), DTM, DTP, DTHD RECEPTACLES OR OTHER PARTS WITH THE CLIP RETENTION FEATURE.

2 PART INFORMATION.

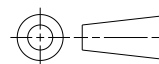
PART NUMBER	MATERIAL	HOLE DIAMETER
1027-003-1200	STAINLESS STEEL	11MM [.433 IN]
1027-004-1200	STEEL-ZINC PLATE	13MM [.512 IN]
1027-005-1200	STAINLESS STEEL	13MM [.512 IN]

1 ALL PART NUMBERS ARE IN ACCORDANCE WITH RoHS STANDARDS.

NOTES:

THIS DRAWING IS A CONTROLLED DOCUMENT.

DIMENSIONS: INCH [mm]



MATERIAL



TOLERANCES UNLESS OTHERWISE SPECIFIED:

0 PLC ±  
 1 PLC ±  
 2 PLC ±  
 3 PLC ±.025 [0.63]  
 4 PLC ±  
 ANGLES ±0°30'0"

FINISH



DWN 09NOV1999

S.THEIS

CHK 28AUG2001

T.YOHANNES

APVD 17SEP2001

R.REED

PRODUCT SPEC

APPLICATION SPEC

114-151009

WEIGHT 10.2 g

CUSTOMER DRAWING

NAME

METAL CLIP/MOUNTING BRACKET DT/DTM/DTP/DTHD

SIZE

A3

CAGE CODE

00779

DRAWING NO

1027-003-005-1200

RESTRICTED TO

-

SCALE 2:1

SHEET 1 OF 1

REV C2

