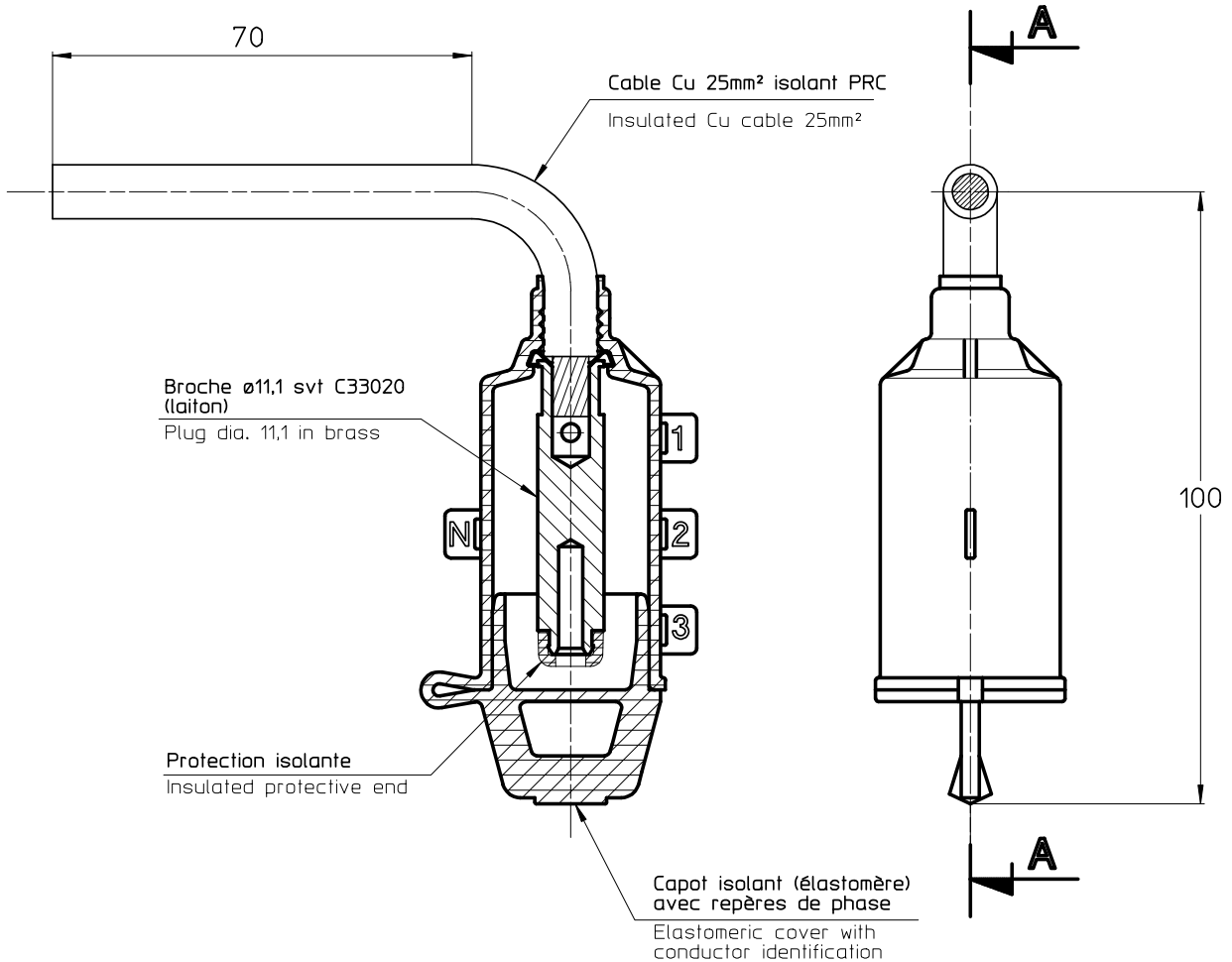


LOC	DIST	REVISIONS					
		P	LTR REV	DESCRIPTION MODIFICATIONS	DATE	DWN DESS.	APVD APPR
-	-		A	CREATION	21/10/13	JB	GN



Conditionné x10 sous sachet plastique + notice
 Packaged in a plastic bag with instruction sheet

La prise se monte dans les connecteurs à perforation d'isolant du type KZ2 et P2
 To be mounted in branch insulation piercing connector type KZ2 or P2

2011


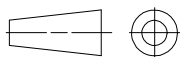
RELEASED FOR PUBLICATION
 LIBRE A LA DIFFUSION

ALL RIGHTS RESERVED.
 TOUS DROITS RESERVES

BY TYCO ELECTRONICS CORPORATION

THIS DRAWING IS UNPUBLISHED.
 DIFFUSION RESTREINTE

© COPYRIGHT 2011

DIMENSIONS: mm	DWN /DESSINE BERLAND	21/10/13	MATERIAL MATIERE	-	FINISH FINITION	-	
	CHK /VERIFIE DEREY	-	 TE connectivity SIMEL PRODUCTS				
TOLERANCES UNLESS OTHERWISE SPECIFIED PER TOLERANCES NON SPECIFIEES SELON :-	APVD /APPROUVE NEDELLEC	-					
	PRODUCT SPEC SPEC. PRODUIT	-	NAME TITRE				
	APPLICATION SPEC SPEC. APPLICATION	-	Temporary plug PMCC				
	APPROX. WEIGHT MASSE APPROX.	-	SIZE FORMAT	A4	CAGE CODE	00779	
			DRAWING NO No PLAN	© =1018731-2		RESTRICTED TO RESERVE A	
	CUSTOMER DWG / PLAN CLIENT		UNIQUEMENT POUR REFERENCE	SCALE ECHELLE	1:1	SHEET FEUILLE	1 OF 1 DE 1
						REV A	