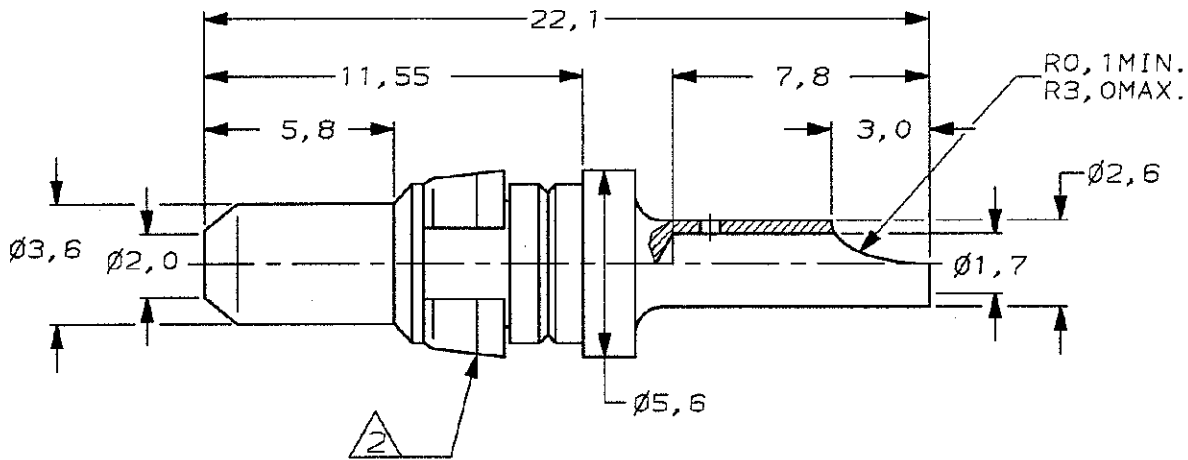
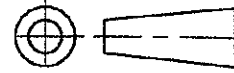


DO NOT SCALE

DIMENSIONS IN mm

METRIC

THIRD ANGLE
PROJECTION

NOTES:

- 1 SUITABLE FOR MALE D-IEC, DIN 41612
TYPE M MALE CONNECTORS AND 2mm Z-PACK HM
MALE CONNECTORS.

RETAINING RING.

GOLD (CLASS 1)		CONTACT ; BRASS			100071-1
FINISH		MATERIAL			PARTNUMBER
-	-	-	-	-	CUSTOMER DRAWING FOR REFERENCE ONLY WILL NOT BE UPDATED
-	-	-	-	-	© COPYRIGHT 19- BY AMP HOLLAND B.V. ALL INTERNATIONAL RIGHTS RESERVED. AMP PRODUCTS MAY BE COVERED BY U.S. AND FOREIGN AND/OR PATENTS PENDING.
-	-	-	-	-	THIS DRAWING IS UNPUBLISHED RELEASED FOR PUBLICATION , 19
-	-	-	-	-	AMP AMP HOLLAND B.V. 's-Hertogenbosch, The Netherlands.
B	EH-1414-97	J. G.	J. G.	12-12-97	NAME
A	H-9387	S. M.	-	11-12-91	POWER CONTACT MALE SOLDER CUP (10 AMP)
LTR.	REVISION RECORD	DR.	CHK.	DATE	
DR.:	J. V. LIEMPT	CHK.:	J. Gibbels	APP.:	-
DATE:	21-03-91	DATE:	12-12-97	DATE:	-
DWG. No.		REV. LTR.		SHEET	
C-100071		B		1 OF 1 A4	