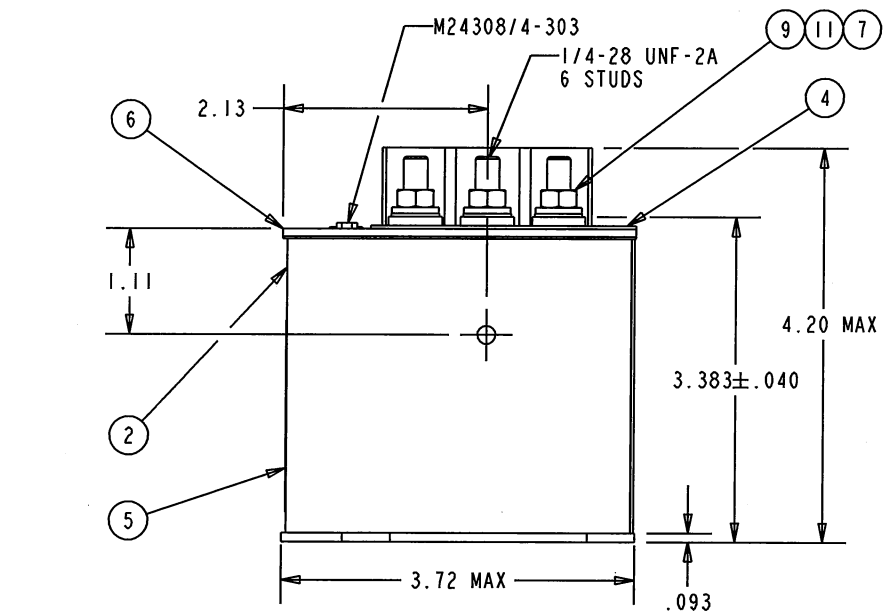
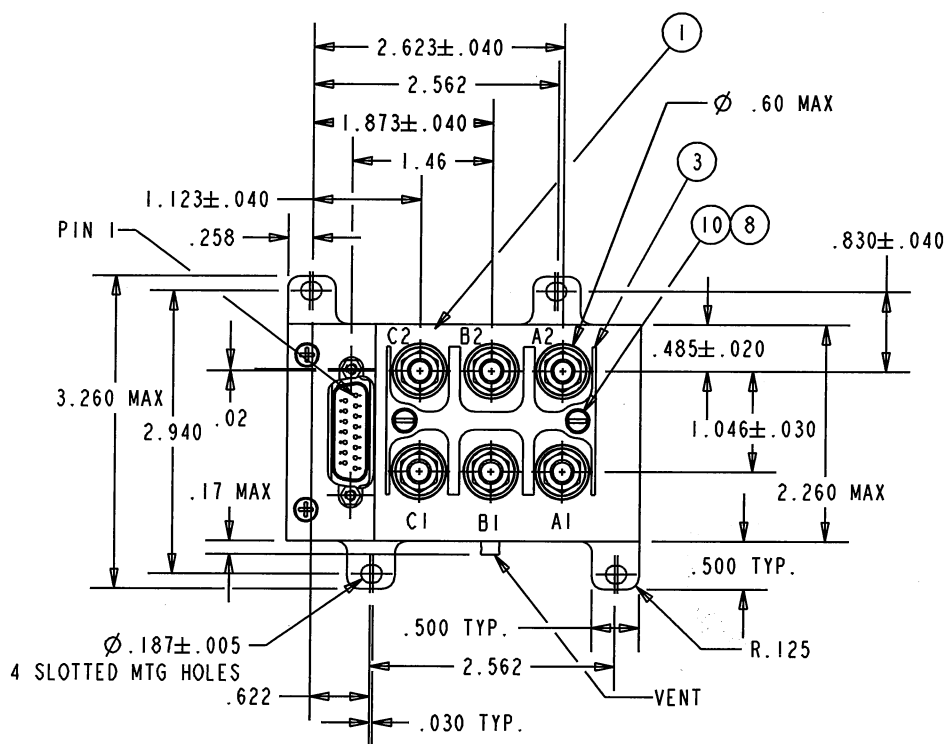
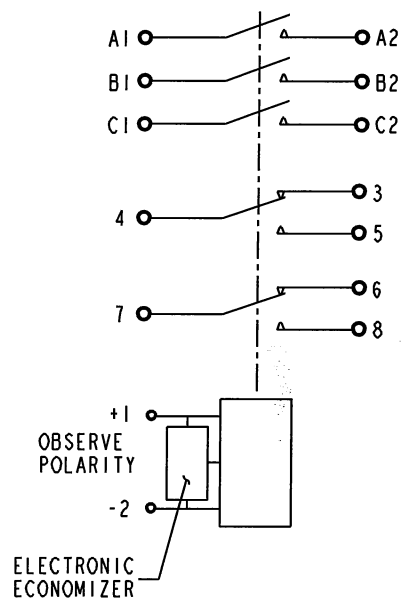


REVISIONS		RELEASED	
REV.	DESCRIPTION	DATE	APPROVED
A	RELEASED TO PRODUCTION	13-12-05	RSS



NOTE:
 1. RECOMMENDED CUSTOMER INSTALLATION TORQUE VALUES:
 - ITEM 8 - 4 IN-LBS
 - ITEM 7 - 56 IN-LBS



CONSTRUCTION GASKET SEALED

MAIN CONTACTS
 CONFIGURATION 3PST N.O
 VOLTAGE (NOMINAL) 115/200VAC (400Hz)

CURRENT
 RESISTIVE 130 AMPS
 RUPTURE 1500 AMPS

AUXILIARY CONTACTS
 CONFIGURATION 2 X SPDT
 VOLTAGE 28VDC
 CURRENT RESISTIVE 5 AMP

COIL DATA
 DUTY CYCLE CONTINUOUS (ECONOMIZED)
 VOLTAGE NOMINAL 28VDC
 PICKUP 18 VDC MAX
 DROPOUT 1.5-7 VDC

CURRENT
 INRUSH HOLD 8 AMPS MAX @ 32VDC, -40°C
 .4 AMPS

ENVIRONMENTAL DATA
 OPERATING TEMPERATURE -40°C TO 85°C
 ALTITUDE 50,000 FT

LIFE
 ELECTRICAL 50,000 CYCLES
 MECHANICAL 100,000 CYCLES

WEIGHT MAX 1.31 LBS.

FIND NO	QTY	RECD	PART OR IDENTIFYING NO	NOMENCLATURE OR DESCRIPTION	DRAWING OR SPECIFICATION	FSCM NO	TE PART NO	MATERIAL OR NOTE
11	6		51807-034	LOCKWASHER, 1/4 SPLIT				3-1616360-0
10	2		51804-010	WASHER LOCK NO.4 SPLIT				8-1616359-3
9	6		51703-064	WASHER FLAT 1/2 X 17/64 X .032				6-1616358-7
8	2		51204-961	SCREW 4-40 X 7/8 RD HD				3-1616345-1
7	6		50407-074	NUT 1/4-28 3/8 X 3/16 HEX				9-1616337-0
6	1		43154-110	CONTACTOR ASSEMBLY - PRIMARY				4-1616975-9
5	1		42913-010	PLATE - WIRING DIAGRAM				7-1616976-9
4	1		42912-003	BASE COVER PLATE				8-1616975-6
3	1		42726-001	SHIELD - TERMINAL				5-1616303-4
2	1		25695-001	PLATE - WARNING				2-1616209-6
1	1		16043-001	PLATE - NAME				3-1616169-5

UNLESS OTHERWISE SPECIFIED DIMENSIONS ARE IN INCHES TOLERANCES ON

2 PL DEC.	3 PL DEC.	ANGLES
±.06	±.010	± 1°

DR BY SP 09/08/07
 CHK BY ADM 13/12/06
 ENGR SP 09/08/07
 MFG DSH 13/12/11

SIZE CODE IDENT
 A 74063

SCALE 1:2 SHEET 1/1

STE
 Division 175 N. DIAMOND STREET MANSFIELD, OHIO 44902

CONTACTOR 3PST NO
 130 AMPS
 115/200 VAC (400 HZ)

DWG NO. B309A

REF TE PN 1-1616975-7