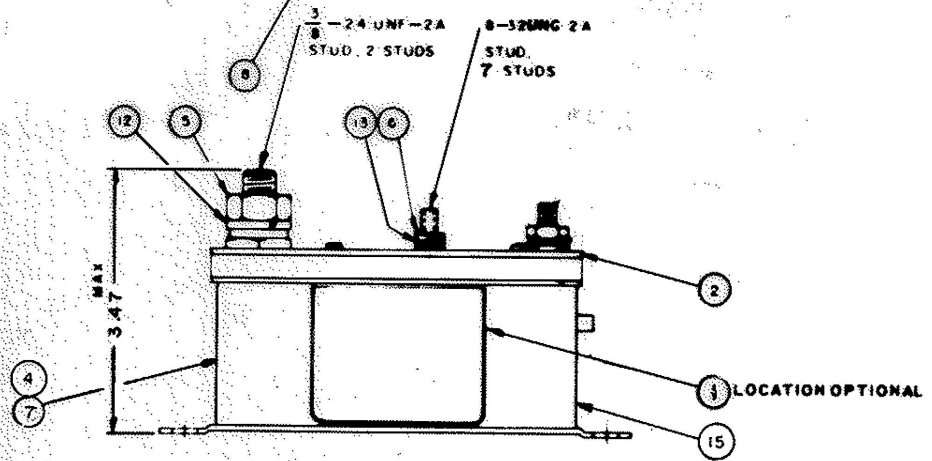
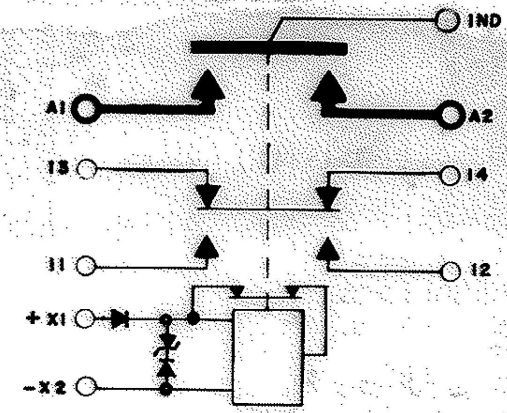
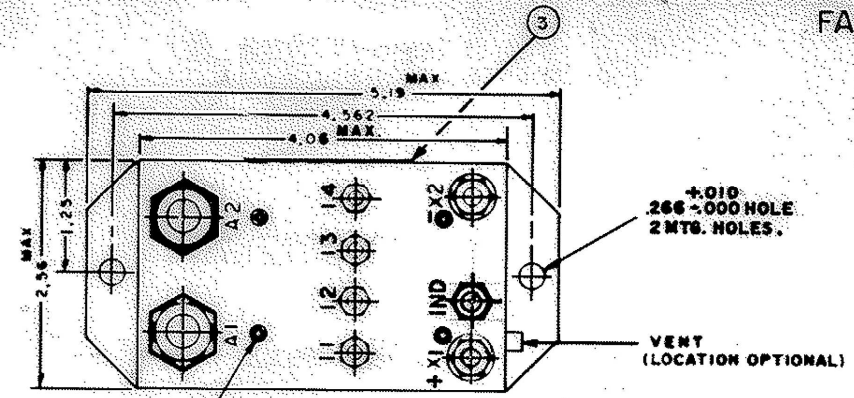


FAA/PMA

A-703R

REV	F	DESCRIPTION	DATE	APPROVED
E	17196	REMOVED NOTES 18, 2, AND 18(1) FROM WEIGHT, 0.6 TOL. WAS .03	10-8-84	[Signature]
F	21198	ADDED ITEMS 4-8, 7, CUSTOMER NO. 8 FAA/PMA	9-20-80	[Signature]



NOTES:
1. MOUNTING SURFACE SHALL PROVIDE ELECTRICAL GROUND.

CONSTRUCTION
MAIN CONTACTS
CONFIGURATION
VOLTAGE (NOMINAL)
CURRENT:

GASKET SEALED (VENTED)
5PST M.O.
28 VDC
400 AMP
1000 AMP FOR 30 SEC
1500 AMP INRUSH

AUXILIARY CONTACTS
CONFIGURATION
VOLTAGE
CURRENT RES.

FORM Z
28 VDC
5 AMP

COIL DATA
DUTY CYCLE
NOMINAL VOLTAGE
PICKUP AT 25°C
DROPOUT
COIL RESISTANCE AT 25°C
PICKUP
HOLD
SUPPRESSION
ENVIRONMENTAL DATA
AMBIENT TEMP
LIFE ELECTRICAL
LIFE MECHANICAL
WEIGHT MAX.

CONTINUOUS, ECONOMIZING
24 - 30 VDC
16 VDC MAX.
-7 VDC
± 20%
16 OHM
91 OHM
45 VDC
-55°C TO +71°C
50,000 CYCLES MIN.
100,000 CYCLES
2 LBS., 2 OZ.

QTY	NOMENCLATURE OR DESCRIPTION	PART OR IDENTIFYING NO	ITEM NO
1	CONTACTOR - ASSEM. - PRIMARY	34235-010	15
7	WASHER LOCK NO. 8 1/307 X 0.47 SPLIT BRZ	51808064 (ANS B8-8)	13
2	WASHER LOCK 3/8 X 0.88 X 0.94 SPLIT BRZ	51807084 (ANS B8-14)	12
4	SCREW NO. 4X1/4 S.S. SHEET METAL	51200020	8
1	PLATE - FAA/PMA	58400-087	7
7	NUT 8-32 X 5/16 X 3/32 HI BRASS	50408034	6
2	NUT 3/8-24 X 5/8 X 7/32 HI BRASS	50407164 (ANS 41-616)	5
1	OVERLAY	39529-024	4
1	PLATE - WARNING	17959-001	3
1	PLATE - BASE LOWER	33266-003	2
1	PLATE - NAME	16043-001	1

DATE: 2-8-76 DR BY: R.E.S.

DESIGNED FOR: **HARTMAN ELECTRICAL MANUFACTURING**

TOLERANCES UNLESS OTHERWISE SPECIFIED: 00 ± .06 — 000 ± .01

SCALE: NONE WEIGHT: SHEET

APPROVED: [Signature] R.S.N.

APPROVED: [Signature] I.E.S.

CODE IDENT NO: 74083 SIZE: C

A-703 R