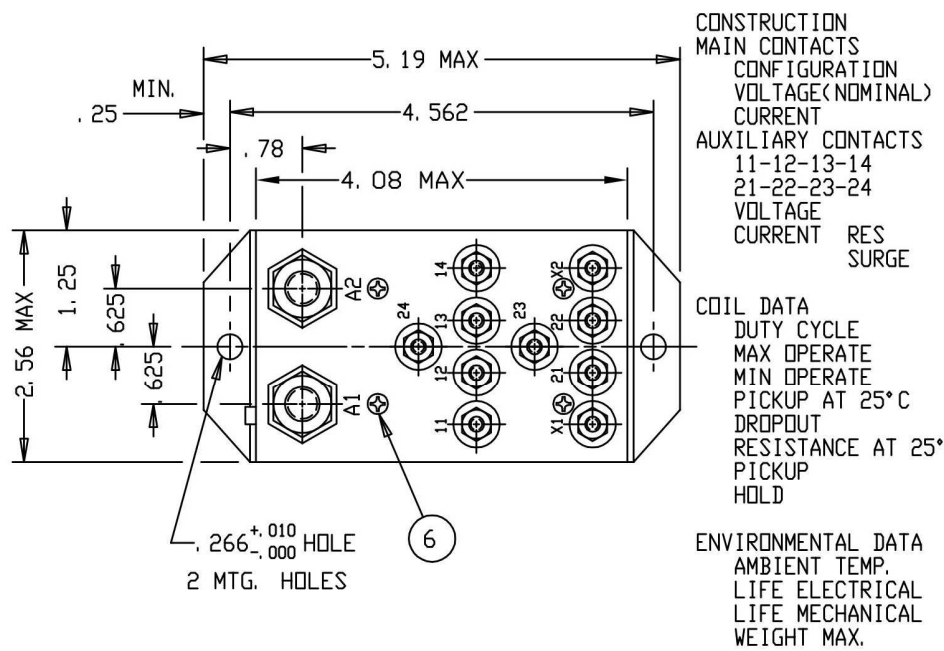


REVISIONS		RELEASED	
REV.	DESCRIPTION	DATE	APPROVED
D	22814 ITEM 1 WAS 16043-001	93/2/17	WS
E	22909 REDRAWN, ADD TO CAEDS	93/2/25	
F	24063 REMOVE TOL. 2.59 DIM. .08 WAS .06	93/6/25	
G	26298 ITEM 5 P/N WAS 50406-034	94/8/15	RS
H	42618 ADDED BALLBOON 6; UPDATED NOTE 2; REMOVED B/C 3367	00/06/02	
J	15-017409 4.08 MAX WAS 4.06 MAX; ADDED 2.62/2.56 & 3.28/3.10	15/12/03	MDM



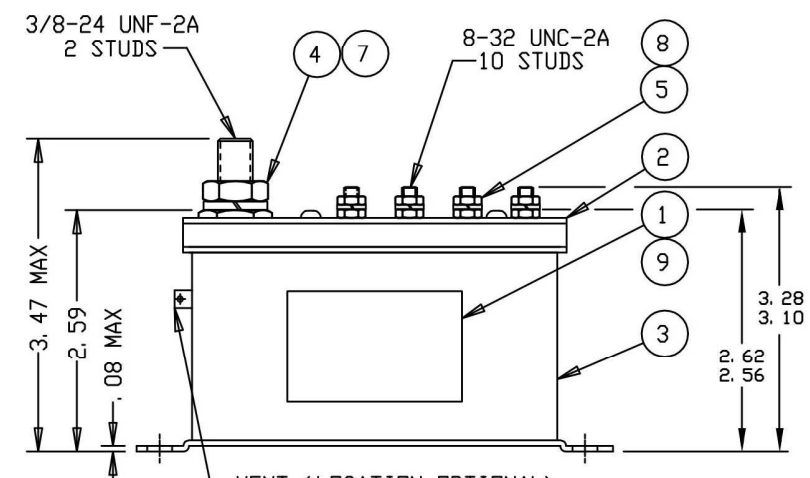
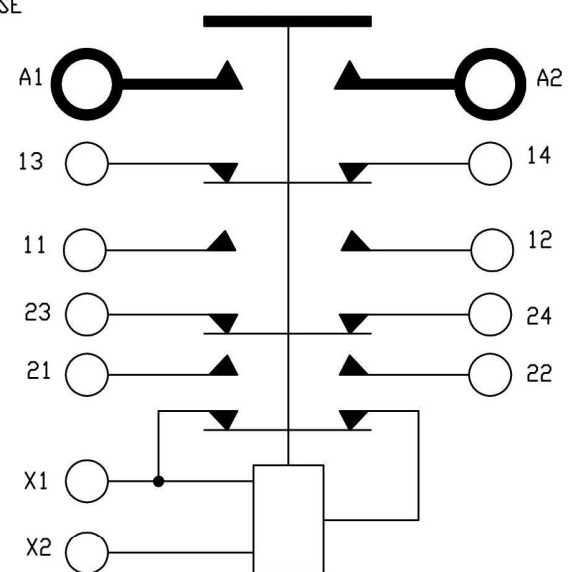
GASKET SEALED (VENTED)

SPST N. O.
28 VDC
400 AMP

FORM Z OPERATE BEFORE MAINS CLOSE
SPDT FORM Z
28 VDC/115V 400 HZ
5 AMP, 10 AMP CARRY ONLY
30 AMP CARRY ONLY FOR 0.1 SEC.

CONTINUOUS (ECONOMIZING)
31 VDC
18 VDC
16 V MAX
1.5-7 V
±20%
16 OHM
91 OHM

-55°C TO +71°C MAX.
50,000 CYCLES MIN.
100,000 CYCLES MIN.
2 LBS. 2 OZ.



- NOTES:
1. MOUNTING SURFACE SHALL PROVIDE ELECTRICAL GROUND.
 2. UNIT DESIGNED TO MEET THE MATERIAL AND WORKMANSHIP OF MIL-R-6106.

9	1	39529-001	OVERLAY-NAME PLATE			
8	10	51808-064	WASHER, LOCK NO. 8 X, 307 X, .047 SPLIT			BRONZE
7	2	51807-084	WASHER, LOCK 3/8 X .688 X .094 SPLIT			BRONZE
6	4	51200-020	SCREW, NO. 4 X 1/4 SHEET METAL			S. S.
5	10	50408-034	NUT, 8-32 X 5/16 X 3/32 HEX			BRASS
4	2	50407-164	NUT, 3/8-24 X 5/8 X 7/32 HEX			BRASS
3	1	38257-010	CONTACTOR, ASSEMBLY-PRIMARY			
2	1	33266-008	PLATE-BASE COVER			
1	1	16043-009	PLATE-NAME			

FIND NO	QTY REQD	PART OR IDENTIFYING NO	NOMENCLATURE OR DESCRIPTION	FSCM NO	DRAWING OR SPECIFICATION	MATERIAL OR NOTE
UNLESS OTHERWISE SPECIFIED DIMENSIONS ARE IN INCHES TOLERANCES ON						
2 PL DEC. 3 PL DEC. ANGLES						
			DR BY CSC 00-06-16	<p>Hartman Division 175 N. DIAMOND STREET WANSFIELD, OHIO 44092</p> <p>CONTACTOR SPST N. O. 400 AMP, 28 VOLTS</p> <p>093</p>		
			CHK BY CC 00-06-21			
			ENGR JL 00-06-21			
			MFG MB 00-06-22			
			RELEASE	SIZE C	CODE IDENT 74063	DWG NO. A-703GC
			CONTR NO.			
			GOVT APPVL			
			SCALE NONE SHEET	REF TE P/N 1-1616058-6		

DASH NO.	NEXT ASSY	USED ON
APPLICATION		