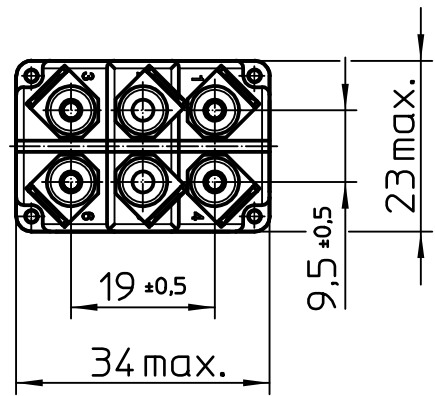
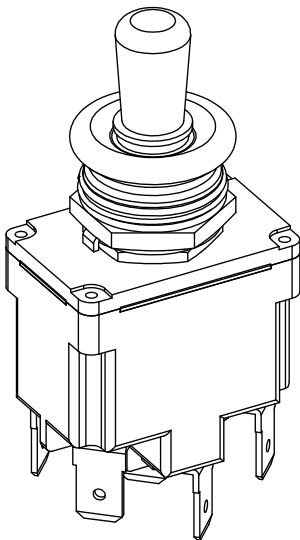
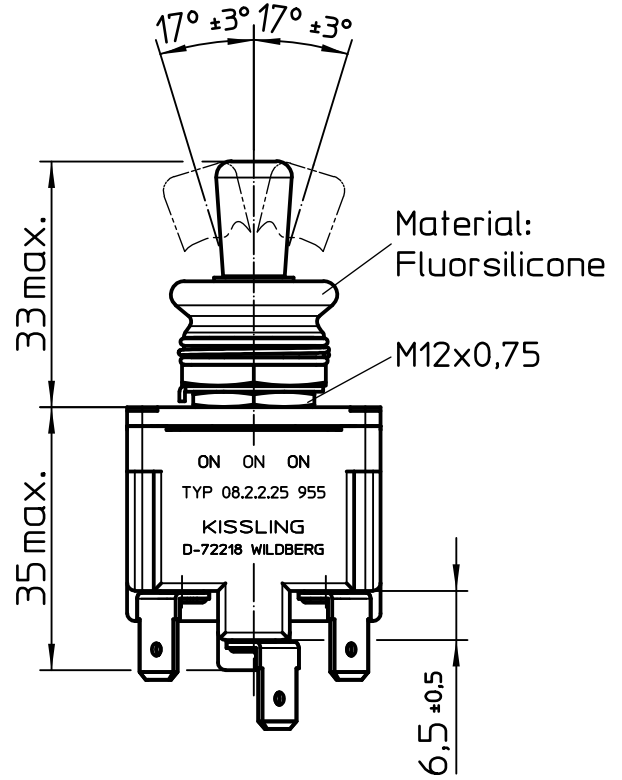


keyway

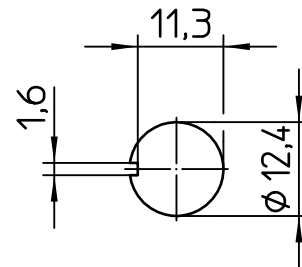
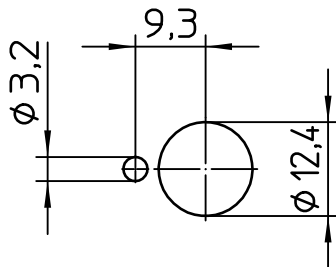
opposite keyway



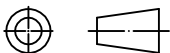
Mounting Detail

with locking ring

without locking ring



Third Angle Projection



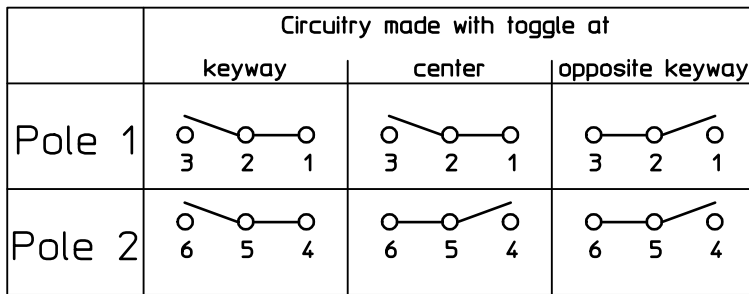
	Date	Name
Drawn	15.07.2011	Stock
Check	15.07.2011	Stock

mm	Scale
	1:1
General Tolerances	
DIN ISO 2768 mK	



Drawing No:	08-2-2-25 955
NSN:	

Circuit Diagram



Actuation

- momentary keyway side
- locking center position
- locking opposite keyway side

Construction

Material, Casing Duroplast GF
 Material, Cover GD-ZnAl4Cu1
 Connections Faston DIN 46 244-A6,3-0,8
 Protection Interior IP 6K7 DIN 40 050 Part 9
 Connections IP 00 DIN 40 050 Part 9

Mechanical Data

Current carrying parts CuZn-Alloy
 Contacts Ag
 Ambient Temperature Range -55°C to +85°C
 Storage Temperature Range -65°C to +85°C
 Life Cycle iaw VG 95 210 Part 21, grade H 100.000 operations
 Good resistance of the seal element (bellow) against UV-light

Electrical Data

Voltage 28 V DC ohmic Load 18A
 28 V DC inductive Load at L/R = 5 ms 10A
 28 V DC lamp Load 5A
 115 V AC ohmic Load 11A
 115 V AC inductive Load cos. Φ = 0,75, 8A
 115 V AC lamp Load 2A
 Motor Load utilisation category AC3 (see DIN VDE 0660 Part 107) 5A

Min. Rating 12 V DC, 20 mA

It is recommended to use gold-plated contacts
 for lower currents or voltages.

	Date	Name	mm	Scale		Drawing No:
Drawn	15.07.2011	Stock	1:1			08-2-2-25 955
Check	19.07.2011	Stock	General Tolerances DIN ISO 2768 mK			NSN.: