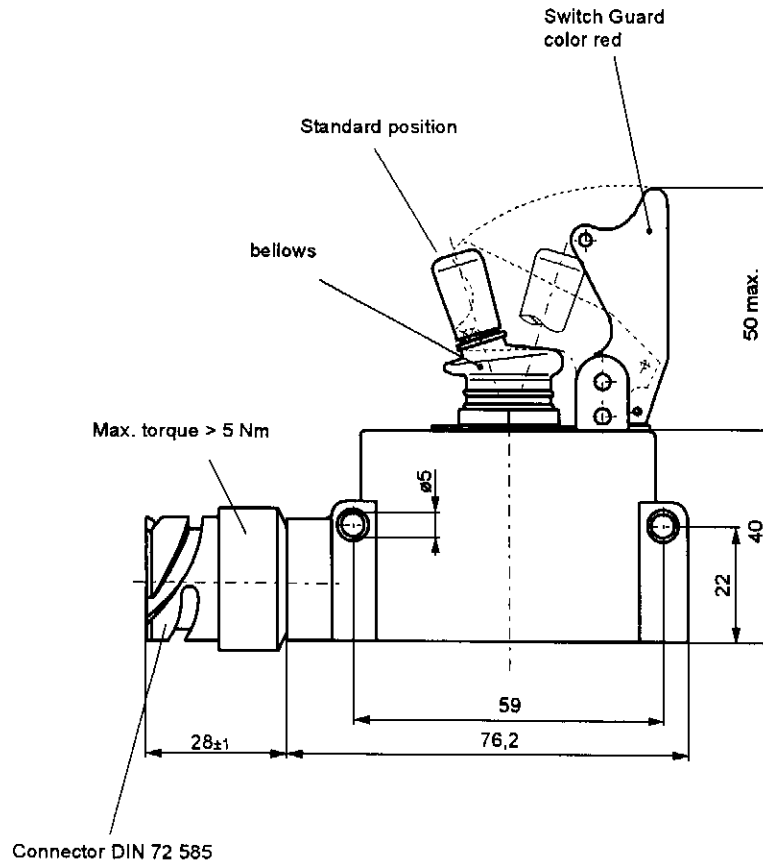
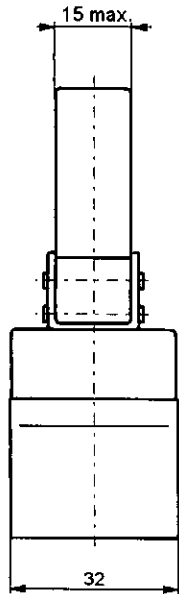


Circuit Diagram

Circuitry made with toggle at	
Stand. Pos.	Act. Pos.

locks in actuation position
locks in standard position



Construction

Material, Casing Thermoplast
 Material, Cover Thermoplast
 Protection IP 6K7 DIN 40 050 Part 9
 Recommended mounting bolt M4 iaw DIN EN ISO 1580 or 7045 with washer

Mechanical Data

Current carrying parts CuZn - Alloy
 Contacts AgCdO 90/10
 Ambient Temperature Range -35° C to +60° C
 Storage Temperature Range -35° C to +80° C
 Life Cycle 100 000 operations

Electrical Data

Voltage 12 VDC ohmic Load 20 A
 28 VDC ohmic Load 20 A
 28 VDC inductive Load at L/R = 5 ms 15 A
 28 VDC lamp Load 7 A
 115 VAC ohmic Load 15 A
 115 VAC inductive Load cos.φ = 0,75, 15 A
 115 VAC lamp Load 4 A
 Motor Load utilisation category AC 3 (see DIN VDE 0660 Part 107) 5 A
 Min. Rating 12 VDC, 20 mA

It is recommended to use gold-plated contacts for lower currents or voltage.

07.2.2.10 917

EC No.			Kippschalter		Page 1 von 1 Wiring & Dimensions
1999	Date	Name	General Tolerances	Scale	Order-Sign:
Design	26.03.	G. Kallert	ISO 2768 mK	1:1	 Elektrotechnik - GmbH & Co. KG D-72218 Wildberg
Check					
Appro					