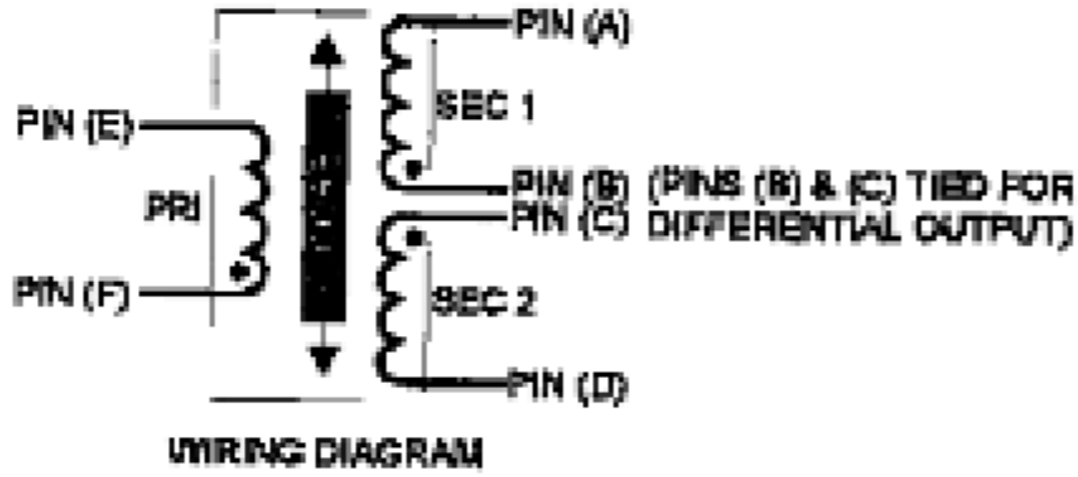
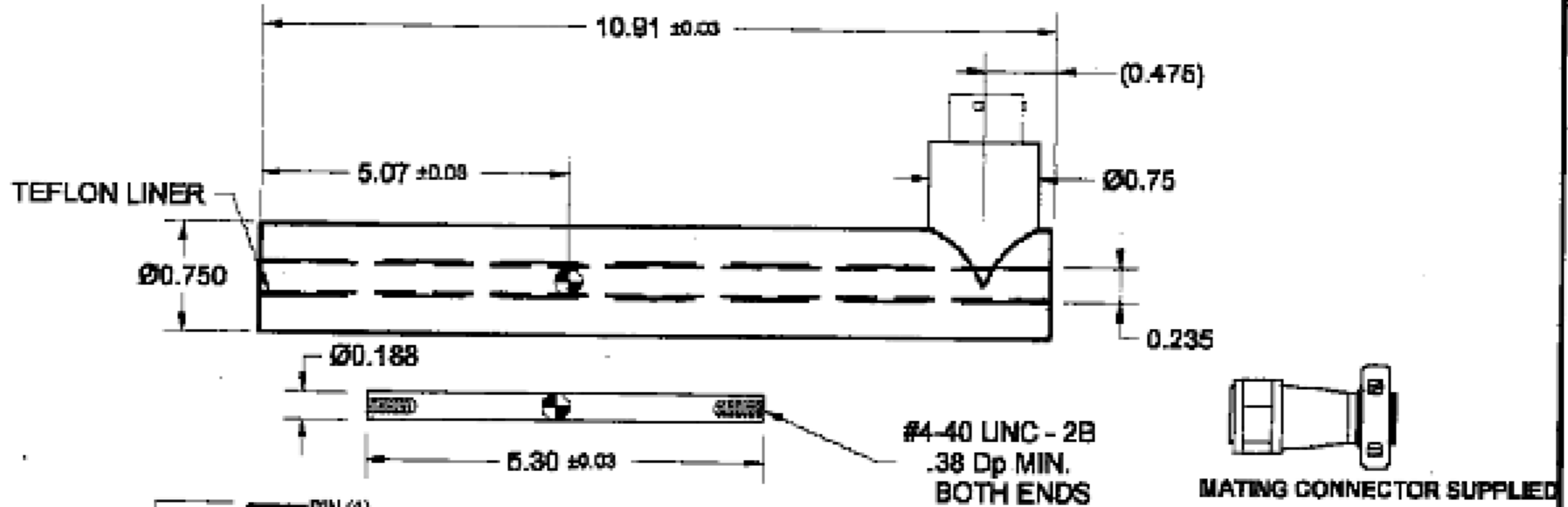


REVISIONS				
P	LTR	DESCRIPTION	DATE	APVD
-	-	-	-	-

SPECIFICATIONS
 INPUT VOLTAGE: 3.0 V rms (NOM)
 INPUT FREQUENCY: 2.5 KHz (NOM)
 ELECTRICAL STROKE: ± 2.00 INCHES
 SENSITIVITY: 0.20 mV/VOLT/ .001 INCH
 NON-LINEARITY: ± 0.25 % OF FULL RANGE (MAX)
 PHASE SHIFT: 0°
 IMPEDANCE:
 PRIMARY: 574 OHMS (NOM)
 SECONDARY: 281 OHMS (NOM)
 OPERATING TEMPERATURE: -20° TO 300° F
 SHOCK SURVIVAL: 1000 g's, 11ms
 VIBRATION (20 UP TO 2000 Hz): 20 g's rms

REVISIONS			
REV.	DESCRIPTION	DATE	APPL.



⊕ DENOTES CENTER OF CORE AT ELECTRICAL MID POINT

UNLESS OTHERWISE SPECIFIED ALL DIMENSIONS ARE IN INCHES TOLERANCES ARE: FRACTIONS: ± 0.0005 DECIMAL: ± 0.001 DIMENSIONS IN PARENTHESES ARE FOR INFORMATION ONLY AND ARE NOT TO BE USED FOR MANUFACTURING PURPOSES.		DRAWN: S.E.A. CHECKED: APPROVED: DATE: 11 FEB 03	DATE: DATE: DATE: DATE:	Macro Sensors Div. of Howard A. Saffery's Technologies, Inc. HSAR 750 2000-010 OUTLINE C.A.G.B. No. 08WV0 DRAWING No. 010915050010 SCALE: NONE SHEET No. 4 of 4
FINISH:		APPROVED:	DATE:	

MATERIAL:

THIS DRAWING IS A CONTROLLED DOCUMENT.		DWN: -		
DIMENSIONS: INCHES		CHK: -		
TOLERANCES UNLESS OTHERWISE SPECIFIED: 0 PLC ± - 1 PLC ± - 2 PLC ± - 3 PLC ± - 4 PLC ± - ANGLES ± - FINISH		APVD: -	NAME: HSAR 750 2000-010 OUTLINE	
MATERIAL: -		PRODUCT SPEC: -	SIZE: A2	CAGE CODE: 00779
		APPLICATION SPEC: -	DRAWING NO: 010915050010	
		WEIGHT: -	RESTRICTED TO: -	
		CUSTOMER DRAWING	SCALE: NTS	SHEET: 1 of 1