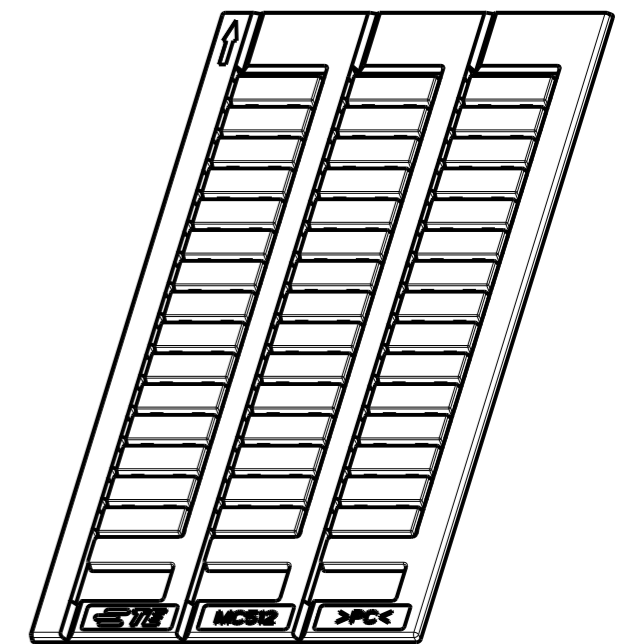
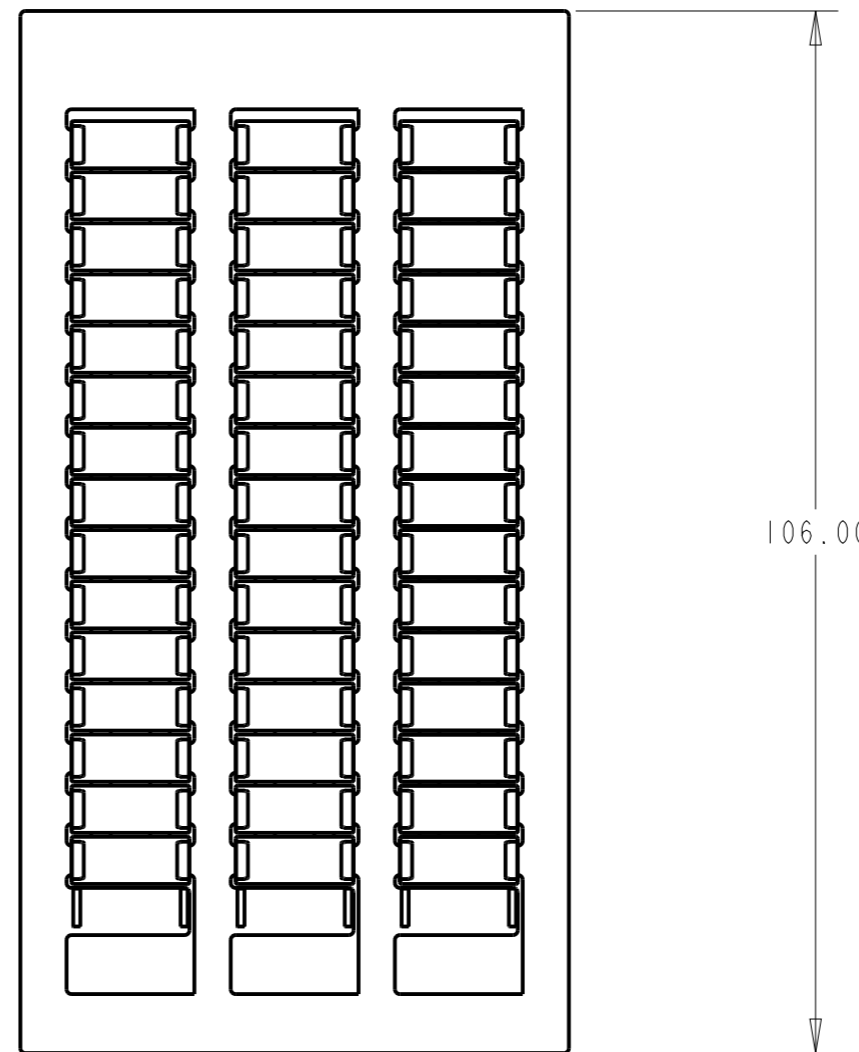
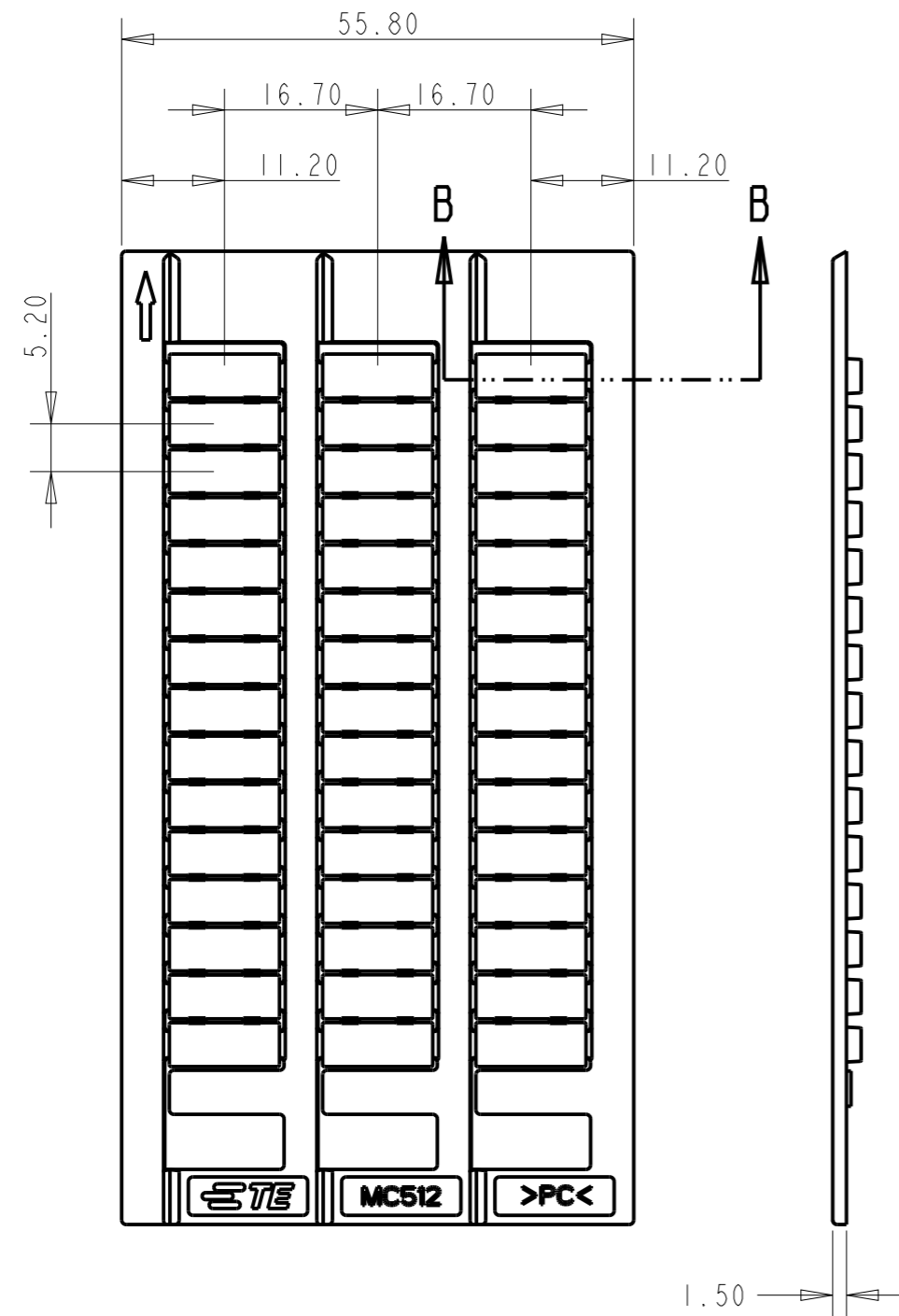
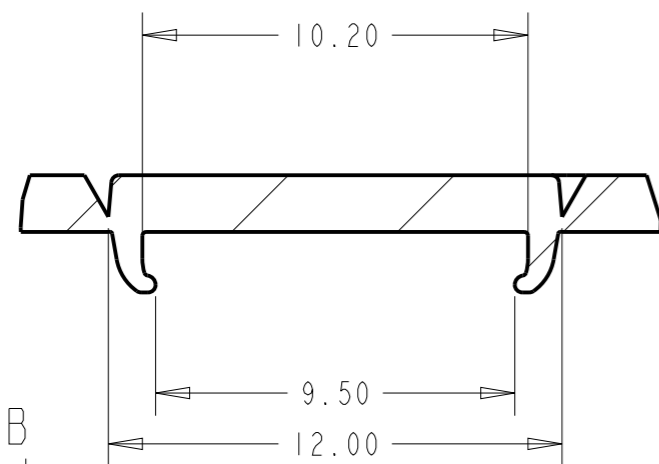


P	LTR	DESCRIPTION	DATE	DWN	APVD
	A	First Released	08JAN2021	DS	VR



SCALE 1:1



COUPE B-B
Echelle 5:1

		MC512-YL	ISNK140004R0000
		MC512	ISNK140000R0000
FINISH	MATERIAL	DESCRIPTION	PART NO

THIS DRAWING IS A CONTROLLED DOCUMENT.		DWN Dyara Silva	20NOV2020	STE TE Connectivity	
DIMENSIONS: mm		CHK -	APVD -		
TOLERANCES UNLESS OTHERWISE SPECIFIED:		PRODUCT SPEC -		NAME MC512 MC512	
0 PLC ±-		APPLICATION SPEC -		SIZE A3	
1 PLC ±0.1		WEIGHT -		CAGE CODE 00779	
2 PLC ±0.01		CUSTOMER DRAWING		DRAWING NO C-000082118-0100	
3 PLC ±0.001		SCALE 5:1		RESTRICTED TO -	
4 PLC ±0.0001		SHEET 1		OF 1	
ANGLES ±-		REV A			
MATERIAL -					
FINISH -					