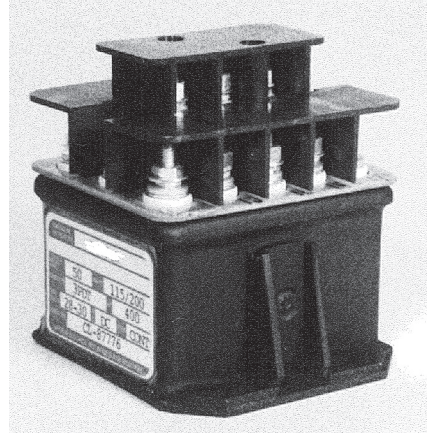


D18, DH18 and DHR18 Series, Rated up to 50 Amps, 115/200 VAC, 400 Hz

Product Facts

- 3PDT, Center off
- Gasket sealed or Hermetically sealed
- Meets many requirements of MIL-PRF-6106



For factory-direct application assistance, phone 419-521-9500 or fax 419-526-2749.

Performance Data

Electrical Characteristics

Contact Arrangement — 3PDT, Center Off

Rated Operating Voltage — 115/200 VAC, 400 Hz

Resistive Rating — 50 Amps

Inductive Rating — 50 Amps

Motor Rating — 30 Amps

Lamp Rating — 15 Amps

Rupture Rating — 400 Amps

General Characteristics

Temperature Range — -55°C to +71°C

Operating Cycles (Life) at Rated Resistive Load, Min. — 50,000 cycles

Operating Cycles (Life) Mechanical, Min. — 100,000 cycles

Dielectric Strength — All Circuits to Ground — 1,500 Vrms
Circuit to Circuit — 1,500 Vrms
Coil to Ground and Aux. Contacts — 1,000 Vrms

Insulation Resistance, Initial — 100 megohm min.

Altitude — D-18 — 50,000 ft.
DH-18, DHR-18 — 80,000 ft.

Weight, Max. — .94 to 1.50 lbs

Sinusoidal Vibration

10 G @ 70 to 2,000 Hz

Shock, Max. — 25 G

Operate Time @ Nom. Voltage, Max. — 35 msec

Release Time @ Nom. Voltage, Max. — 15 msec

Bounce Time @ Nom. Voltage, Max. — 5 msec

Coil Characteristics

Duty Cycle

AC Continuous (Type E, See diagram below)

DC Continuous (Type A-D, See diagram below)

Operating Voltage, Nom. — 28 Vdc

Pickup Voltage @ 25°C, Max. —

Coil Type A — 18 Vdc

Coil Type B — 15 Vdc

Dropout Voltage @ 25°C, Max. —

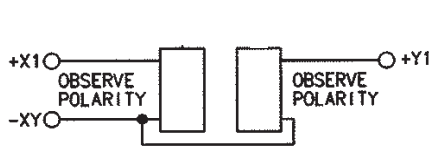
Coil Type A — 1.5 to 7 Vdc

Coil Type B — 2.5 to 6.5 Vdc

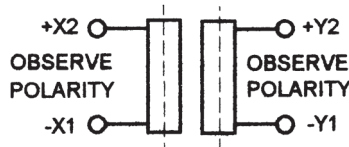
Coil Resistance ±20% @ 25°C — 175 Ohms

Coil Current @ 25°C, Max. — .175 Amp

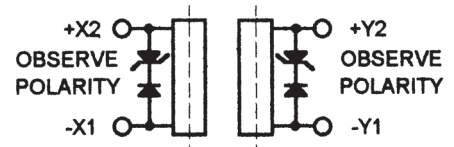
Coil Type



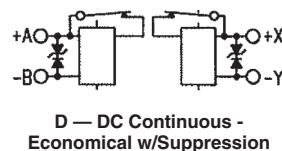
A — DC Continuous



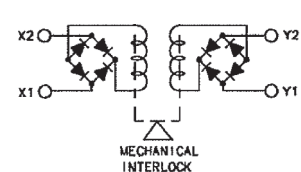
B — DC Continuous



C — DC Continuous with Suppression



D — DC Continuous - Economical w/Suppression

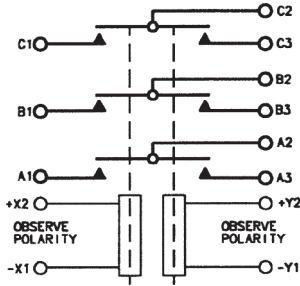


E — AC Continuous

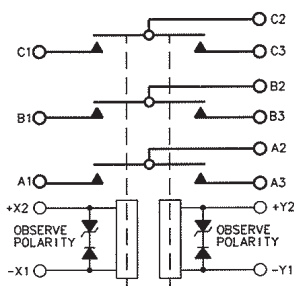
For factory-direct application assistance, phone 419-521-9500 or fax 419-526-2749.

D18, DH18 and DHR18 Series Contactors, Rated up to 50 Amps, 115/200 VAC, 400 Hz (Continued)

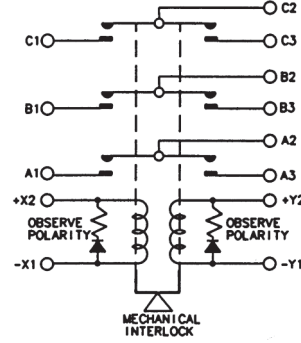
Circuit Configurations (Consult factory for other available circuit configurations)



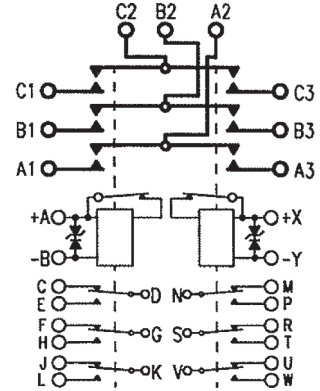
Circuit Configuration 1



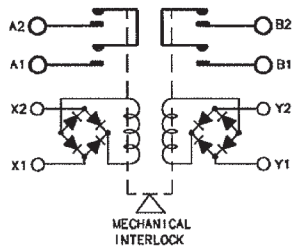
Circuit Configuration 2



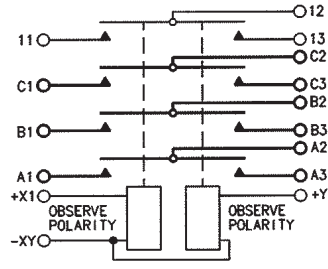
Circuit Configuration 3



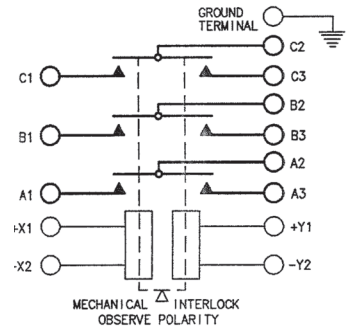
Circuit Configuration 4



Circuit Configuration 5



Circuit Configuration 6



Circuit Configuration 7

HARTMAN Part Number	Construction Type	Mounting Style	Coil Type	Circuit Config.	TE Part Number
D-18	Gasket/Vented	A	A	1	1616048-1
D-180A	Gasket/Vented	D	C	6	1616048-2
D-18AA	Gasket/Vented	A	B	2	1616048-3
D-18F	Gasket/Vented	A	B	3	1616048-4
D-18ZZC	Gasket/Vented	B	D	4	1-1616957-3
DH-18	Hermetically Sealed	A	A	1	1616050-1
DH-18Y	Hermetically Sealed	A	A	7	1616524-3
DR-18E-5	Gasket/Vented	C	E	5	1616099-1

For factory-direct application assistance, phone 419-521-9500 or fax 419-526-2749.