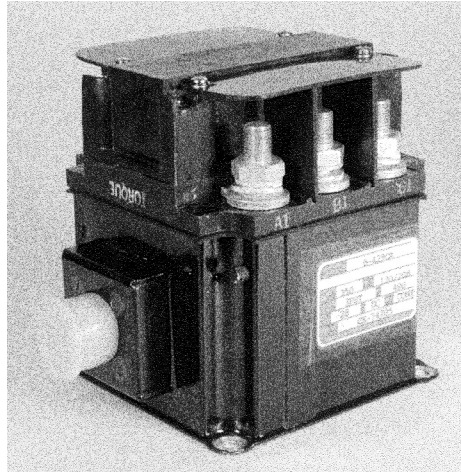


B-429 Series, 260/350 Amps, 115/200 VAC or 120/208 VAC

Product Facts

- 3PST NO, Double break
- Gasket sealed
- Auxiliary contacts available
- Meets many requirements of MIL-PRF-6106



Performance Data

Electrical Characteristics

Contact Arrangement — 3PST NO, Double Break

Rated Operating Voltage —
 B-429-1 and B-429W — 115/200 VAC, 400 Hz, 3 phase
 B-429CA — 120/208 VAC

Resistive Rating —
 B-429-1 — 275 Amps
 B-429CA — 350 Amps
 B-429W — 260 Amps

General Characteristics

Temperature Range —
 -55°C to +85°C

Operating Cycles (Life) at Rated Resistive Load, Min. —
 50,000 cycles

Operating Cycles (Life) Mechanical, Min. — 100,000 cycles

Dielectric Strength —
 All Circuits to Ground — 1,500 Vrms
 Circuit to Circuit — 1,500 Vrms
 Coil to Ground and Aux. Contacts — 1,000 Vrms

Insulation Resistance, Initial —
 100 megohm min.

Altitude — 50,000 ft.

Weight, Max. — 4.0 lbs

Coil Characteristics

Duty Cycle — Continuous, economized with suppression (Type A or B, See diagram below)

Operating Voltage, Nom. — 28 Vdc

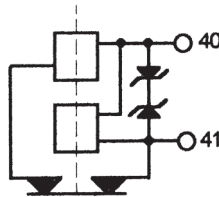
Pickup Voltage, Max. —
 Coil Type A — 15 Vdc
 Coil Type B — 18 Vdc

Dropout Voltage, Max. —
 Coil Type A — 1.5 to 10 Vdc
 Coil Type B — 1 to 7 Vdc

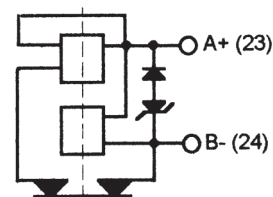
Coil Current Inrush —
 Coil Type A — 6 Amps
 Coil Type B — 2.7 Amps

Coil Current Holding —
 Coil Type A — 0.6 Amps
 Coil Type B — 0.56 Amps

Coil Type



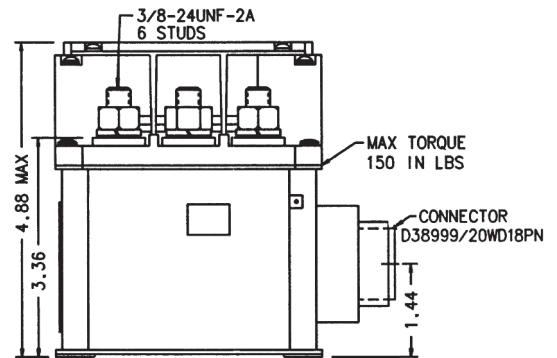
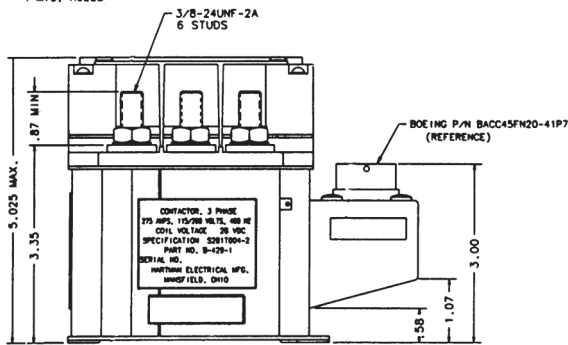
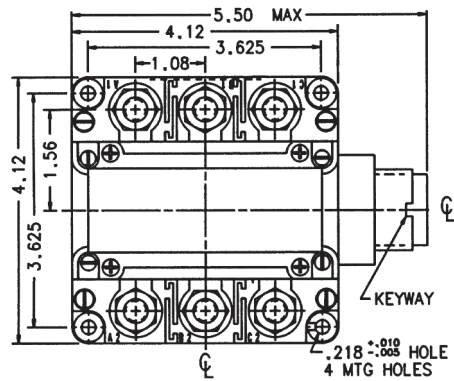
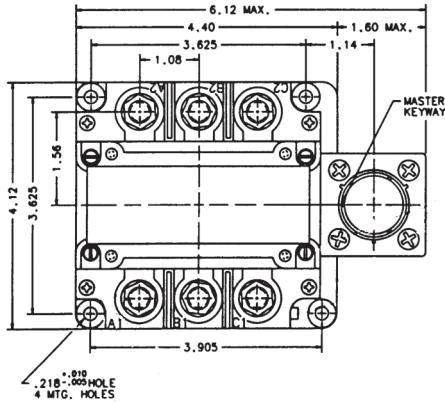
A — Continuous, Economized with Suppression



B — Continuous, Economized with Suppression

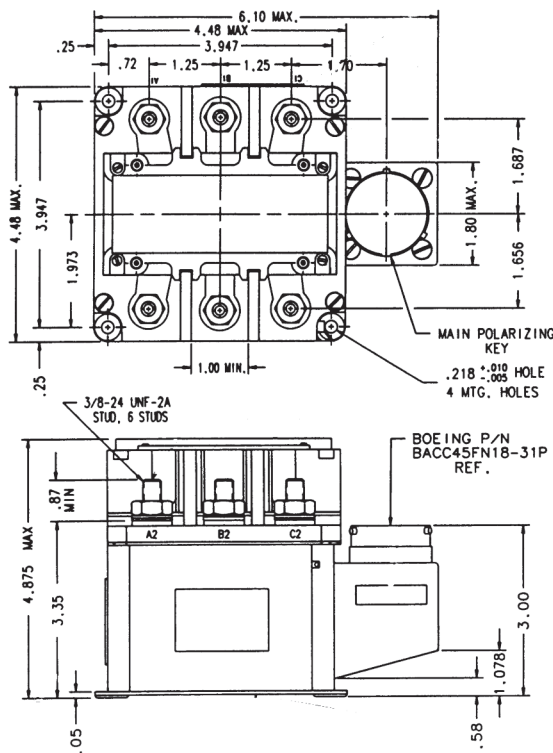
For factory-direct application assistance, phone 419-521-9500 or fax 419-526-2749.

B-429 Series, 260/350 Amps, 115/200 VAC or 120/208 VAC (Continued)



Mounting Style A

Mounting Style B

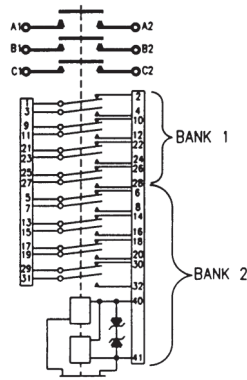


Mounting Style C

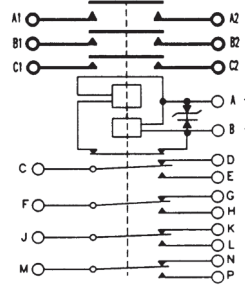
For factory-direct application assistance, phone 419-521-9500 or fax 419-526-2749.

B-429 Series, 260/350 Amps, 115/200 VAC or 120/208 VAC (Continued)

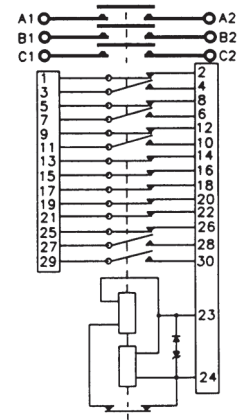
Circuit Configurations (Consult factory for other available circuit configurations)



Circuit Configuration 1



Circuit Configuration 2



Circuit Configuration 3

HARTMAN Part Number	Construction Type	Mounting Style	Coil Type	Circuit Config.	TE Part Number
B-429W	Gasket/Vented	B	B	3	1616005-6
B-429-1	Gasket/Vented	A	A	1	1616005-1
B-429CA	Gasket/Vented	A	B	2	1616005-4

For factory-direct application assistance, phone 419-521-9500 or fax 419-526-2749.