

B-188 Series External Power Monitor, 115 VAC, 400 Hz

Product Facts

- SPST
- Gasket Sealed
- Over/under frequency protection
- Over/under voltage protection
- Dust tight



Performance Data

Electrical Characteristics

Contact Arrangement — SPST

Rated Operating Voltage — 115 VAC/28 Vdc, 3 phase, 400 Hz

Resistive Rating — 3 Amps

General Characteristics

Operating Temperature Range — -54°C to +71°C

Dielectric Strength — Leakage current will not exceed .001 Amps when unit is subjected to test of Para. 4.6.2 of MIL-E-24021A

Altitude — 0-40,000 ft

Weight, Max. — .75 lb

Sinusoidal Vibration — 5-15.5 CPS ± 0.13 G, 15.5-54 CPS 0.01 inch DA, 54-500 CPS ± 1.5 G

Shock, Max. — 10 G 30 ± 1 ms

Operation — Contacts will remain as shown (off condition) until input power is anywhere within the “on” zone. Contacts will revert to off condition whenever input voltage and/or frequency is above the high side or below the low side “off”. Limits for time intervals exceeding the transient period.

Limits

“On” zone —

“On” zone voltage limits 100 to 120 volts rms all phases

“On” zone frequency limits 380 to 420 CPS

“Off” limits —

High side voltage “off” limits — 131 ± 5 volts 3 \emptyset (highest of 3 \emptyset)

High side frequency “off” limits — 425 ± 5 CPS

Low side frequency “off” limits — 375 ± 5 CPS

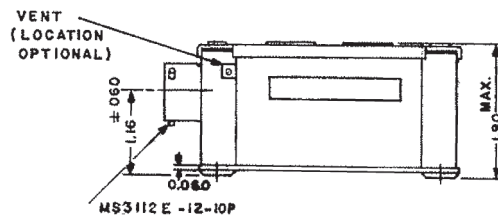
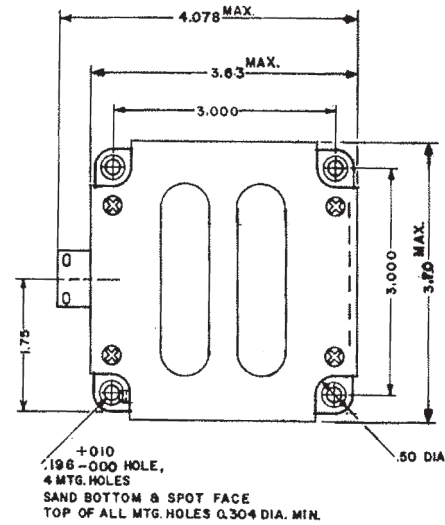
Voltage Transient Limits —

High Side — above limit 2 but below limit 1 of Fig. 2 MIL-STD-704, 3 \emptyset (highest of 3 \emptyset)

Low Side — below limit 3 Fig. 2 MIL-STD-704

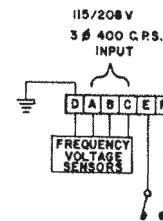
Over and Under frequency time delay 3 ± 1 sec.

Output rating SPST 3 AMP Ind. 28 V DC/115 V 400 CPS



Mounting Style A

Circuit Configurations (Consult factory for other available circuit configurations)



Circuit Configuration 1

For factory-direct application assistance, phone 419-521-9500 or fax 419-526-2749.

HARTMAN Part Number	Construction Type	Mounting Style	Coil Type	Circuit Config.	TE Part Number
B-188MA-1	Gasket/Vented	A	N/A	1	1616114-7