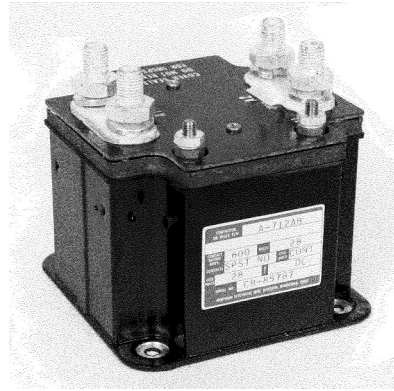


**A-712 Series, Rated up to 600 Amps, 28 Vdc**

**Product Facts**

- SPST NO, Double break
- Gasket sealed
- Meets requirements of MIL-PRF-6106



**Performance Data**

**Electrical Characteristics**

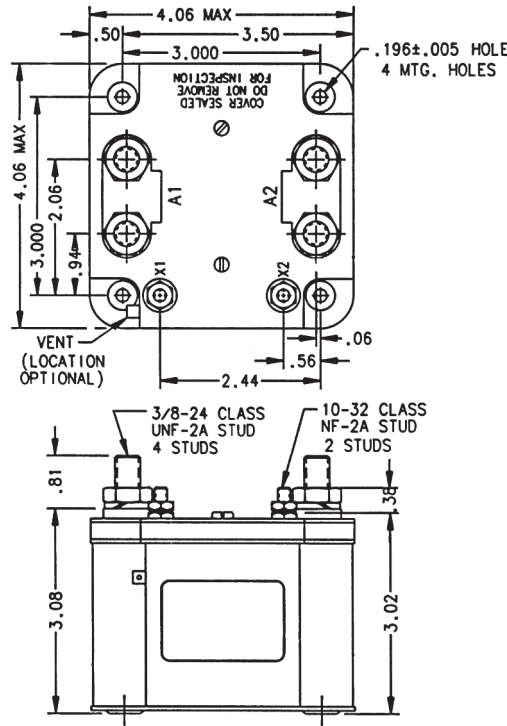
- Contact Arrangement** — SPST NO, Double Break
- Rated Operating Voltage** — 28 Vdc
- Resistive Rating** — 600 Amps

**General Characteristics**

- Temperature Range** — -55°C to +71°C
- Operating Cycles (Life) at Rated Resistive Load** — 50,000 cycles
- Operating Cycles (Life) Mechanical** — 100,000 cycles
- Dielectric Strength** — All Circuits to Ground — 1,250 Vrms  
Circuit to Circuit — 1,250 Vrms  
Coil to Ground and Aux. Contacts — 1,000 Vrms
- Weight, Max.** — 3.00 lbs - 3 lbs 7 oz.

**Coil Characteristics**

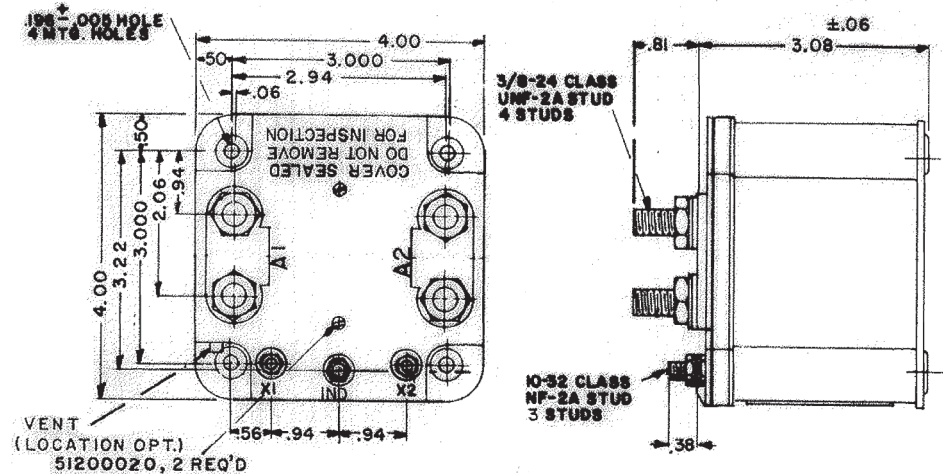
- Duty Cycle** — Continuous or Intermittent
- Operating Voltage, Max.** — 29 Vdc
- Coil Voltage, Nom.** — 24-28 Vdc
- Pickup Voltage, Max.** — 18 Vdc
- Dropout Voltage** — 1 to 5 Vdc
- Coil Current, Hold, Max.** — 0.6 Amp



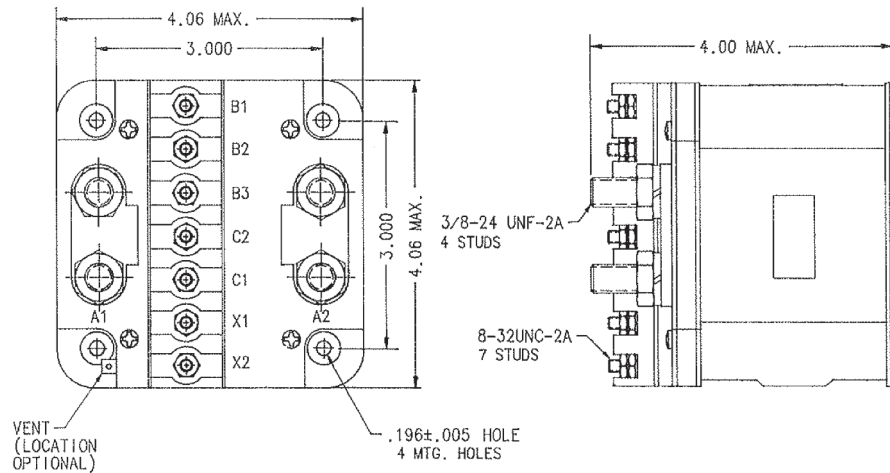
Mounting Style A

For factory-direct application assistance, phone 419-521-9500 or fax 419-526-2749.

**A-712 Series, Rated up to 600 Amps, 28 Vdc (Continued)**

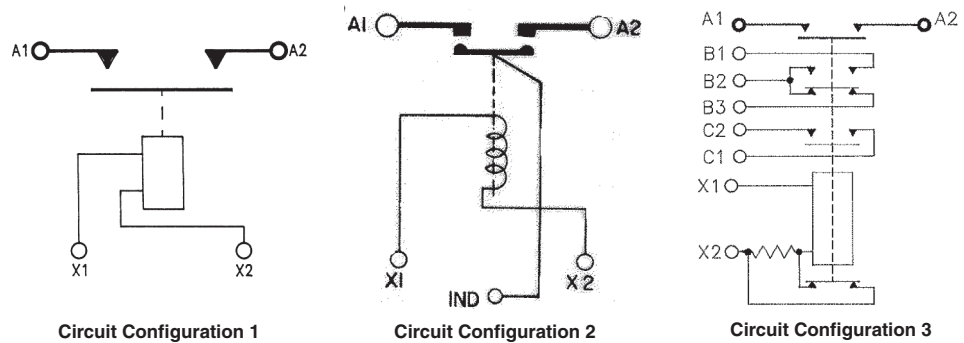


Mounting Style B



Mounting Style C

**Circuit Configurations (Consult factory for other available circuit configurations)**



HARTMAN Part Number	Construction Type	Mounting Style	Coil Type	Circuit Config.	TE Part Number
A-712AB	Gasket/Vented	A	Continuous	1	2-1616058-3
A-712AF	Gasket/Vented	A	Intermittent	1	2-1616058-4
A-712J	Gasket/Vented	B	Continuous	2	2-1616058-6
A-712W	Gasket/Vented	C	Continuous, Economizing	3	6-1616032-3

For factory-direct application assistance, phone 419-521-9500 or fax 419-526-2749.