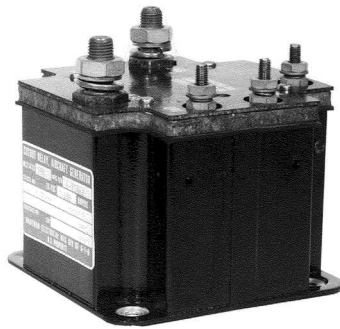


A-700 Series Cutout — Reverse Current, Rated up to 200 Amps, 28 Vdc

Product Facts

- SPST NO
- Gasket sealed
- Meets many requirements of MIL-PRF-6106



Performance Data

Electrical Characteristics

- Contact Arrangement — SPST NO
- Rated Operating Voltage — 28 Vdc
- Current Rating, Continuous — 200 Amps
- Current Rating at 15 sec. — 1,000 Amps
- Current Rating at 1 min. — 500 Amps
- Current Rating at 5 min. — 300 Amps
- Interrupting Capacity — 4,500 Amps
- Reverse Current Setting* — 6 to 17 Amps
- Differential Voltage for Pickup — .85 ± .15 V

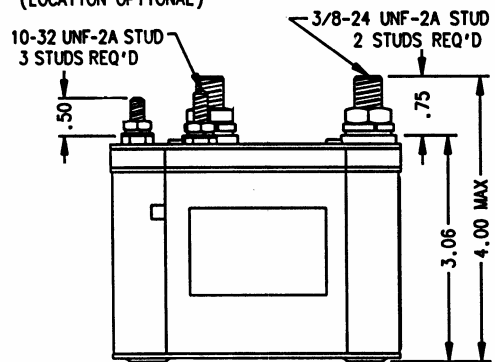
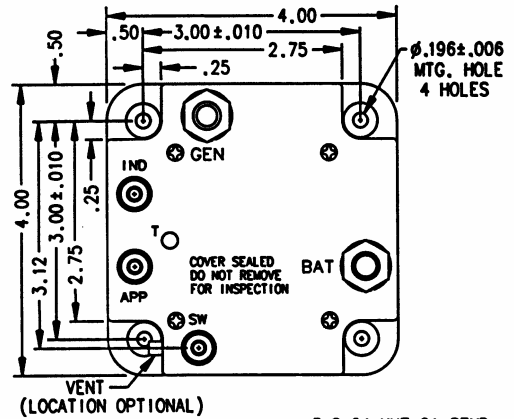
General Characteristics

- Temperature Range — -55°C to +71°C
- Operating Cycles (Life) at Rated Resistive Load, Min. — 50,000 cycles
- Operating Cycles (Life) Mechanical, Min. — 100,000 cycles
- Electrical — 50,000 min.
- Weight, Max. — 2 lbs 15 oz

Coil Characteristics

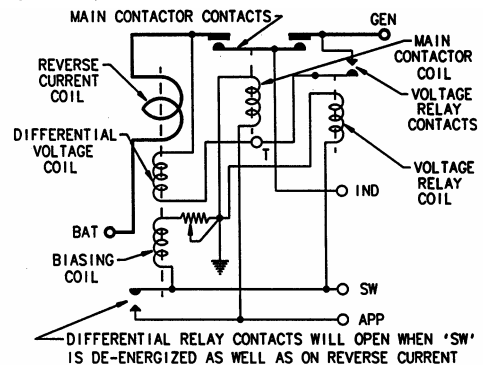
Duty Cycle — Continuous

*Over a Voltage Range of 27.5 ± 2.5 Vdc and Calibrated at 12 ± 1 Amp RC at 28 Vdc & 25°C ± 5°C



Mounting Style A

Circuit Configurations (Consult factory for other available circuit configurations)



Circuit Configuration 1

For factory-direct application assistance, phone 419-521-9500 or fax 419-526-2749.