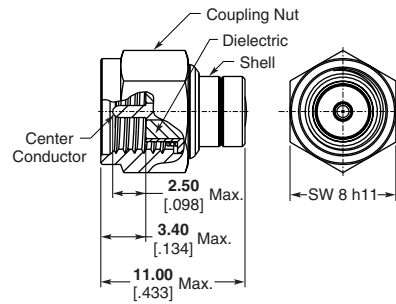


**Coaxial Terminations**

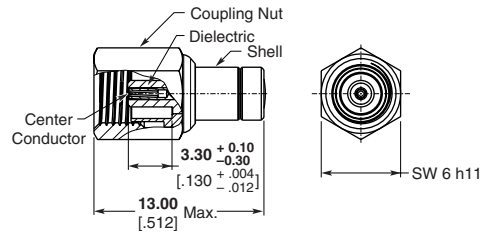
**SMA Plug Terminator**  
**Part Number 1460802**

**Plating** — Gold  
**Frequency** — 6 GHz



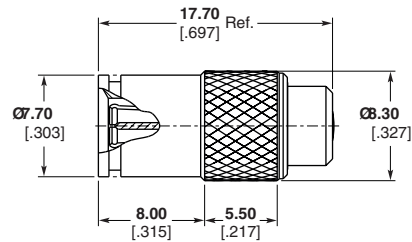
**SMC Plug Terminator**  
**Part Number 1460803**

**Plating** — Gold  
**Frequency** — 6 GHz



**Push Pull Plug Terminator**  
**Part Number 619219**

**Plating** — Gold  
**Frequency** — 6 GHz



**QMA Plug Terminator**  
**Part Number 619271-1**

Single Packaging  
**Plating** — Standard Gold

**Part Number 5-619271-1**  
1000 Pieces per Pack

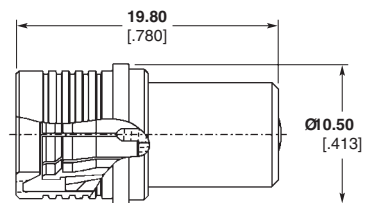
**Plating** — Standard Gold

**Part Number 619271-2**

Single Packaging  
**Plating** — Higher Gold

**Part Number 5-619271-2**

1000 Pieces per Pack  
**Plating** — Higher Gold



**Note:** Part Numbers are RoHS compliant except: ♦ Indicates non-RoHS compliant.