

TE CONNECTIVITY HEADER PORTFOLIO

for the Automotive Industry

INNOVATIVE TECHNOLOGIES

TE Connectivity (TE) is a leader in automotive connectivity and sensor technology. Our engineers are always working to meet complex requirements. We connect nearly every electronic function in the vehicle - from alternative power systems to infotainment and sensor technologies. Our technologies withstand harsh environments and tolerate high temperature, vibration, shock, pressure and long-life in electronic control systems.



INTERCONNECTION SYSTEMS

Our electrical and electronic interconnection products and solutions are used to electrically and mechanically connect wires and cables, printed circuit boards, integrated circuit packages, batteries and more.



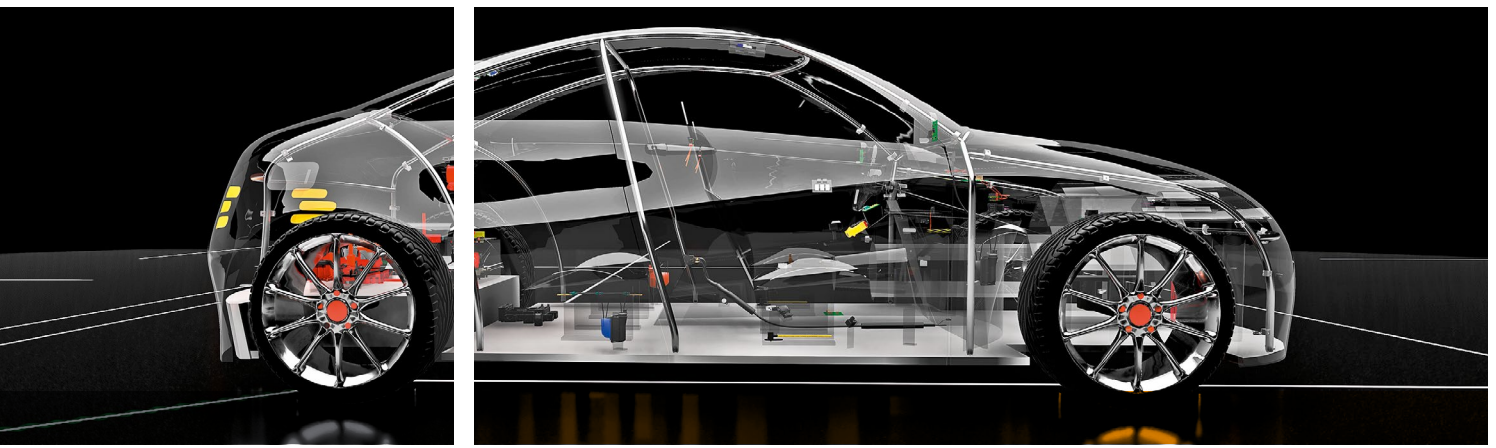
CABLE ASSEMBLIES

TE is your partner for vehicle-specific cable assemblies. We offer research and development capabilities, prototypes and samples, as well as manufacturing facilities.



HYBRID & ELECTRIC MOBILITY SOLUTIONS

Our technologies leverage decades of innovation and experience with high-voltage transmission and distribution. Our hybrid and electric mobility solutions include a complete line of connectors, terminals, sensors, cable assemblies, contactors, and battery connection protection to help safeguard the flow of power in hybrid and electric vehicles. Connection after connection, you can count on TE for smaller, greener, lighter and smarter solutions you can trust.



SENSOR SOLUTIONS

Data is critical for making vehicles safer, greener, smarter and more connected. Customers rely on our sensor technology to provide data for control, adaptation and response of vehicle functions and features that increase safety, comfort, efficiency, and more. We collaborate to provide solutions for demanding and harsh applications such as automated transmissions, engines, chassis, clutch, brake and exhaust. Our products can be found in vehicles traveling the world's roads and highways.





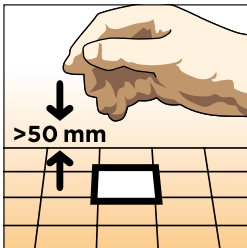

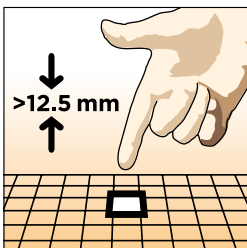
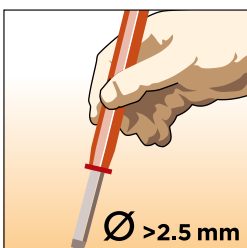
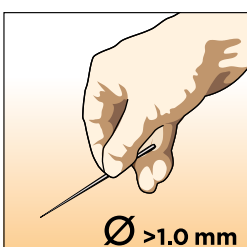
INFOTAINMENT


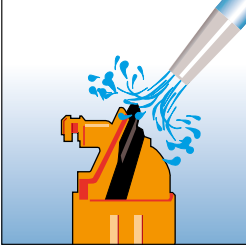


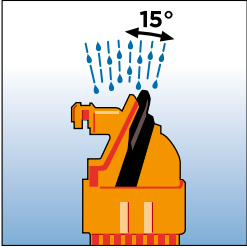

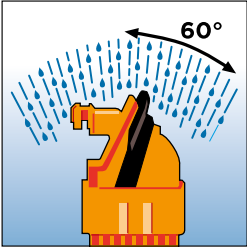
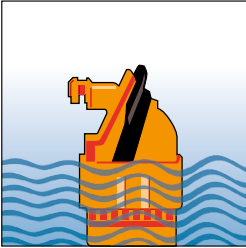

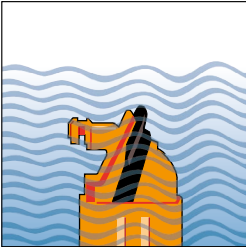


Our wide range of infotainment solutions are ideal for consumer port connections, high data rate applications, next-generation harness architecture, board-to-board connections and vehicle-to-vehicle communication.



RELAYS

From passenger comfort and infotainment to higher DC voltages and power levels to harsh environments, our relays and contactors provide critical switching functions in multiple vehicle applications. With increased contact gaps and other key design features, our relays are ideal for harsh environments such as shock and vibration.

1st Digit Against Foreign Objects (incl. Dust)	1st Digit Against Foreign Objects (incl. Dust)
<p>0</p>  <p>Not protected.</p>	<p>5K</p>  <p>Dust protected.</p>
<p>1</p>  <p>Protected against solid objects greater than 50 mm (ex. back of hand).</p>	<p>6K</p>  <p>Dust tight.</p>
<p>2</p>  <p>Protected against solid objects greater than 12.5 mm (ex. finger).</p>	
<p>3</p>  <p>Protected against solid objects greater than 2.5 mm (ex. tool).</p>	
<p>4</p>  <p>Protected against solid objects greater than 1.0 mm (ex. wire).</p>	

2nd Digit	Against Water	2nd Digit	Against Water
0	 <p>Not protected.</p>	5	 <p>Protected against jetting water.</p>
1	 <p>Protected against vertically dripping water.</p>	6	 <p>Protected against powerfully jetting water.</p>
2	 <p>Protected against dripping water when tilted up to 15°.</p>	6K	 <p>Protected against powerfully jetting water with increased pressure (Automotive).</p>
3	 <p>Protected against spraying water (up to 60° inclination).</p>	7	 <p>Protected against the temporary effects of immersion up to 1 meter.</p>
4	 <p>Protected against splashing water.</p>	8	 <p>Protected against continuous submersion agreed with customer, but more severe than code 7.</p>
4K	 <p>Protected against splashing water with increased pressure.</p>	9K	 <p>Protected against high-pressure/steam-jet cleaning (Automotive).</p>

At TE Connectivity, we support your RoHS requirements. We've assessed more than 1.5 million end items/components for RoHS compliance, and issued new part numbers where any change was required to eliminate the restricted materials. Part numbers in this catalog are identified as:

RoHS Compliant

Part numbers in this catalog are RoHS Compliant, unless marked otherwise. These products comply with European Union Directive 2002/95/EC as amended 1 January 2006 that restricts the use of lead, mercury, cadmium, hexavalent chromium, PBB, and PBDE in certain electrical and electronic products sold into the EU as of 1 July 2006.

Note: For purposes of this Catalog, included within the definition of RoHS Compliant are products that are clearly "Out of Scope" of the RoHS Directive such as hand tools and other non-electrical accessories.

Non-RoHS Compliant

These part numbers are identified with a "t" symbol. These products do not comply with the material restrictions of the European Union Directive 2002/95/EC.

5 of 6 Compliant

A "l" symbol identifies these part numbers. These products do not fully comply with the European Union Directive 2002/95/EC because they contain lead in solderable interfaces (they do not contain any of the other five restricted substances above allowable limits). However, these products may be suitable for use in RoHS applications where there is an application-based exception for lead in solders, such as the server, storage, or networking infrastructure exemption.

Note: Information regarding RoHS compliance is provided based on reasonable inquiry of our suppliers and represents our current actual knowledge based on the information provided by our suppliers. This information is subject to change. For latest compliance status, refer to our website referenced below. So whatever your questions when it comes to RoHS, we've got the answers at <http://www.TE.com/customersupport/rohssupportcenter/>

Getting the information you need

Our comprehensive on-line RoHS Customer Support Center provides a forum to answer your questions and support your RoHS needs. A RoHS FAQ (Frequently Asked Questions) is available with links to more detailed information. You can also submit RoHS questions and receive a response within 24 hours during a normal work week. The Support Center also provides:

- Cross-Reference from Non-compliant to Compliant Products
- Ability to browse RoHS Compliant Products in our on-line catalog:
www.TE.com/commerce/alt/RohsAltHome.do
- Downloadable Technical Data Customer Information Presentation
- More detailed information regarding the definitions used above

AWG Code	Diameter (Inch)	Diameter (mm)	F (mm ²)
000000	0.5800	14.733	170.0
00000	0.5165	13.13	135.0
0000	0.4600	11.684	103.8
000	0.4096	10.40	79.0
00	0.3648	9.27	67.5
0	0.3249	8.25	53.4
1	0.2893	7.34	42.2
2	0.2576	6.55	33.7
3	0.2294	5.82	26.6
4	0.2043	5.18	21.0
5	0.1819	4.62	16.9
6	0.1620	4.115	13.25
7	0.1443	3.66	10.25
8	0.1285	3.26	8.34
9	0.1144	2.90	6.6
10	0.1019	2.59	5.27
11	0.0907	2.30	4.15
12	0.0808	2.05	3.3
13	0.0720	1.83	2.63
14	0.0641	1.63	2.08
15	0.0571	1.45	1.65
16	0.0508	1.29	1.305
17	0.0453	1.14	1.01
18	0.0403	1.02	0.79
19	0.0359	0.91	0.65
20	0.0320	0.81	0.51
21	0.0285	0.72	0.407
22	0.0253	0.64	0.32
23	0.0226	0.57	0.255
24	0.0201	0.51	0.205
25	0.0179	0.455	0.162
26	0.0159	0.40	0.125
27	0.0142	0.36	0.102
28	0.0126	0.320	0.08
29	0.0113	0.287	0.0646
30	0.0100	0.254	0.0516
31	0.0089	0.226	0.04
32	0.0080	0.203	0.0324
33	0.0071	0.180	0.0255
34	0.0063	0.160	0.02
35	0.0056	0.142	0.0158
36	0.0050	0.127	0.0127
37	0.0045	0.114	0.01
38	0.0040	0.101	0.008
39	0.0035	0.089	0.0062
40	0.0031	0.079	0.0049
41	0.0028	0.071	0.00395
42	0.0025	0.064	0.00321
43	0.0022	0.056	0.00246
44	0.00198	0.050	0.00196
45	0.00176	0.045	
46	0.00157	0.040	
47	0.00140	0.036	
48	0.00124	0.031	
49	0.00110	0.028	
50	0.00099	0.025	

Remark: Starting from 0.03 mm² (AWG 32) a wire can be crimped.

TE Connectivity Header Portfolio

Header Family	Circuits	Sealed	Orientation	Tab Width	Hyrid	Termination Method	Page
Miniaturized	6-32	No	90° 180°	0.50 mm	No	Solder SMT	2
Signal	3-40	Yes	90° 180°	0.63 mm	Yes	Solder	3-5
Low & Medium Power	4-42	Yes	90° 180°	1.2, 1.5, 1.7, 1.8, 2.8, 3.0 mm	Yes	Solder	6+7
Press-Fit & SMT	3-26	Both	90° 180°	0.5, 0.63, 2.8 mm	Yes	Press-Fit SMT	8
High Pin Count	33-200, 48-200	Yes	90° 180°	0.63, 1.5, 1.8, 2.8, 3.0 mm	Yes	Solder Press-Fit	9
High Voltage	2-5	Yes	90° 180°	8, 11, ... many more	Yes	Cable Busbar	10
Data Connectivity	1-6	No	90° 180°	0.51, 0.68 mm	No	Solder Laser Welding	11+12
Numerical Index							14-16
TE Connectivity online							18
Global Contacts							19
Imprint							19



TE CONNECTIVITY HEADER PORTFOLIO

POWERTRAIN SYSTEMS



SAFETY & SECURITY SYSTEMS



CONVENIENCE



DRIVER INFORMATION



BODY & CHASSIS SYSTEMS



A HEADER FOR EVERY NEED ...

TE Connectivity (TE) now offers a comprehensive portfolio of automotive headers for connecting electronic control units (ECU) in the vehicle. These header solutions cover a large range of automotive applications requiring signal and low-power transmission.

Upcoming trends addressed within the portfolio include miniaturization and process technologies such as press-fitting and SMD soldering.



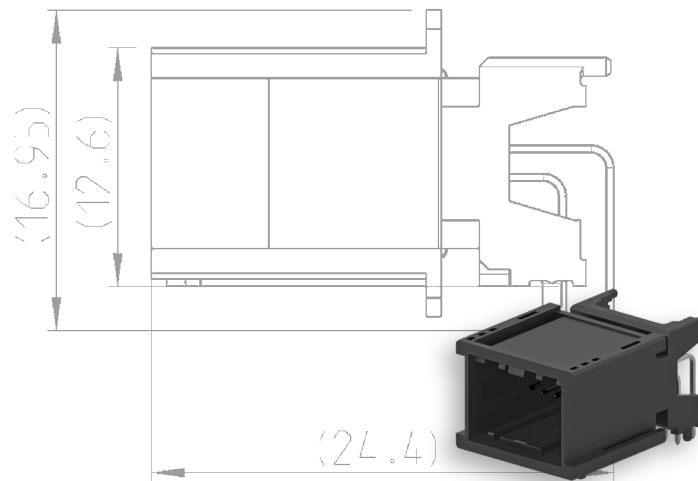
HEADER PORTFOLIO ONLINE

Visit us on
www.TE.com/automotive-headers

MINIATURIZED

A vehicle's weight can be reduced by using lighter or less material, improving fuel efficiency and reducing CO₂ emissions. TE Connectivity's NanoMQS and MCON 0.50 terminal and connector systems only require about half of the packaging space versus 0.63mm² systems.

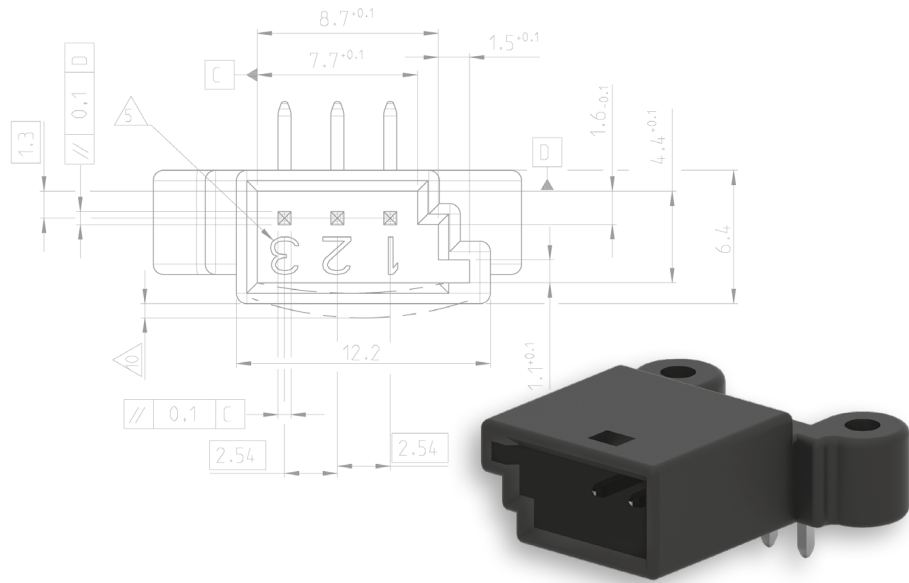
The headers are designed to withstand harsh environments such as high vibrations due to their low mass and contact force.



Number of Circuits	Number of Rows	Terminal 1 / Number of Circuits	Terminal 2 / Number of Circuits	Mounting Orientation	Sealed	Termination Method	Plating	Dimensions [mm]			Part Number	Mating Receptacle
								Width	Height	Length		
8	2	.5 x .4	8	180°	No	Through Hole	Sn	25.30	22.95	16.45	2177768-3	2177586-1
8	2	.5 x .4	8	90°	No	Through Hole	Sn	24.47	12.60	16.45	2177372-3	2177586-1
12	2	.5 x .4	12	90°	No	Through Hole	Sn	24.47	12.60	20.05	2177370-3	2177587-1
12	2	.5 x .4	12	180°	No		Sn	25.30	22.95	20.05	2177767-3*	2177587-1
20	2	.5 x .4	20	90°	No	Through Hole	Sn	26.00	22.00	24.35	2208165-1	2141404-1
20	2	.5 x .4	20	90°	No	Through Hole	Sn	24.47	12.60	27.25	2177367-3	2177588-1
20	2	.5 x .4	20	180°	No		Sn	25.30	22.95	27.25	2177766-3*	2177588-1
24	2	.5 x .4	24	90°	No	Surface Mount	Sn	31.90	33.10	37.00	2013029-4	2013031-2
26	2	.5 x .4	26	180°	No	Surface Mount	Ag / Sn	13.71	35.80	38.17	2236469-3	2236526-3
32	2	.5 x .4	32	90°	No	Through Hole	Sn	24.47	12.60	38.05	2177419-3	2141576-1
32	2	.5 x .4	32	180°	No	Through Hole	Sn	25.30	22.95	38.05	2177748-3	2141576-1

*) on demand

TE offers an extensive header portfolio in all possible configurations to ensure signal transmission in every automotive application, including the most critical connections with 0.63 mm² terminals. MQS headers are available in all required pin counts and mounting types, as well as various surfaces.



Number of Circuits	Number of Rows	Terminal 1 / Number of Circuits	Terminal 2 / Number of Circuits	Mounting Orientation	Sealed	Termination Method	Plating	Dimensions [mm]			Part Number	Mating Receptacle		
								Width	Height	Length				
3	2	.63 x .63	3	180°	No	Through Hole	Sn	6.60	14.60	18.97	185730-1	185309-1		
3	1	.63 x .63	3	90°	No	Through Hole	Sn	17.80	6.40	17.70	967279-4	968705-9		
3	1	.63 x .63	3	90°	No	Through Hole	Sn	12.20	6.40	15.20	1-967162-3	1241324		
3	1	.63 x .63	3	90°	No	Through Hole	Sn	14.00	5.90	10.20	5-1355730-1	968705-9 9-1718346-1		
3	1	.63 x .63	3	90°	No	Through Hole	Sn	6.70	13.40	11.71	1394397-1	1-1718346-1		
4	1	.63 x .63	4	180°	No	Through Hole - Reflow	Sn	9.25	20.20	25.00	1379700-1	1379658-1		
4	1	.63 x .63	4	180°	No	Through Hole - Reflow	Sn	8.60	18.70	20.40	1379165-7	1379029-1 *		
4	2	.63 x .63	4	180°	Yes	Through Hole	Sn	9.30	35.30	20.50	967439-1	x-967640-x		
4	2	.63 x .63	4	180°	Yes	Through Hole	Sn	23.30	16.55	26.80	1-967657-1	x-967640-x		
6	2	.63 x .63	6	180°	No	Through Hole	Sn	16.50	20.10	22.80	953363-3	185311-1		
6	2	.63 x .63	6	180°	No	Through Hole	Sn	8.80	8.80	18.60	1534517-1	1-968291-2 *		
6	2	.63 x .63	6	180°	No	Through Hole	Sn	19.50	22.60	31.60	1823172-1 *			
6	1	.63 x .63	6	180°	No	Through Hole	Sn	7.35	19.60	21.60	936640-2 *	1-1241370-1 *		
6	2	.63 x .63	6	90°	No	Through Hole	Sn	25.90	16.50	16.80	953442-1	965413-1 *		
6	2	.63 x .63	6	90°	No	Through Hole	Sn	25.90	18.05	26.80	1241637-1 *			
8	2	.63 x .63	8	180°	No	Through Hole - Reflow	Sn	12.70	20.20	28.80	1-1801659-1			
8	2	.63 x .63	8	180°	No	Through Hole	Sn	2.50	14.60	17.00	1670887-1			
8	2	.63 x .63	8	180°	No	Through Hole	Sn	11.60	20.00	14.60	1-1355211-2	1-1564013-1 965601-2		
8	2	.63 x .63	4	2.8 x .63	4	180°	No	Through Hole	Sn	15.24	25.80	21.59	1241782-1	
8	2	.63 x .63	8			90°	No	Through Hole	Sn	24.47	15.20	18.60	1-1379684-1	1379659-1
8	2	.63 x .63	8			90°	No	Through Hole	Sn	25.90	16.55	28.20	1-967658-1	1-1534229-1
8	2	.63 x .63	8			90°	No	Through Hole	Sn	14.20	15.50	24.47	1-1376350-4	1473800-1
8	1	.63 x .63	8			90°	No	Through Hole	Sn	6.70	25.40	19.00	1-967619-5 *	968357-1
8	1	.63 x .63	8			90°	No	Through Hole	Sn	27.90	25.40	16.50	1743284-1	

*) on demand

(continued on page 4)

Number of Circuits	Number of Rows	Terminal 1 / Number of Circuits	Terminal 2 / Number of Circuits	Mounting Orientation	Sealed	Termination Method	Plating	Dimensions [mm]			Part Number	Mating Receptacle
								Width	Height	Length		
8	1	.63 x .63	8	90°	No	Through Hole	Sn	5.80	26.10	25.40	1703948-1*	
8	1	.63 x .63	8	90°	No	Through Hole	Sn	33.00	10.00	21.27	1747285-2	1376368-1 1746875-1
10	2	.63 x .63	10	180°	No	Through Hole	Sn	16.00	15.20	20.00	967741-1	1-1418401-1*
10	2	.63 x .63	10	90°	No	Through Hole	Sn	8.75	10.16	15.05	1-967573-1	1-1418401-1*
12	2	.63 x .63	12	180°	No	Through Hole	Sn	15.90	20.20	36.70	1-1719039-7	
12	2	.63 x .63	12	180°	No	Through Hole	Sn	15.60	20.20	29.40	967646-1	968473-1
12	2	.63 x .63	12	180°	No	Through Hole	Sn	17.00	20.30	40.30	1379114-1	185341-1
12	2	.63 x .63	12	180°	No	Through Hole	Sn	18.60	23.40	15.30	1473898-1	1318774-1 1376675-1
12	2	.63 x .63	12	180°	No	Through Hole	Sn	17.00	20.30	40.30	1379114-3	185341-1 185343-1
12	2	.63 x .63	12	180°	No	Through Hole	Sn	17.00	20.30	29.00	1379640-3	1379219-1
12	2	.63 x .63	12	180°	No	Through Hole	Sn	17.00	20.30	40.40	953130-3	968473-1
12	2	.63 x .63	12	90°	No	Through Hole	Sn	27.90	16.00	29.80	185740-2	185300-1
12	2	.63 x .63	12	90°	No	Through Hole	Sn	21.70	19.60	30.00	1-967250-1	1534100-1
12	2	.63 x .63	12	90°	No	Through Hole	Sn	27.90	16.00	29.70	1379030-3	
12	2	.63 x .63	12	90°	No	Through Hole - Reflow	Sn	27.90	16.00	29.60	1801434-1	
12	2	.63 x .63	12	90°	No	Through Hole	Sn	27.90	16.00	29.70	1379030-1	
12	2	.63 x .63	12	90°	No	Through Hole	Sn	18.60	15.50	24.47	1-1318772-3	x-1318774-x x-1376675-x
12	2	.63 x .63	12	90°	No	Through Hole	Sn	17.00	19.80	28.80	185526-2	968473-1
12	2	.63 x .63	12	90°	No	Through Hole	Sn	27.90	17.15	30.46	1-967582-1*	x-965666-x
12	2	.63 x .63	12	90°	No	Through Hole	Sn	22.86	27.90	30.63	3-963541-6*	x-929682-x*
16	2	.63 x .63	16	180°	No	Through Hole	Sn	13.40	23.00	23.40	1565476-1	1318386-1 2005076-1
16	2	.63 x .63	16	90°	No	Through Hole	Sn	23.00	15.50	24.47	1-1318382-3	1318386 1717109
18	2	.63 x .63	18	180°	No	Through Hole - Reflow	Sn	16.00	21.20	41.00	953264-1	1379102-1
18	2	.63 x .63	18	180°	No	Through Hole	Sn	20.30	23.30	39.60	1-1564687-1	
18	3	.63 x .63	18	180°	No	Through Hole	Sn	23.30	20.48	39.60	967618-2	x-968427-x*
18	2	.63 x .63	18	180°	No	Through Hole	Sn	17.00	20.30	41.30	1-963540-1	1355348-1
18	2	.63 x .63	18	180°	No	Through Hole	Sn	23.08	23.08	39.23	3-967618-1	x-968427-x*
18	2	.63 x .63	18	180°	No	Through Hole	Sn	23.80	20.30	41.30	1-1355154-1	1355348-1
18	2	.63 x .63	18	180°	No	Through Hole	Sn	17.00	19.80	34.80	185529-1	6-185307-1
18	3	.63 x .63	18	180°	No	Through Hole	Sn	19.00	21.30	42.00	953466-1	284134-1
18	2	.63 x .63	18	90°	No	Through Hole	Sn	27.90	17.00	38.08	1-963539-1	1355348-1
18	2	.63 x .63	18	90°	No	Through Hole	Sn	27.40	17.00	37.00	185683-1	x-185304-x*
18	2	.63 x .63	18	90°	No	Through Hole	Sn	27.40	17.00	37.00	1-1801065-2*	
19	2	.63 x .63	19	90°	No	Through Hole	Sn	-	34.92	69.85	1393474-6	
20	2	.63 x .63	20	180°	No	Through Hole	Sn	11.15	18.39	28.94	1924121-2*	
20	2	.63 x .63	20	90°	No	Through Hole	Sn	16.20	24.80	26.00	8-2177729-9*	
24	2	.63 x .63	24	180°	No	Through Hole	Sn	31.80	15.30	31.80	1376111-2	
24	2	.63 x .63	24	90°	No	Through Hole	Sn	31.80	15.50	24.47	1318853-2	x-1318917-x
26	2	.63 x .63	26	180°	No	Through Hole - Reflow	Sn	16.00	21.20	51.00	1-953472-1	185879-1

*) on demand

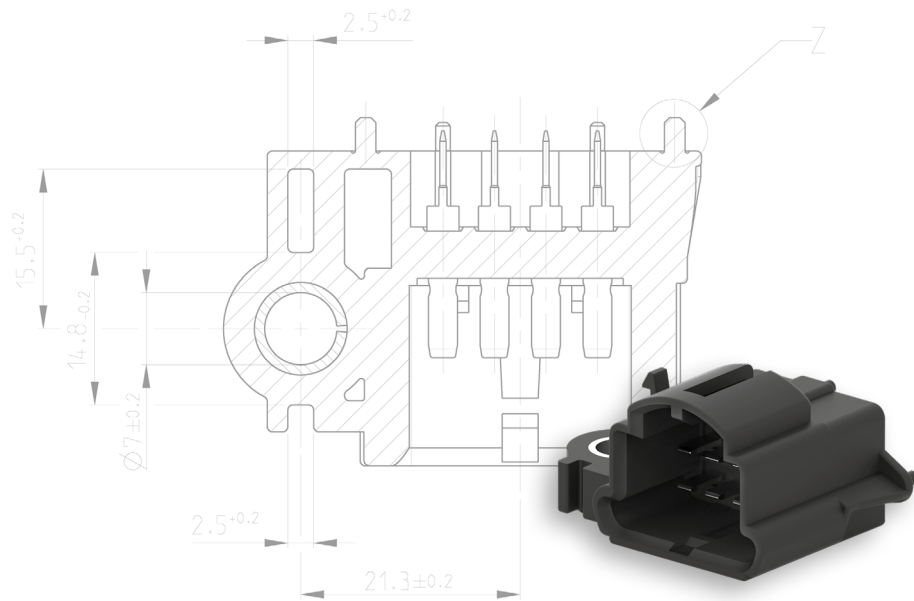
(continued on page 5)

Number of Circuits	Number of Rows	Terminal 1 / Number of Circuits	Terminal 2 / Number of Circuits	Mounting Orientation	Sealed	Termination Method	Plating	Dimensions [mm]			Part Number	Mating Receptacle		
								Width	Height	Length				
26	2	.63 x .63	26	180°	No	Through Hole	Sn	16.00	20.90	53.80	953236-1	185879-1		
26	2	.63 x .63	26	180°	No	Through Hole	Au / Sn	13.20	20.90	40.00	2-185226-2*	x-144935-x*		
26	2	.63 x .63	26	90°	No	Through Hole	Sn	27.90	17.00	48.20	185534-3	144935-1		
26	2	.63 x .63	26	90°	No	Through Hole	Sn	16.04	17.30	40.64	5-1393375-7			
26	2	.63 x .63	20	2.3 x .63	6	90°	No	Through Hole	Sn	42.50	17.60	28.97	1376357-3	x-1376360-x x-1674932-x
28	2	.63 x .63	28	90°	No	Through Hole	Sn	36.20	15.50	24.50	2134962-1			
30	2	.63 x .63	30	180°	No	Through Hole	Sn	23.50	20.30	48.50	967267-1*			
30	2	.63 x .63	22	5.8 x .8	8	180°	No	Through Hole	Ag / Sn	50.96	38.15	10.33	2141930-2*	
30	2	.63 x .63	30	90°	No	Through Hole	Au / Sn	21.70	69.85	79.10	1394389-1			
32	2	.63 x .63	32	180°	No	Through Hole	Sn	15.60	20.20	51.15	967598-1	968265-1		
32	2	.63 x .63	32	180°	No	Through Hole	Sn	10.00	20.20	30.10	1-1452368-4	967597-2*		
32	3	.63 x .63	32	180°	No	Through Hole	Sn	10.00	16.80	43.80	8-966658-3	1420000-1		
32	2	.63 x .63	32	180°	No	Through Hole	Sn	24.80	20.90	55.20	1-967742-1*	x-968265-x*		
32	2	.63 x .63	32	90°	No	Through Hole	Sn	27.40	16.00	54.80	953486-2	x-968265-x*		
32	2	.63 x .63	32	90°	No	Through Hole	Au / Sn	28.40	51.70	55.80	969599-1			
32	2	.63 x .63	32	90°	No	Through Hole	Sn	28.40	17.00	55.86	1-968720-2	x-968778-x*		
32	2	.63 x .63	32	90°	No	Through Hole	Sn	40.60	15.50	18.40	1318745-2	x-1318747-x x-1717118-x		
38	2	.63 x .63	16	1.5 x .6	14	90°	No	Through Hole	Sn	97.80	89.80	32.30	1534531-1	1534180-1
40	4	.63 x .63	40	180°	No	Through Hole	Sn	25.90	21.50	32.50	953118-1	1-968321-1*		
40	2	.63 x .63	40	180°	No	Through Hole	Sn	15.30	23.40	49.40	1376113-2	1318389-1 1674312-1		
40	2	.63 x .63	40	90°	No	Through Hole	Sn	17.30	15.20	51.50	1801657-1*			
40	2	.63 x .63	40	90°	No	Through Hole	Sn	49.40	15.50	24.47	1318384-4	x-1318695-x x-1379671-x		
40	4	.63 x .63	40	90°	No	Through Hole	Sn	40.30	27.50	30.50	1-1394155-4	1-968322-1 2-968322-1		
40	4	.63 x .63	40	90°	No	Through Hole	Sn	40.30	26.70	32.00	1745060-1	953122-6		

*) on demand

Low-power connections are required for a wide range of automotive control applications, including seats and doors, steering wheels and electric mirrors.

TE offers a broad low-power product portfolio with timer, MCON and AMP MCP families in all required configurations.



Number of Circuits	Number of Rows	Terminal 1 / Number of Circuits	Terminal 2 / Number of Circuits	Mounting Orientation	Sealed	Termination Method	Plating	Dimensions [mm]			Part Number	Mating Receptacle		
								Width	Height	Length				
3	1	1.8 x .8	3	90°	Yes	Through Hole	Au / SnPb	12.00	15.30	19.90	1-345361-1			
4	1	2.8 x .8	4	180°	No	Through Hole	SnPb	21.70	17.50	22.80	1544575-1			
4	2	3.0 x .8	4	90°	No	Through Hole	Sn	25.90	19.00	26.10	828801-1	929504-1		
4	2	3.0 x .8	4	180°	No	Through Hole	Ag	20.00	18.30	26.10	963357-6	929504-1		
6	2	3.0 x .8	6	180°	Yes	Through Hole	Sn	20.80	19.30	34.60	1-929180-1			
6	2	3.0 x .8	6	90°	Yes	Through Hole	Sn	25.80	34.60	37.75	1-963211-1	1-967241-1		
6	2	3.0 x .8	6	90°	No	Through Hole	Sn	25.90	19.00	31.10	828801-2	929504-2		
6	2	3.0 x .8	6	180°	No	Through Hole	Ag	20.00	18.30	31.10	963357-5	929504-2		
6	3	3.0 x .8	6	90°	No	Through Hole	Sn	20.30	26.20	26.00	9-966140-5*	1-965640-1		
8	2	2.8 x .8	8	180°	No	Through Hole	Sn	33.80	30.55	46.40	1-1670958-1			
8	2	1.2 x .6	4	2.8 x .8	4	180°	Yes	Through Hole	Ag	10.90	25.00	17.99	2141474-1	
8	2	2.8 x .8	8	180°	No	Through Hole	Sn	19.50	30.00	62.00	2236023-1*			
8	2	3.0 x .8	8	90°	No	Through Hole	Sn	25.90	19.00	36.10	828801-3	929504-3		
9	3	2.8 x .8	9	90°	No	Through Hole	Ag	20.30	26.20	31.00	3-966140-4	1-965640-1		
10	2	3.0 x .8	10	180°	No	Through Hole	Sn	14.00	17.00	31.30	1534514-1			
10	2	3.0 x .8	10	90°	Yes	Through Hole	Sn	15.80	29.30	33.00	1-967601-1	1-967240-1		
10	2	3.0 x .8	10	90°	No	Through Hole	Sn	25.90	19.00	41.10	828801-4	929504-4		
10	2	3.0 x .8	10	180°	No	Through Hole	Ag	17.00	21.70	20.00	963267-4*			
10	2	3.0 x .8	10	180°	No	Through Hole	Ag	20.00	18.30	41.10	963357-4	929504-4		
12	1	1.5 x .8	12	180°	No	Through Hole	SnPb	12.15	47.70	40.40	1544571-5*			
12	3	2.8 x .8	12	90°	No	Through Hole	Sn	27.50	26.20	36.00	1-966140-3	1-965640-1		
14	2	3.0 x .8	14	90°	No	Through Hole	Sn	25.90	19.00	51.10	828801-5	929504-5		
14	2	3.0 x .8	14	180°	No	Through Hole	Ag	20.00	18.30	51.10	963357-3	929504-5		
15	2	2.8 x .8	15	90°	Yes	Through Hole	Sn	34.40	45.30	66.20	1989827-1*			
15	3	2.8 x .8	15	90°	No	Through Hole	Ag	20.30	26.20	41.00	3-966140-2	1-965640-1		
15	2	3.0 x .8	15	90°	No	Through Hole	Sn	25.50	17.70	51.30	826703-1	926171-1		

*) on demand

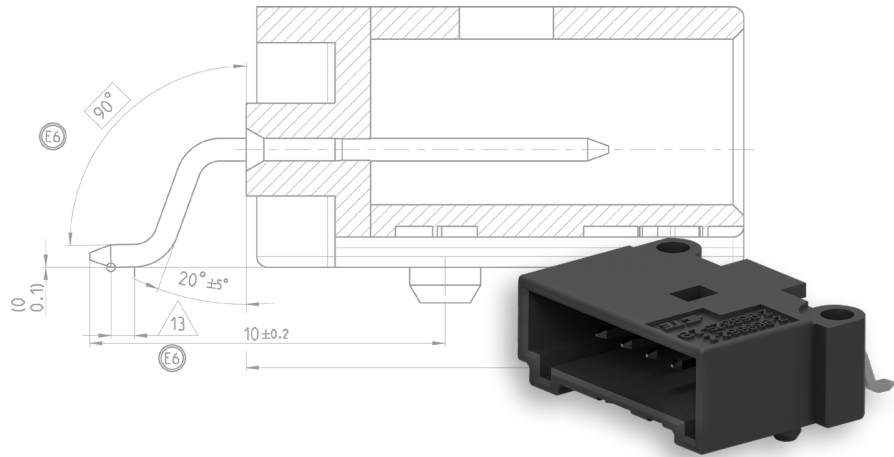
(continued on page 7)

Number of Circuits	Number of Rows	Terminal 1 / Number of Circuits		Terminal 2 / Number of Circuits		Mounting Orientation	Sealed	Termination Method	Plating	Dimensions [mm]			Part Number	Mating Receptacle
		Width	Height	Length										
16	2	3.0 x .8	16			180°	Yes	Through Hole	Sn	44.30	15.80	59.00	1-1452721-1	x-967642-x
16	2	1.5 x .8	12	2.8 x .8	4	90°	Yes	Through Hole	Sn	24.540	20.10	47.50	1564432-1	
16	2	3.0 x .8	16			90°	Yes	Through Hole	Sn	24.30	37.75	34.60	1-963215-1	1-967242-1
16	2	3.0 x .8	16			90°	No	Through Hole	Sn	34.60	26.80	65.00	2-1355842-1	
16	2	1.5 x .8	12	2.8 x .8	4	90°	Yes	Through Hole	Sn	32.50	20.00	48.90	953371-1	
16	2	3.0 x .8	16			90°	Yes	Through Hole	Sn	25.00	45.50	88.00	968814-2	
17	3	3.0 x .8	17			90°	No	Through Hole	Sn	20.30	26.20	46.00	1-967366-1 *	
18	3	1.8 x .8	18			90°	No	Through Hole	Au / Sn	19.15	27.10	27.50	344103-1	344106-1
18	3	2.8 x .8	18			90°	No	Through Hole	Ag	20.30	26.20	46.00	3-966140-1	1-965640-1
18	2	3.0 x .8	18			90°	No	Through Hole	Sn	25.90	19.00	61.10	828801-6	929504-6
18	2	3.0 x .8	18			180°	No	Through Hole	Ag	20.00	18.30	61.10	963357-2	929504-5
20	2	1.2 x .6	20			90°	Yes	Through Hole	Ag	25.00	35.00	80.00	1-1534374-1 *	
20	2	1.5 x .6	18	.63 x .63	2	90°	No	Through Hole	Sn	16.50	42.90	56.10	2208191-1	1-1355796-1
21	3	3.0 x .8	21			90°	No	Through Hole	Ag	20.30	26.20	51.00	3-966140-6	1-965640-1
22	2	3.0 x .8	2			90°	No	Through Hole	Sn	25.90	19.00	71.10	828801-7	929504-7
22	2	3.0 x .8	22			180°	No	Through Hole	Ag	20.00	18.30	71.10	963357-1	929504-7
22	3	3.0 x .8	22			90°	No	Through Hole	Sn	17.30	19.00	59.30	966029-1	
25	2	3.0 x .8	25			90°	No	Through Hole	Sn	27.90	21.00	104.00	2-827050-2 *	963317-1 963325-1
25	2	3.0 x .8	25			180°	No	Surface Mount	Sn	27.00	17.70	91.00	827535-1	827534-1
25	2	3.0 x .8	25			90°	No	Through Hole	Sn	28.00	27.00	104.00	828661-1	963317-1 963325-1
26	4	Dia 1.6	26			180°	Yes	Through Hole	Au / Sn	19.60	36.50	39.00	6437288-6	3-1437290-7
26	2	Dia 1	26			90°	Yes	Through Hole	Au	27.90	36.50	45.00	6473711-1 *	1473712-1
29	3	3.0 x .8	29			90°	Yes	Through Hole	Sn	26.50	76.00	86.00	1-963221-1	
32	2	1.5 x .6	24	2.8 x .8	6	90°	No	Through Hole	Sn	97.80	16.30	32.30	1534046-1	1534180-1
33	3	2.8 x .8	33			90°	No	Through Hole	Sn	40.00	15.00	10.00	1437287-4	
35	2	3.0 x .8	35			90°	No	Through Hole	Sn	27.00	17.70	119.00	827137-1	827667-1
36	3	1.8 x .6	36			90°	Yes	Through Hole	Au / Sn	48.50	27.15	70.80	344108-1	344111-1
36	3	3.0 x .8	36			90°	No	Through Hole	Sn	22.70	25.00	163.50	967686-7	
38	2	.63 x .63	16	1.5 x .6	14	90°	Yes	Through Hole	Sn	97.80	16.30	32.30	1534531-2	1534180-1
42	3	1.6 x .6	36	2.8 x .8	6	180°	Yes	Through Hole	Sn	26.50	64.00	86.00	1-1718093-1	1-967281-1
42	3	1.6 x .6	36	3.0 x .8	6	90°	Yes	Through Hole	Sn	26.50	76.20	127.00	1-963224-1	
42	3	1.6 x .6	36	3.0 x .8	6	90°	Yes	Through Hole	Sn	30.50	33.00	77.20	1-967280-1	1-967281-1

*) on demand

TE offers a header portfolio for the growing demand for surface-mount and press-fit applications. Lighting, sensors and other automotive applications can be easily connected by TE press-fit and SMD headers.

TE also offers an extensive portfolio of connector-seating machines to insert press-fit headers on any PCB.

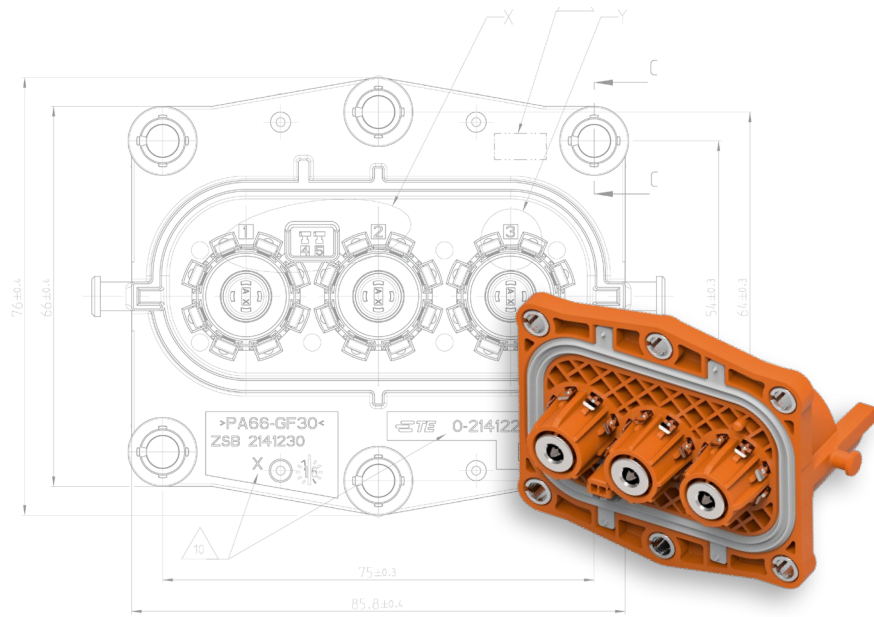


Number of Circuits	Number of Rows	Terminal 1 / Number of Circuits	Terminal 2 / Number of Circuits	Mounting Orientation	Sealed	Termination Method	Plating	Dimensions [mm]			Part Number	Mating Receptacle
								Width	Height	Length		
4	1	.63 x .63	4	90°	No	Surface Mount	Sn	8.40	6.40	17.10	967688-1	962315-1*
6	1	.63 x .63	6	90°	No	Press-Fit/ Compliant Pin	Sn	14.60	15.85	17.05	1-968682-2*	x-964466-x*
6	1	.63 x .63	6	90°	No	Surface Mount	Sn	7.30	18.80	20.00	969682-1	x-964466-x*
8	2	.63 x .63	8	90°	Yes	Press-Fit/ Compliant Pin	Au / Sn	10.50	14.80	23.40	2177322-1*	
8	1	.63 x .63	8	90°	No	Surface Mount	Sn	18.70	9.80	33.30	1670643-2	1-1394921-1*
8	2	.63 x .63	8	180°	No	Surface Mount	Sn	23.80	20.00	16.20	1939403-2	1376352-1 1717103-1
8	2	.63 x .63	8	180°	No	Surface Mount	Sn	23.80	20.00	16.20	1939403-3	1376352-1 1717103-1
10	2	1.5 x .8	10	90°	No	Surface Mount	Sn	30.00	19.60	39.15	1-1452179-2*	
11	2	.63 x .63	11	90°	No	Press-Fit/ Compliant Pin	Sn	2.540	13.30	11.11	1355740-1	
16	2	.63 x .63	16	180°	No	Surface Mount	Sn	32.60	20.00	16.20	1717396-2	1318386-1 1717109-1
18	2	.63 x .63	18	180°	No	Press-Fit/ Compliant Pin	Sn	23.80	20.22	38.40	967321-1*	x-185304-x*
18	2	.63 x .63	18	180°	No	Surface Mount	Sn	16.00	24.00	37.30	185458-1	185304-1
24	2	.50 x .40	24	90°	No	Surface Mount	Sn	7.90	37.90	31.90	2013029-4*	
24	2	.63 x .63	24	180°	No	Surface Mount	Sn	41.40	20.00	16.20	1717394-2	1318917-1 1717112-1
26	2	.63 x .63	26	90°	No	Surface Mount	Sn	16.86	41.56	40.28	1456549-1*	1924141-1
26	2	.63 x .63	26	180°	No	Surface Mount	Sn	16.00	24.00	47.50	185454-1	144935-1
26	2	.63 x .63	26	180°	No	Surface Mount	Sn	15.90	23.95	44.40	1-1924678-4	1-1924141-3

*) on demand

With more than 50 years of experience in automotive connectivity systems and high-voltage electricity TE enables the connections needed to safely, efficiently and reliably make hybrid and electric mobility a reality.

TE's broad line of high voltage (HV) connectors support all needed interfaces in hybrid and electric vehicles.

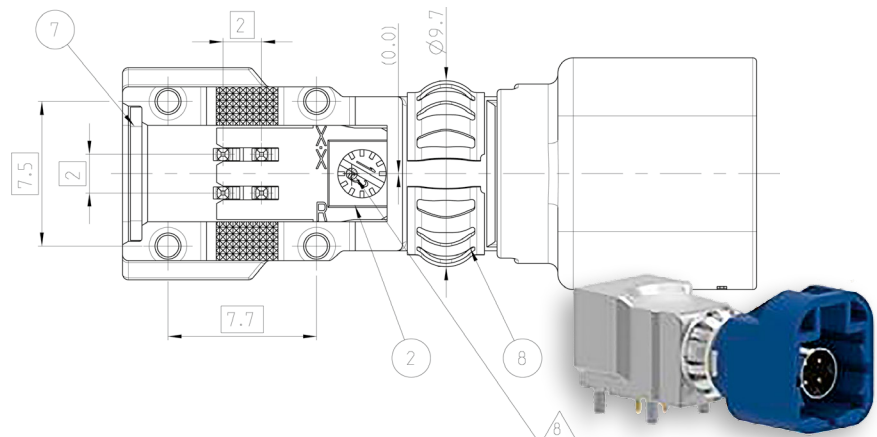


Number of Circuits	Number of Rows	Terminal 1 / Number of Circuits	Terminal 2 / Number of Circuits	Mounting Orientation	Sealed	Termination Method	Plating	Dimensions [mm]			Part Number	Mating Receptacle		
								Width	Height	Length				
1	1	8	1	HVIL / MCON 1.2	2	180°	Yes	Cable, Busbar	Ag	50.00	60.00	69.00	2137740*	x-2137704-x
2	1	8	2	HVIL / MCON 1.2	2	180°	Yes	Cable, Busbar	Ag	66.00	57.00	76.60	2141227*	x-2141154-x x-2177053-x
3	1	8	3	HVIL / MCON 1.2	2	180°	Yes	Cable, Busbar	Ag	76.00	57.00	99.60	2141230*	x-2141166-x x-2177063-x
2	1	2.8 x 0.8	2	HVIL / MQS 0,63	2	180°	Yes	Cable, Solder	Ag	45.40	40.60	49.00	2103124*	x-2103436-x x-2103437-x
3	1	2.8 x 0.8	3		2	180°	Yes	Cable, Solder	Ag	45.40	40.60	49.00	2103320*	x-2103309-x
2	1	6.3 x 0.8	2	HVIL / MCON 1.2	2	180°	Yes	Cable, Solder	Ag	50.00	38.00	67.10	2141272*	x-2287490-x
5	1	6.3 x 0.8	5	HVIL / MCON 1.2	2	180°	Yes	Cable, Solder	Ag	82.00	39.50	71.60	2236454*	x-2236454-x

*) on demand

Connectivity is core to seamless power, signal and data for vehicles. TE solutions help to meet the evolving challenges and requirements of the auto industry, including data connectivity through a wide range of technologies based on coax, shielded, optical and wireless mediums.

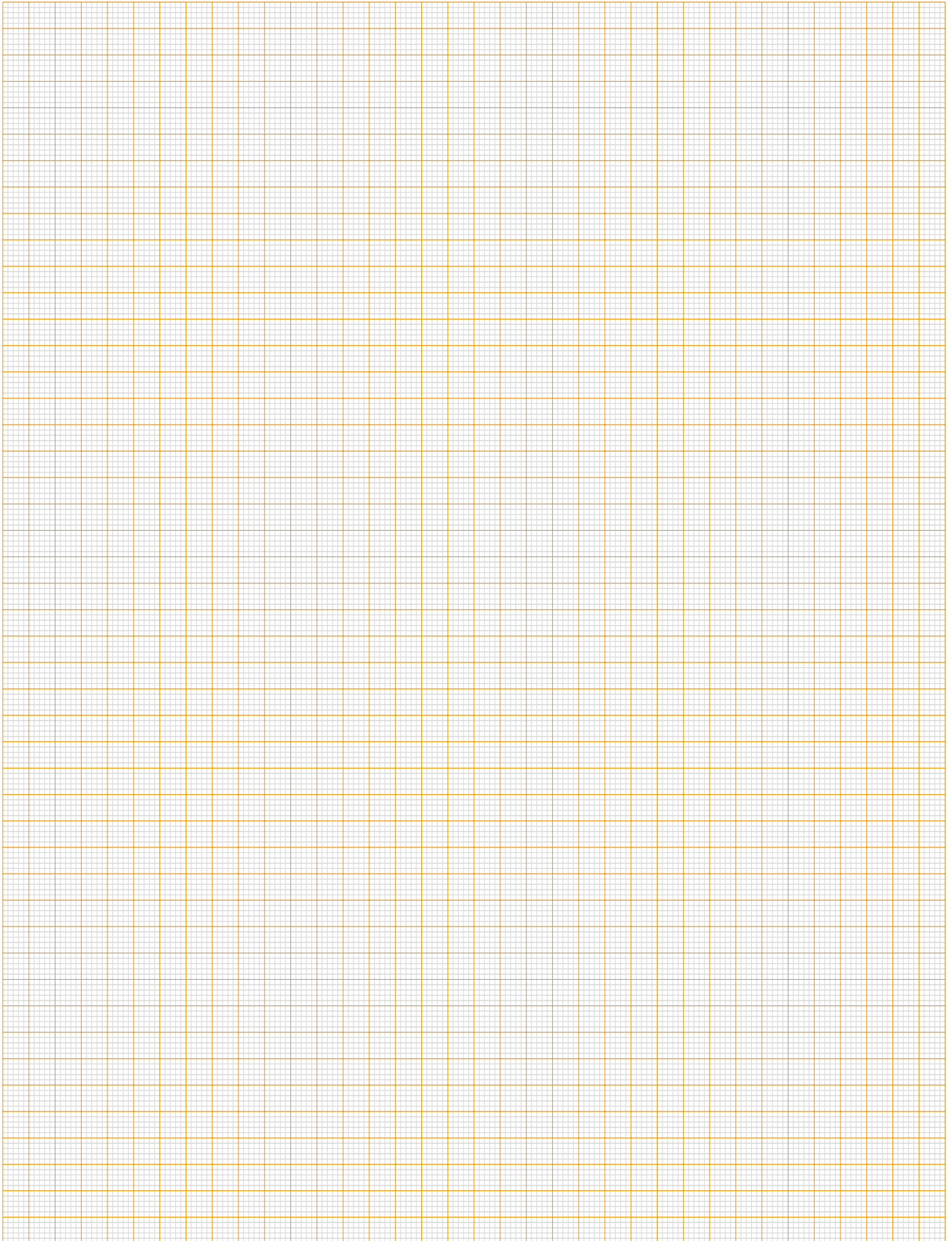
Our solutions also provide reliable performance in harsh environments, such as extreme temperature variations and vibrations in rugged terrain.



Number of Circuits	Number of Rows	Terminal 1 / Number of Circuits	Terminal 2 / Number of Circuits	Mounting Orientation	Sealed	Termination Method	Plating	Dimensions [mm]			Part Number	Mating Receptacle
								Width	Height	Length		
1	1	0.51	1	180°	No	Through Hole	Au / Sn / Ni	7.50	7.50	11.35	7-2203452-0	1452584-x 2141494-x 1719261-x 2287956-x
1	1	0.51	1	90°	No	Through Hole	Au / Sn / Ni	7.50	8.40	24.47	7-2287903-0	1452584-x 2141494-x 1719261-x 2287956-x
1	1	0.51	1	90°	No	Through Hole	Au / Sn / Ni	7.50	8.40	24.47	7-2287906-0	1452584-x 2141494-x 1719261-x 2287956-x
1	1	0.51	1	90°	No	Through Hole	Au / Sn / Ni	10.00	8.40	24.47	7-2287907-0	1452584-x 2141494-x 1719261-x 2287956-x
1	1	0.51	1	90°	No	Through Hole	Au / Sn / Ni	10.00	8.40	24.47	7-2287908-0	1452584-x 2141494-x 1719261-x 2287956-x
2	1	2	2	90	No	Crimp / Laserwelding	n/a	23.70	13.25	35.4	1-1534066-1	1-1418862-0
2	1	2	2	90	No	Crimp / Laserwelding	n/a	31.00	18.10	27.00	1-2208265-1	1-1418862-0
2	1	2	2	90	No	Crimp / Laserwelding	n/a	26.70	14.20	27.00	1-1823724-1	1-1418862-0
2	1	2	2	90	No	Crimp / Laserwelding	n/a	26.70	14.20	27.00	1-2286542-1	1-1418862-0
2	1	0.51	2	90°	No	Through Hole	Au / Sn / Ni	15.50	10.90	24.47	7-2287922-0	1452483-x 2112609-x
2	1	0.51	2	90°	No	Through Hole	Au / Sn / Ni	15.50	10.90	24.47	7-2287923-0	1452483-x 2112609-x
2	1	0.51	2	180°	No	Through Hole	Au / Sn / Ni	10.00	15.50	11.35	7-2272788-0	1452483-x 2112609-x

(continued on page 12)

Number of Circuits	Number of Rows	Terminal 1 / Number of Circuits		Terminal 2 / Number of Circuits		Mounting Orientation	Sealed	Termination Method	Plating	Dimensions [mm]			Part Number	Mating Receptacle
										Width	Height	Length		
4	2	.68 x .68	4			90°	No	Through Hole - Reflow	Au / Sn	12.00	14.15	27.30	0-2286546-9	0-1823898-x 0-2208145-x 1-2208145-x 2-2208145-x
4	2	.68 x .68	4			90°	No	Through Hole - Reflow	Au / Sn	12.00	14.15	32.85	0-2286797-9	0-1823898-x 0-2208145-x 1-2208145-x 2-2208145-x
4	2	.68 x .68	4			180°	No	Through Hole - Reflow	Au / Sn	12.00	14.15	15.50	0-2286547-9	0-1823898-x 0-2208145-x 1-2208145-x 2-2208145-x
4	2	.68 x .68	4			180°	No	Through Hole - Reflow	Au / Sn	12.00	14.15	15.50	0-2288754-9	0-1823898-x 0-2208145-x 1-2208145-x 2-2208145-x
6	3	.68 x .68	4	.63 x .63	2	90°	No	Through Hole - Reflow	Au / Sn	15.65	14.15	27.30	0-2286550-9	0-2177694-9 0-2236326-9



Numerical Index

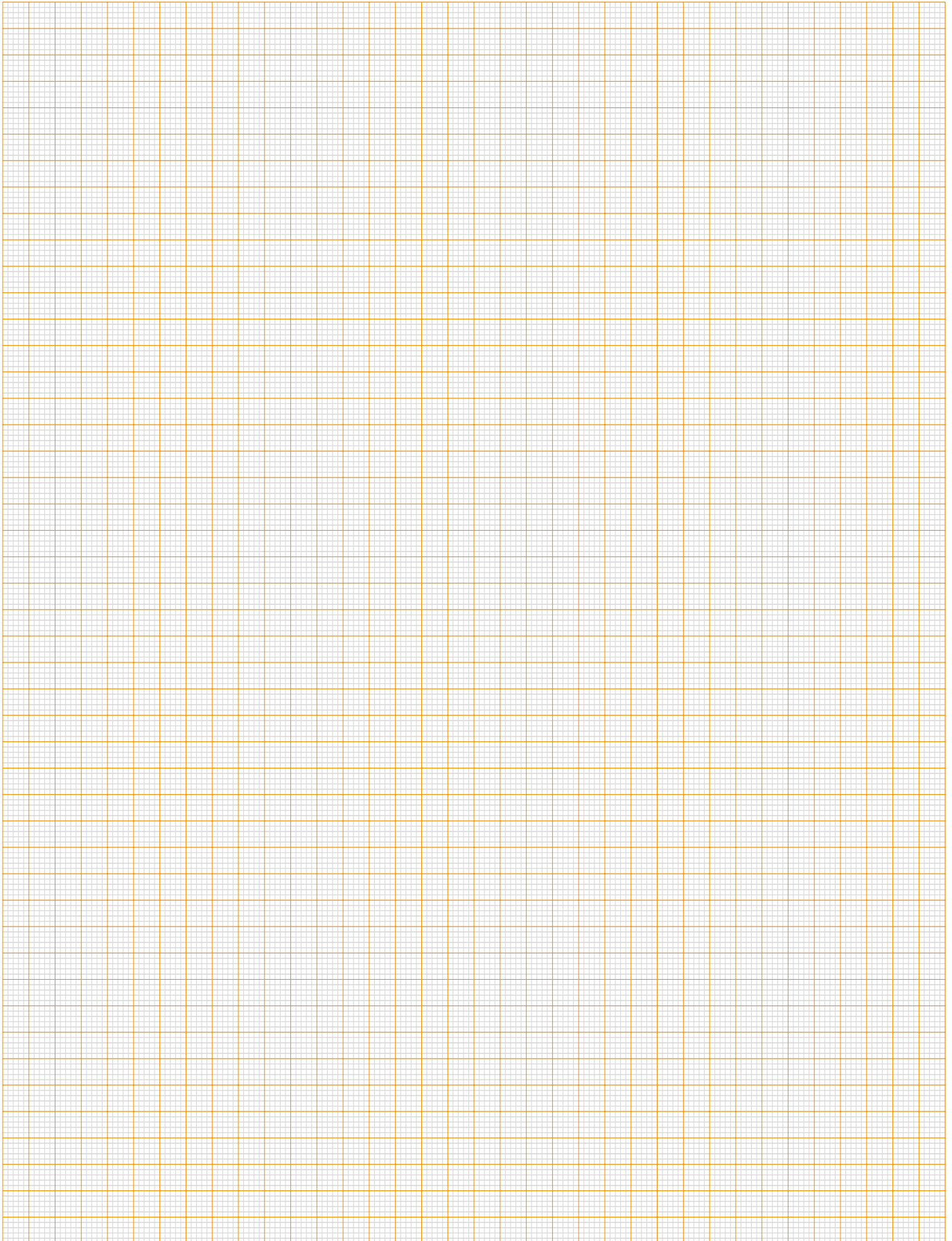
Part Number	Page	Part Number	Page	Part Number	Page
1241324	3	1-2286542-1	11	1376352-1	8
1318386	4	1-345361-1	6	1376352-1	8
1418883	9	1-929180-1	6	1376357-3	5
1717109	4	1-936524-2	9	1376368-1	4
2103124	10	1-953472-1	4	1376675-1	4
2103320	10	1-963211-1	6	1379029-1	3
2137740	10	1-963215-1	7	1379030-1	4
2141227	10	1-963221-1	7	1379030-3	4
2141230	10	1-963224-1	7	1379046-1	9
2141272	10	1-963484-1	9	1379102-1	4
2236454	10	1-963539-1	4	1379114-1	4
1-1418401-1	4	1-963540-1	4	1379114-3	4
0-1823898-x	12	1-965640-1	6, 7	1379165-7	3
0-2177694-9	12	1-966140-3	6	1379219-1	4
0-2208145-x	12	1-967162-3	3	1379640-3	4
0-2236326-9	12	1-967240-1	6	1379656-2	9
0-2286546-9	12	1-967241-1	6	1379658-1	3
0-2286547-9	12	1-967242-1	7	1379659-1	3
0-2286550-9	12	1-967250-1	4	1379700-1	3
0-2286797-9	12	1-967280-1	7	1393474-6	4
0-2288754-9	12	1-967281-1	7	1394389-1	5
1-1241370-1	3	1-967366-1	7	1394397-1	3
1-1318382-3	4	1-967573-1	4	1412061-1	9
1-1318772-3	4	1-967582-1	4	1420000-1	5
1-1355154-1	4	1-967601-1	6	1437287-4	7
1-1355211-2	3	1-967619-5	3	144935-1	5, 8
1-1355796-1	7	1-967657-1	3	1452483-x	11
1-1376350-4	3	1-967658-1	3	1452584-x	11
1-1379684-1	3	1-967742-1	5	1456549-1	8
1-1394155-4	5	1-968291-2	3	1473649-2	9
1-1394921-1	8	1-968321-1	5	1473712-1	7
1-1418862-0	11	1-968322-1	5	1473800-1	3
1-1452179-2	8	1-968682-2	8	1473898-1	4
1-1452368-4	5	1-968720-2	5	1534046-1	7
1-1452721-1	7	1-968879-1	9	1534100-1	4
1-1534066-1	11	1123337-1	9	1534180-1	5, 7
1-1534229-1	3	1123338-1	9	1534514-1	6
1-1534374-1	7	1241434-1	9	1534517-1	3
1-1564013-1	3	1241637-1	3	1534531-1	5
1-1564687-1	4	1241782-1	3	1534531-2	7
1-1670958-1	6	1318384-4	5	1534768-1	9
1-1718093-1	7	1318386-1	4, 8	1544571-5	6
1-1718346-1	3	1318389-1	5	1544575-1	6
1-1719039-7	4	1318745-2	5	1564432-1	7
1-1801065-2	4	1318774-1	4	1565476-1	4
1-1801659-1	3	1318853-2	4	1670643-2	8
1-1823724-1	11	1318917-1	8	1670887-1	3
1-1924141-3	8	1355348-1	4	1674312-1	5
1-1924678-4	8	1355740-1	8	1703948-1	4
1-2208145-x	12	1376111-2	4	1717103-1	8
1-2208265-1	11	1376113-2	5	1717109-1	8

Numerical Index

Part Number	Page	Part Number	Page	Part Number	Page
1717112-1	8	2112609-x	11	7-2287907-0	11
1717394-2	8	2134962-1	5	7-2287908-0	11
1717396-2	8	2141404-1	2	7-2287922-0	11
1719261-x	11	2141474-1	6	7-2287923-0	11
1743284-1	3	2141494-x	11	8-1393476-0	9
1745060-1	5	2141576-1	2	8-2177729-9	4
174514-1	9	2141930-2	5	8-966658-3	5
174516-1	9	2177322-1	8	826703-1	6
1746777-1	9	2177367-3	2	827137-1	7
1746875-1	4	2177370-3	2	827534-1	7
1747285-2	4	2177372-3	2	827535-1	7
174915-6	9	2177419-3	2	827667-1	7
175448-6	9	2177586-1	2	828661-1	7
1801235-1	9	2177587-1	2	828801-1	6
1801434-1	4	2177588-1	2	828801-2	6
1801657-1	5	2177748-3	2	828801-3	6
1814873-2	9	2177766-3	2	828801-4	6
1814875-1	9	2177767-3	2	828801-5	6
1823100-1	9	2177768-3	2	828801-6	7
1823172-1	3	2208165-1	2	828801-7	7
185300-1	4	2208191-1	7	9-1718346-1	3
185304-1	8	2236023-1	6	9-966140-5	6
185309-1	3	2236469-3	2	926171-1	6
185311-1	3	2236526-3	2	929504-1	6
185341-1	4	2287956-x	11	929504-2	6
185343-1	4	284134-1	4	929504-3	6
185454-1	8	284223-4	9	929504-4	6
185458-1	8	284423-4	9	929504-5	6, 7
185526-2	4	284617-1	9	929504-6	7
185529-1	4	284742-1	9	929504-7	7
185534-3	5	284743-1	9	936640-2	3
185683-1	4	3-1437290-7	7	953118-1	5
185730-1	3	3-963541-6	4	953122-6	5
185740-2	4	3-966140-1	7	953130-3	4
185879-1	4, 5	3-966140-2	6	953221-1	9
1924121-2	4	3-966140-4	6	953236-1	5
1924141-1	8	3-966140-6	7	953264-1	4
1939403-2	8	3-967618-1	4	953363-3	3
1939403-3	8	344103-1	7	953371-1	7
1989827-1	6	344106-1	7	953442-1	3
2-1355842-1	7	344108-1	7	953466-1	4
2-1412061-7	9	344111-1	7	953486-2	5
2-185226-2	5	5-1355730-1	3	953775-1	9
2-2208145-x	12	5-1393375-7	5	962315-1	8
2-827050-2	7	6-185307-1	4	963267-4	6
2-968322-1	5	6437288-6	7	963317-1	7
2005076-1	4	6473711-1	7	963325-1	7
2013029-4	2, 8	7-2203452-0	11	963357-1	7
2013031-2	2	7-2272788-0	11	963357-2	7
2035335-1	9	7-2287903-0	11	963357-3	6
2109649-2	9	7-2287906-0	11	963357-4	6

Numerical Index

Part Number	Page	Part Number	Page	Part Number	Page
963357-5	6	x-965666-x	4		
963357-6	6	x-967640-x	3		
965413-1	3	x-967642-x	7		
965601-2	3	x-968265-x	5		
966029-1	7	x-968427-x	4		
966595-1	9	x-968778-x	5		
967267-1	5				
967279-4	3				
967321-1	8				
967362-1	9				
967439-1	3				
967597-2	5				
967598-1	5				
967618-2	4				
967646-1	4				
967677-1	9				
967686-7	7				
967688-1	8				
967741-1	4				
968265-1	5				
968357-1	3				
968473-1	4				
968705-9	3				
968814-2	7				
969599-1	5				
969682-1	8				
x-1318695-x	5				
x-1318747-x	5				
x-1318774-x	4				
x-1318917-x	4				
x-1376360-x	5				
x-1376675-x	4				
x-1379671-x	5				
x-144935-x	5				
x-1674932-x	5				
x-1717118-x	5				
x-185304-x	4				
x-185304-x	8				
x-2103309-x	10				
x-2103436-x	10				
x-2103437-x	10				
x-2137704-x	10				
x-2141154-x	10				
x-2141166-x	10				
x-2177053-x	10				
x-2177063-x	10				
x-2236454-x	10				
x-2287490-x	10				
x-929682-x	4				
x-964466-x	8				
x-964466-x	8				



TE CONNECTIVITY ONLINE

TE.com offers an enhanced digital experience, with more than 250,000 parts profiled. The site has deep, rich product data and easier access to tools and services. Other offerings include improved search and navigation and knowledge and idea sharing.



COLLATERAL

TE.com offers a variety of product-specific catalogs, brochures, white papers and other technical information. To download our literature visit

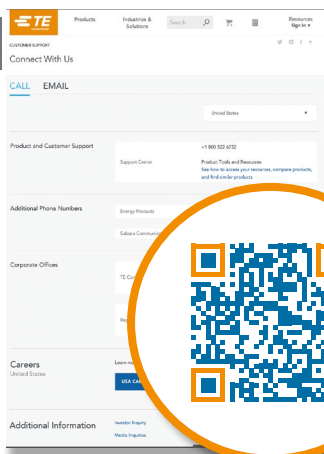
www.te.com/automotiveliterature.html



PRODUCT INFORMATION

Search for a specific product by category, part number or document number.

www.TE.com



STAY CONNECTED

You can rely on TE's PIC Team to answer your general or technical questions. To contact a PIC representative, visit

www.TE.com/support-center

EUROPE

Product Information Center
EMEA

Phone: +800 0440-5100
(toll-free)

UNITED STATES

United States - Harrisburg

Product Information Center:
Phone: +1 800-522-6752
Fax: +1 717-986-7575

SOUTH AMERICA

South America

Phone: +54 11-4733-2015
Fax: +54 11-4733-2083

AFRICA

South Africa -
Port Elizabeth

Phone: +27 41-503-4500
Fax: +27 41-581-0440

ASIA/PACIFIC

Australia - Sydney

Product Information Center:
Phone: +61 2-9840-8200
Fax: +61 2-9634-6188

People's Republic of China

Hong Kong
Phone: +852 2738-8731
Fax: +852 2735-0243

People's Republic of China

Shanghai
Phone: +86 21-3398-0000
Fax: +86 21-3398-1999

Korea - Seoul

Phone: +82 2-3415-4500
Fax: +82 2-3486-3810

DISCLAIMER

While TE Connectivity (TE) has made every reasonable effort to ensure the accuracy of the information in this catalog, TE does not guarantee that it is error-free, nor does TE make any other representation, warranty or guarantee that the information is accurate, correct, reliable or current. TE reserves the right to make any adjustments to the information contained herein at any time without notice.

TE expressly disclaims all implied warranties regarding the information contained herein, including, but not limited to, any implied warranties of merchantability or fitness for a particular purpose. The dimensions in this catalog are for reference purposes only and are subject to change without notice. Specifications are subject to change without notice. Consult TE for the latest dimensions and design specifications.

TRADEMARKS

AMP MCP, MCON, TE, TE Connectivity, TE connectivity (logo), and EVERY CONNECTION COUNTS are trademarks. Other product names, logos, and company names mentioned herein may be trademarks of their respective owners.

COPYRIGHT

© 2017 TE Connectivity family of companies.

All rights reserved.

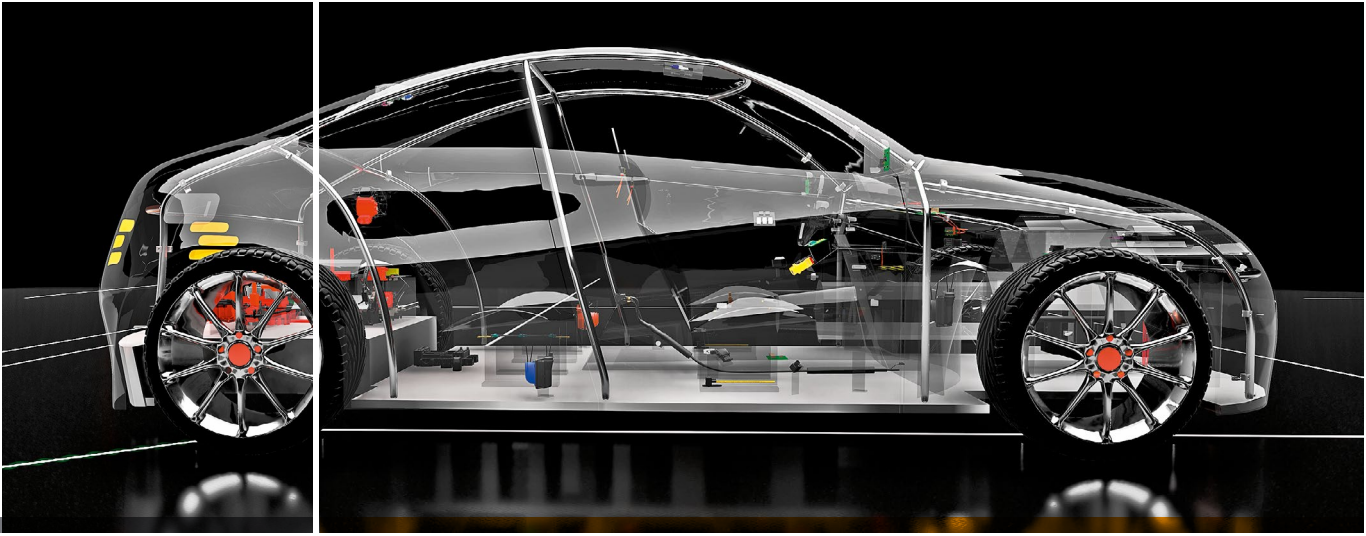
TE Connectivity Germany GmbH certified acc. ISO 14001 and ISO/TS 16949:2002

TE Connectivity Germany GmbH

Ampèrestrasse 12-14 | 64625 Bensheim | Germany

Phone: +49 (0)6251 133-0

Fax: +49 (0)6251 133-1600



1-1773898-9 | PRRevised 03-2017b



TE Connectivity
Header Portfolio
ONLINE