

File E507163
Project 4789807784

June 30, 2021

REPORT

On

COMMUNICATIONS-, AUDIO/VIDEO-, DATA- AND OTHER SIGNALING-CIRCUIT ACCESSORIES

TYCO ELECTRONICS (SHANGHAI) CO LTD
Shanghai, China

Copyright © 2021 UL LLC

UL LLC authorizes the above named company to reproduce this Report only for purposes as described in the Conclusion. The Report should be reproduced in its entirety; however to protect confidential product information, the Construction Details Descriptive pages may be excluded.

DESCRIPTION

PRODUCT COVERED:

USL/CNL - Ethernet Cable, Models TAD14545101-XXX,
TAD14541111-XXX,
TAD1453A201-XXX,
TAD2453A201-XXX,
TCD14745101-XXX,
TCD14741111-XXX,
TCD1473A201-XXX,
TCD2473A201-XXX

where X can be any digit or character such that XXX represent different cable lengths

TECHNICAL CONSIDERATIONS (NOT FOR FILED REPRESENTATIVE'S USE):

USL indicates investigation to the U. S. Standard for Communication Circuit Accessories, UL 1863 STANDARD FOR COMMUNICATIONS-CIRCUIT ACCESSORIES - Edition 4 - Revision Date 2019/10/14.

CNL indicates investigation to the Standard for Plugs, Receptacles and Connectors for Communication Systems, CAN/CSA C22.2 NO. 182.4-M90, PLUGS, RECEPTACLES AND CONNECTORS FOR COMMUNICATION SYSTEMS, FIRST EDITION, DATED MAY 1990 WITH REAFFIRMED 2020, and CAN/CSA C22.2 NO. 233-17, CORDS AND CORD SETS FOR COMMUNICATION SYSTEMS, THIRD EDITION, DATED MAY, 2017.

General - The products described in this Report, are intended for indoor use only and are constructed of R/C plastic (QMFZ2/8), R/C modular plug (DUXR2/8) and listed cable (DUZX/7). If the connector is employed on a telephone loop circuit/ Data communication channel, it shall be employed on the equipment side on a Listed primary telephone protector.

Component Servicing - These units shall be repaired by personnel trained by the manufacturer or returned to the manufacturer for repair or replacement.

Ratings - The units are intended for communication circuits operating at 175 mA or less and a maximum 56.5 V dc, ringing voltage not to exceed 150 V rms. The units are also intended for data communication circuits operating at a maximum 1500 mA, 30 V ac, 42 V dc.

CONSTRUCTION DETAILS:

The following items are described in Sec. Gen.

Corrosion Protection

Markings

Solder Connections - Made mechanically secure prior to soldering.

ADDITIONAL MARKING:

No electrical rating provided on this product.

INSTALLATION INSTRUCTION:

The product installed in accordance with the applicable requirements of the National Electrical Code and the local authorities having jurisdiction. The instructions shall contain the following wording or equivalent:

1. Never install Data Communication / telephone wiring during a lighting storm.
2. Never install Data Communication / telephone wiring in wet location unless the wiring is specifically designed for wet locations.
3. Never touch uninsulated Data Communication / telephone wires or terminals unless the telephone line / Communication line has been disconnected at the network interface.
4. Use caution when installing or modifying Data Communication lines / telephone lines.

General - The general design, shape, and arrangement shall be as illustrated in the following figure, except where variations are specifically described.

ILLUSTRATIONS:

Illustration	Description
ILL.1	Product spec of model TADX45XXXX1XXX
ILL.2	Product spec of model TCDX47XXXX1XXX
ILL.3	Inner-over molding for RJ45 Plug
ILL.4	Outer-over molding for RJ45 Plug
ILL.5	Shielded over molding spec
ILL.6	M12 D code male housing spec
ILL.7	M12 D code female housing spec
ILL.8	Unshielded over molding spec
ILL.9	User manual

MODEL DIFFERENCE:

The models are similar except for cable, cable jacket, overholding material and types of connectors. See the following table for details.

Description	Model	Plug Side 1	Plug Side 2	Cable	Over molding material for M12 D Code	Over molding material for RJ45	Inner-over molding for RJ45	Cable Color
ProfiNet SHIELDED CAT 5E TYPE C, 4C 22AWG, PUR	TAD145 45101-XXX	MS	FS	AWM style 20549 80°C 300V VW-1	BASF CORP (E151418), Grade 11 95 A (a) 000	N/A	N/A	Green
ProfiNet SHIELDED CAT 5E TYPE B, 4C 22AWG, PVC	TAD145 41111-XXX	MS	FS	AWM style 2464 80°C 300V VW-1	MEGA (E228272), Grade MJ-00168, black	N/A	N/A	
INDUSTRIAL ETHERNET/IP HI-FLEX CAT5E CABLE SF/UTP, 2PRX24AWG, TPE JACKET	TAD145 3A201-XXX	MS	FS	Type CMX Outdoor -CM 75°C FT-1	BASF CORP (E151418), Grade 11 95 A (a) 000	N/A	N/A	Blue
INDUSTRIAL ETHERNET/IP HI-FLEX CAT5E CABLE U/UTP, 2PRX24AWG, TPE JACKET	TAD245 3A201-XXX	MS	FS	Type CMX Outdoor -CM 75°C FT-1	BASF CORP (E151418), Grade 11 95 A (a) 000	N/A	N/A	

Description	Model	Plug Side 1	Plug Side 2	Cable	Over molding material for M12 D Code	Outer-Over molding material for RJ45	Inner-over molding for RJ45	Cable Color
ProfiNet SHIELDED CAT 5E TYPE C, 4C 22AWG, PUR	TCD147 45101-XXX	MS	RJ45	AWM style 20549 80°C 300V VW-1	BASF CORP (E151418), Grade 11 95 A (a) 000	BASF CORP (E151418), Grade 11 95 A (a) 000	KINGFA SCI & TECH CO LTD (E171666), PE-RH200	Green
ProfiNet SHIELDED CAT 5E TYPE B, 4C 22AWG, PVC	TCD147 41111-XXX	MS	RJ45	AWM style 2464 80°C 300V VW-1	MEGA (E228272), Grade MJ-00168, black	MEGA (E228272), Grade MJ-00168, black	KINGFA SCI & TECH CO LTD (E171666), PE-RH200	
INDUSTRIAL ETHERNET/IP HI-FLEX CAT5E CABLE SF/UTP, 2PRX24AWG, TPE JACKET	TCD147 3A201-XXX	MS	RJ45	Type CMX Outdoor -CM 75°C FT-1	BASF CORP (E151418), Grade 11 95 A (a) 000	BASF CORP (E151418), Grade 11 95 A (a) 000	KINGFA SCI & TECH CO LTD (E171666), PE-RH200	Blue
INDUSTRIAL ETHERNET/IP HI-FLEX CAT5E CABLE U/UTP, 2PRX24AWG, TPE JACKET	TCD247 3A201-XXX	MS	RJ45	Type CMX Outdoor -CM 75°C FT-1	BASF CORP (E151418), Grade 11 95 A (a) 000	BASF CORP (E151418), Grade 11 95 A (a) 000	KINGFA SCI & TECH CO LTD (E171666), PE-RH200	

Where MS stands for M12 D Code male straight; FS stands for M12 D Code female straight.

and Report

Ethernet Cable, Models TAD14545101-XXX - Fig. 1,
TAD14541111-XXX - Fig. 2,
TAD1453A201-XXX - Fig. 3,
TAD2453A201-XXX - Fig. 4,
TCD14745101-XXX - Fig. 5,
TCD14741111-XXX - Fig. 6,
TCD1473A201-XXX - Fig. 7,
TCD2473A201-XXX - Fig. 8,

General -

Fig. 1 show an overall view of model TAD14545101-XXX,
Fig. 2 show an overall view of model TAD14541111-XXX,
Fig. 3 show an overall view of model TAD1453A201-XXX,
Fig. 4 show an overall view of model TAD2453A201-XXX,
Fig. 5 show an overall view of model TCD14745101-XXX,
Fig. 6 show an overall view of model TCD14741111-XXX,
Fig. 7 show an overall view of model TCD1473A201-XXX,
Fig. 8 show an overall view of model TCD2473A201-XXX

1. Cable - (AVLV2/8), BELDEN SOLUTIONS ASIA LTD (E357312), Style 2464 and 20549, min AWG 22, with four internal wires, rated maximum 300 V, maximum 80 °C, marked with VW-1; See Model difference for types of cable used.

Cable - (DUZX/7), BERK-TEK L L C (E107890), Type CMX Outdoor-CM, min AWG 24, with four internal wires, maximum 75 °C , marked with FT-1; See Model difference for types of cable used.

2. Plug - See Model difference for types of connector used.

MS-male straight shielded connector - Constructed with Male housing, (QFMZ2/8), BASF SE (E41871), Grade A3X2G5(f2)(r), black, V-0, min. 0.82 mm thick, 115°C. See Ill. 6 for overall dimension.

FS-female straight shielded connector - Constructed with Female housing, (QFMZ2/8), BASF SE (E41871), Grade A3X2G5(f2)(r), black, V-0, min. 0.90 mm thick, 115°C. See Ill. 7 for overall dimension.

RJ45 -(DUXR2/8), WENZHOU YIHUA CONNECTOR CO LTD (E166108), APBCS (e) series, model 8P4CS.

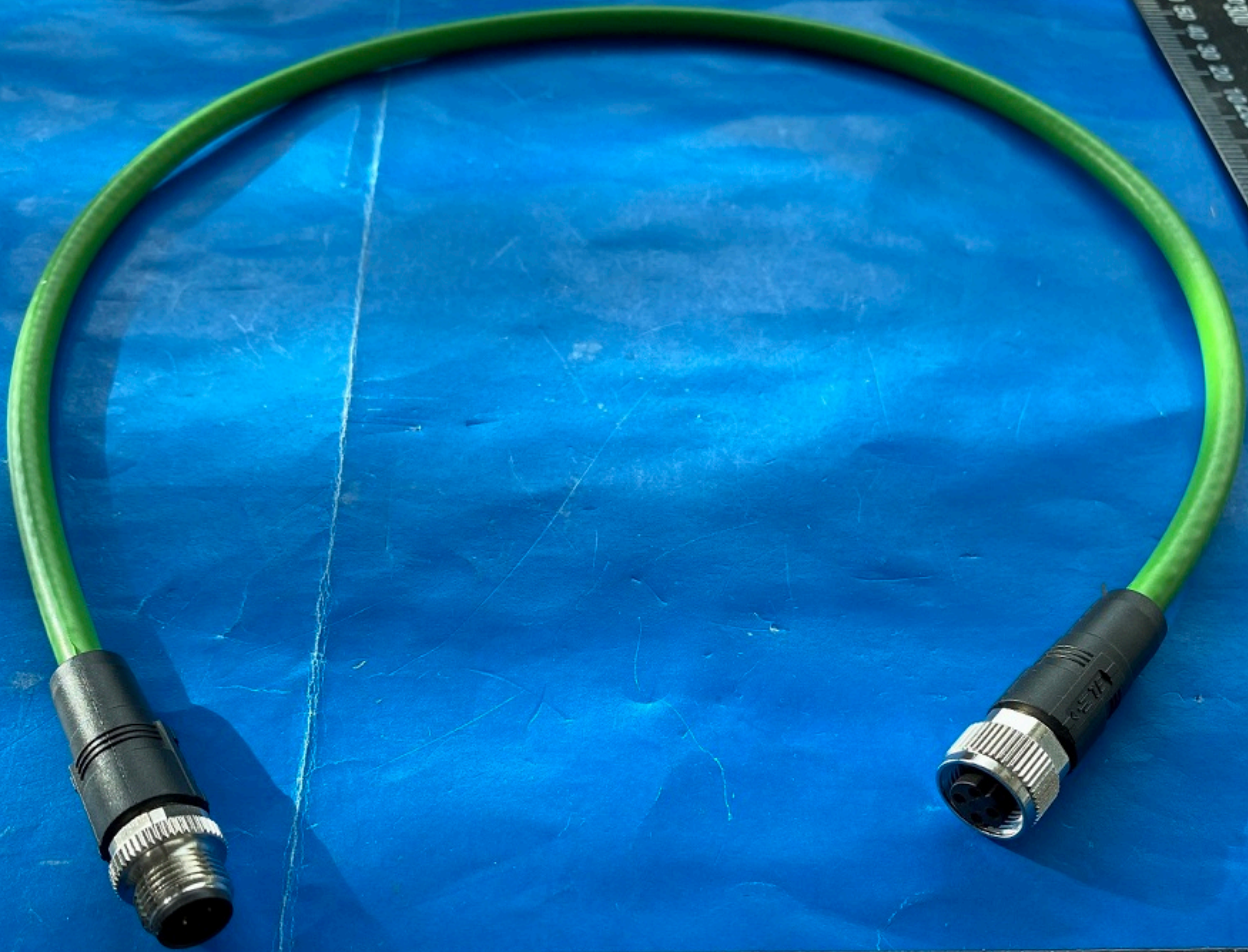
3. Over/Outer-over molding material - (QMFZ2/8), See Model difference for types of material used and See Ill. 4 for Outer-over molding detail dimension, Ill. 5 and 8 for over molding detail dimension.

MEGA COMPOUND CO LTD (E228272), Grade MJ-00168, black, V-0, min. 2.15 mm thick, 50°C.

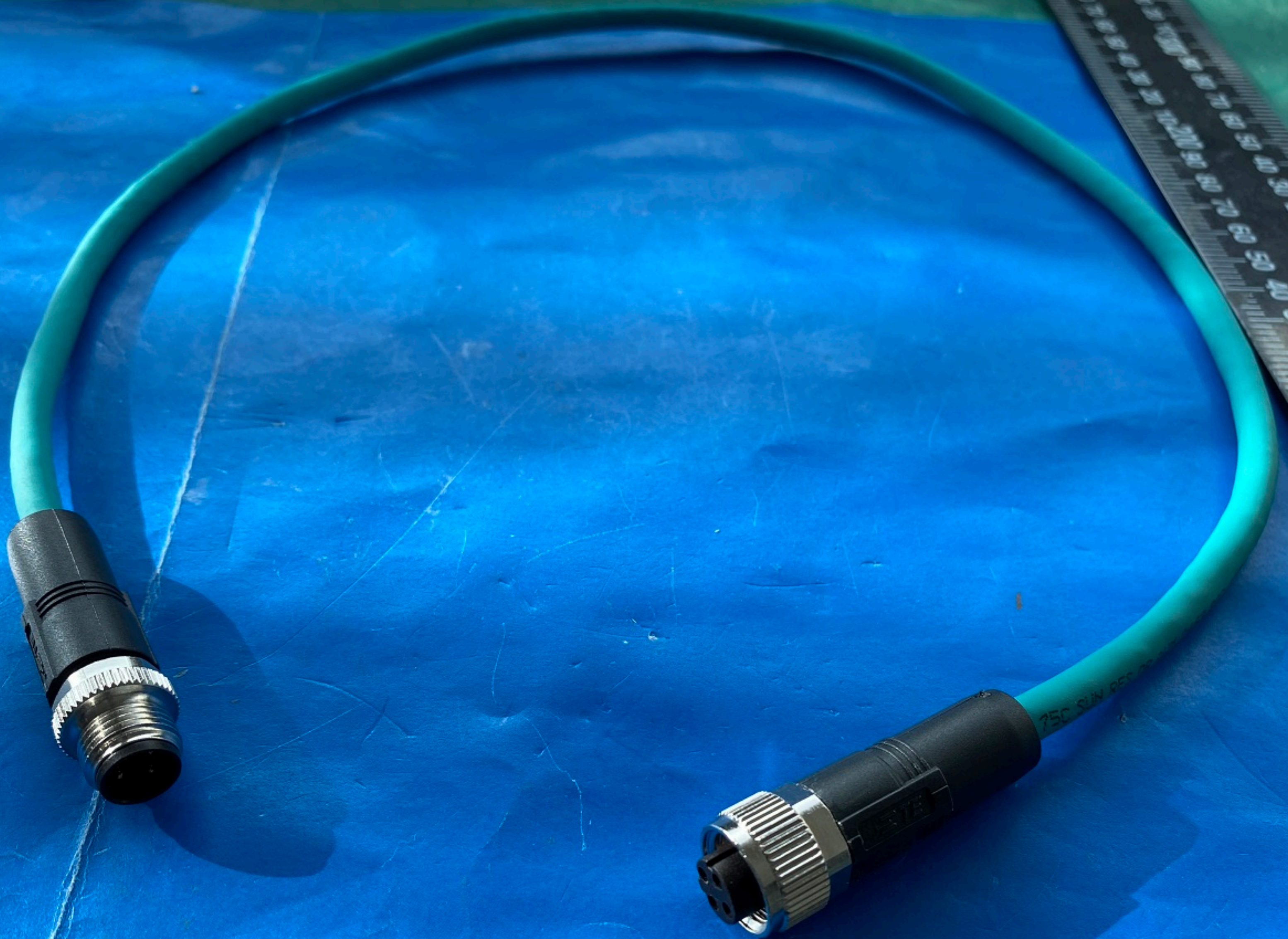
BASF CORP (E151418), Grade 11 95 A (a) 000 with colorant mixed to achieve black color (Avient Colorants USA LLC (E73454), GPXXXXXXXX series, Grade GP93447087), min. 2.15 mm thick, 50°C.

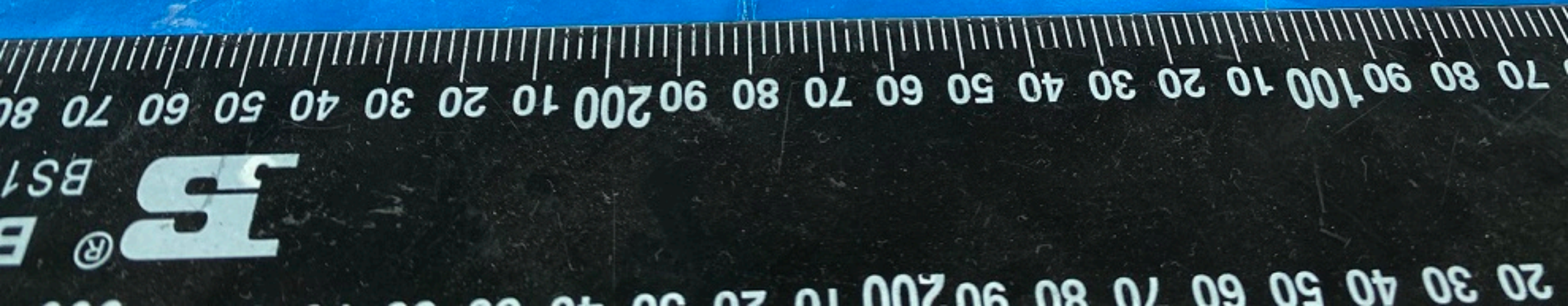
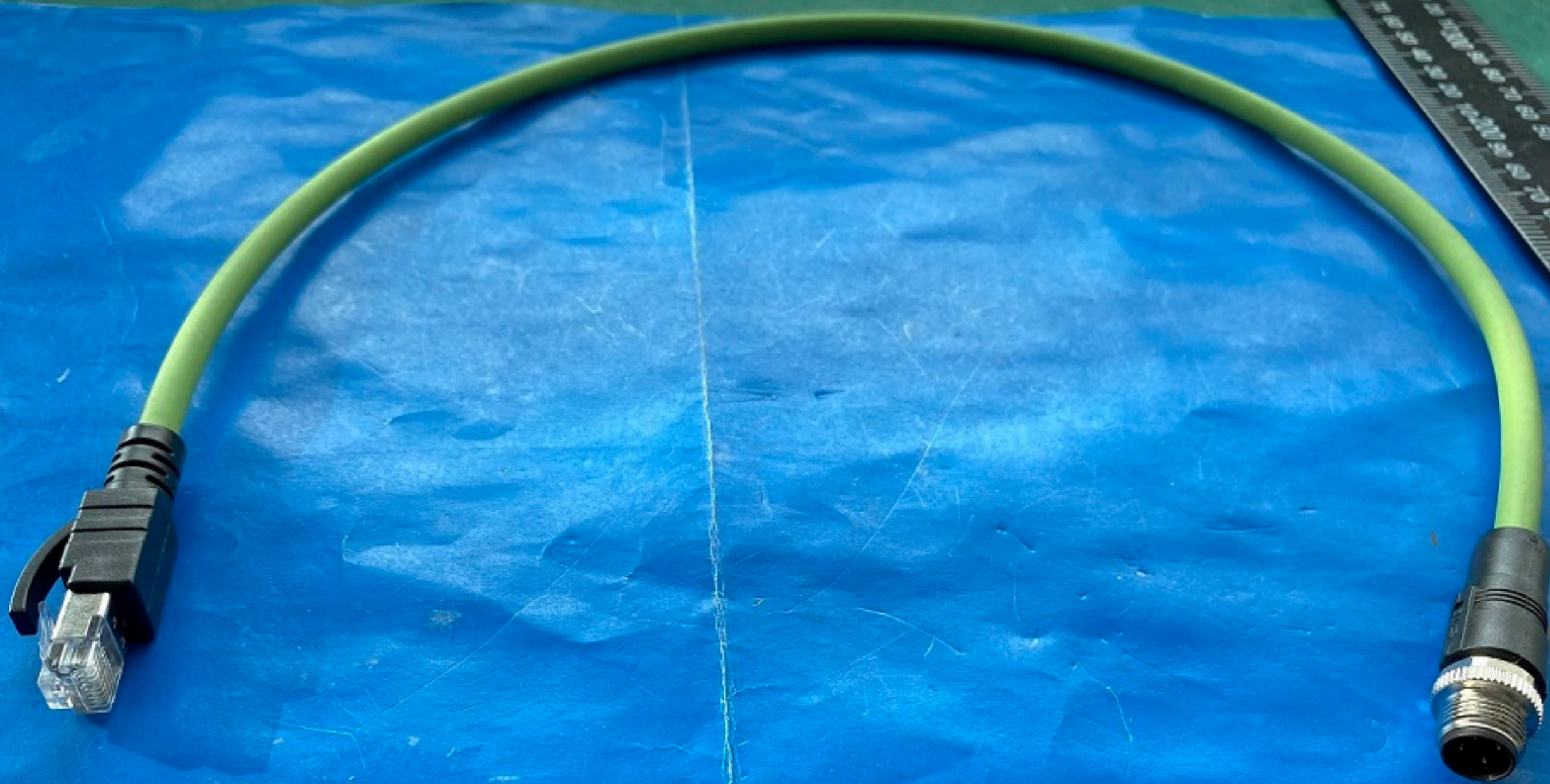
4. Inner-over molding material - KINGFA SCI & TECH CO LTD (E171666), Grade PE-RH200, V-2, min. 1.5 mm thick, 50°C. See Ill. 3 for detail dimension.
5. M12 D code male contact - Four provided, copper alloy, gold or tin plated over nickel.

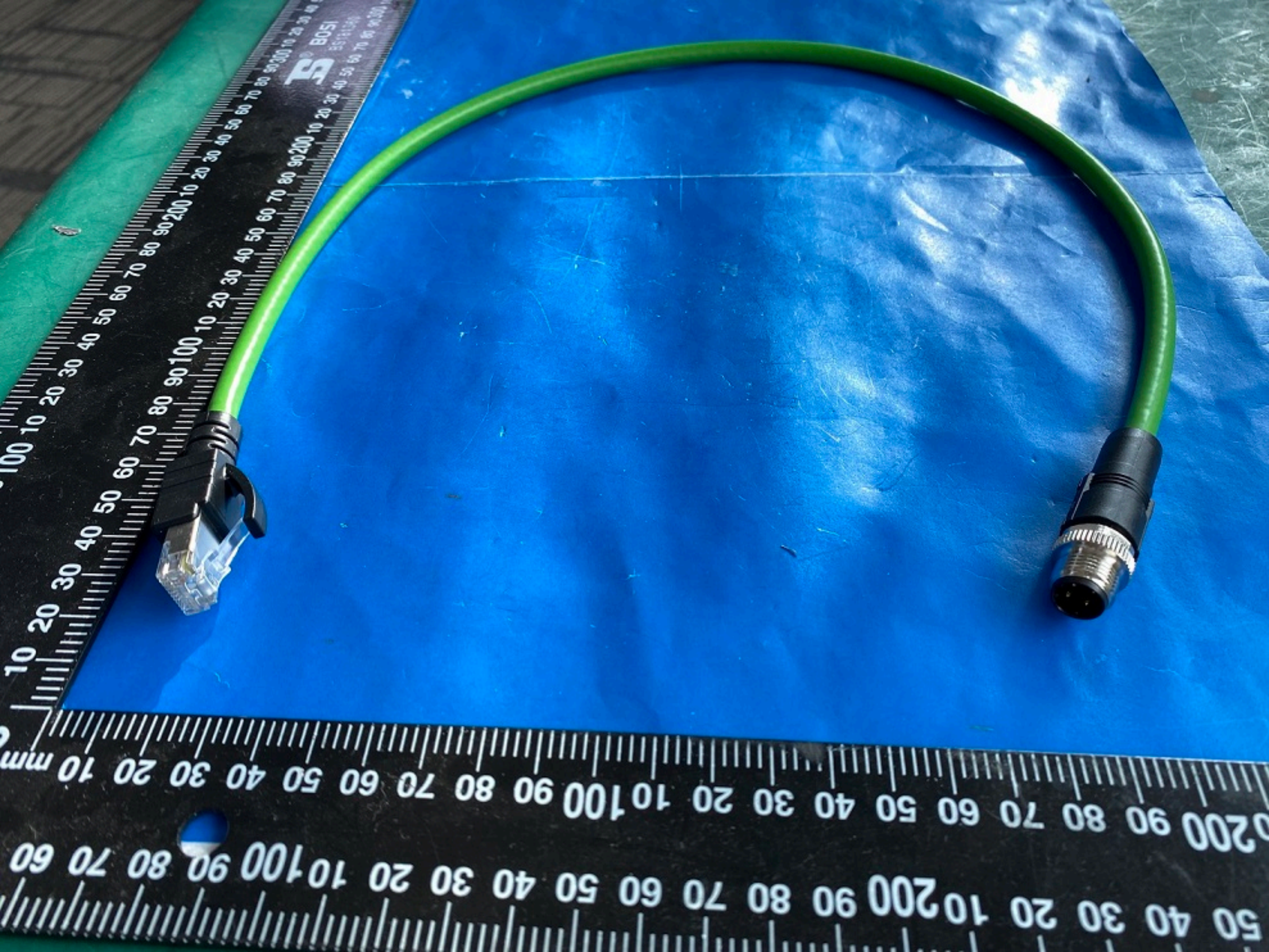


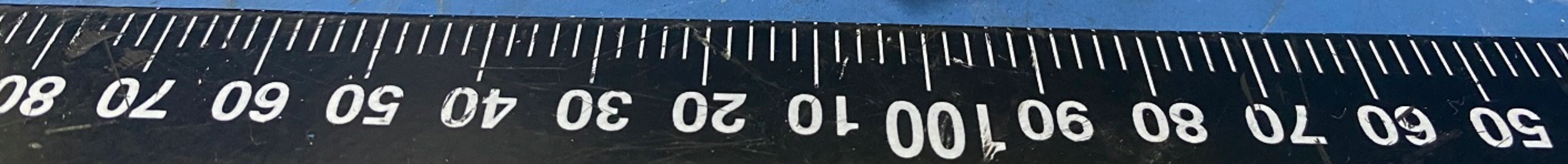










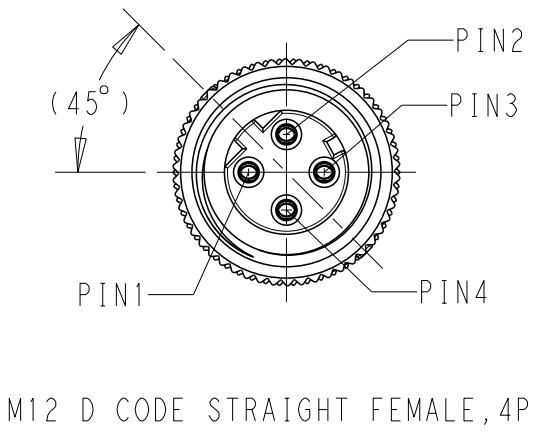
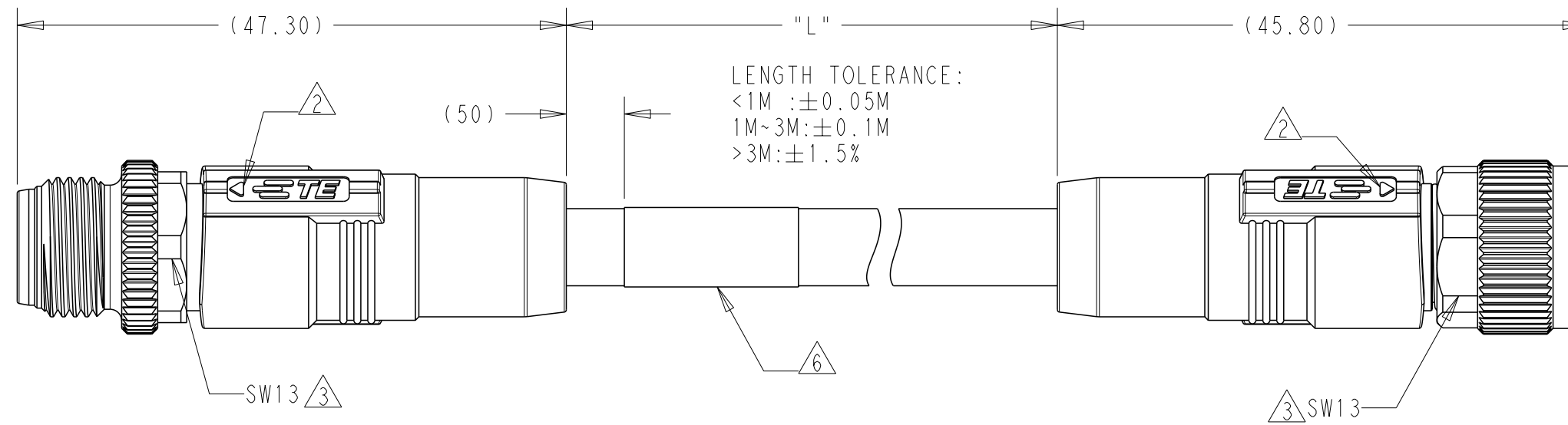
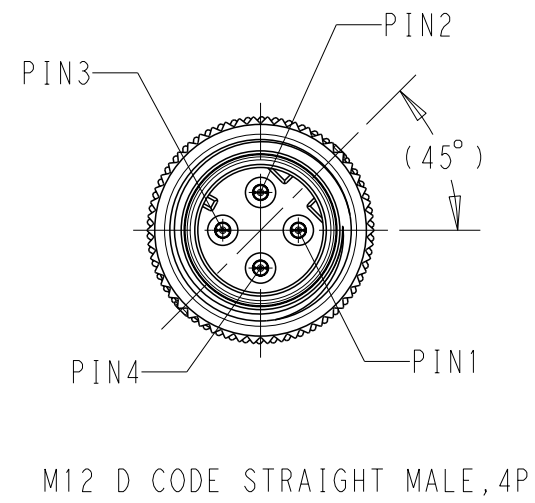


For Reference Only

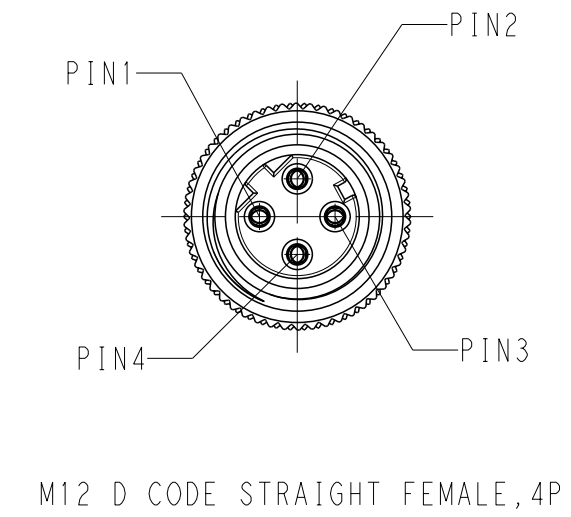
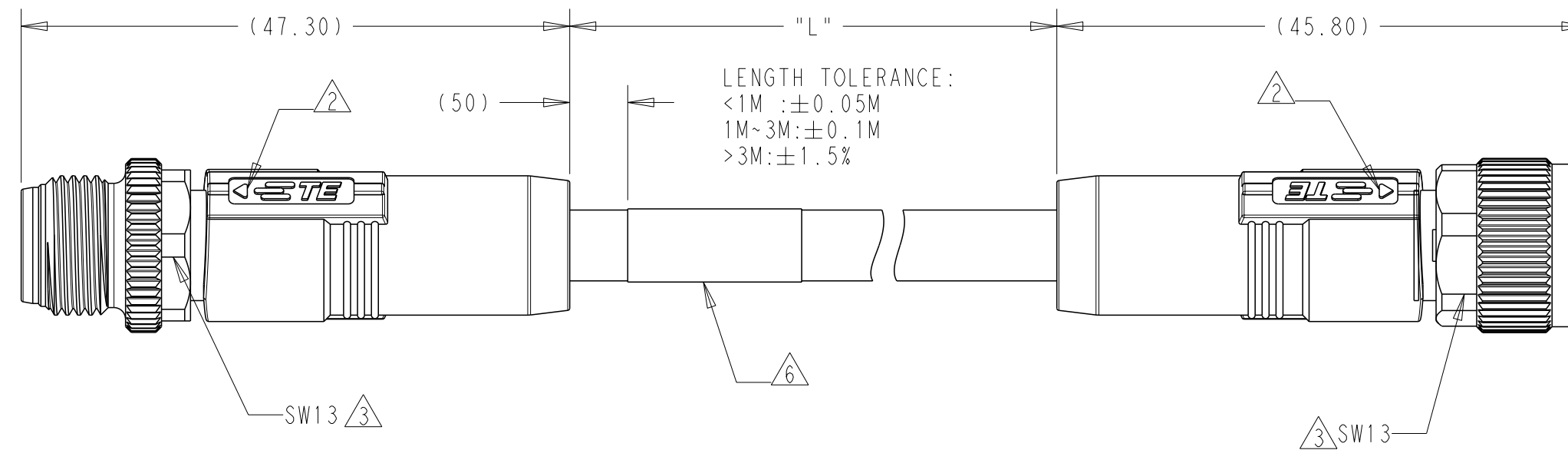
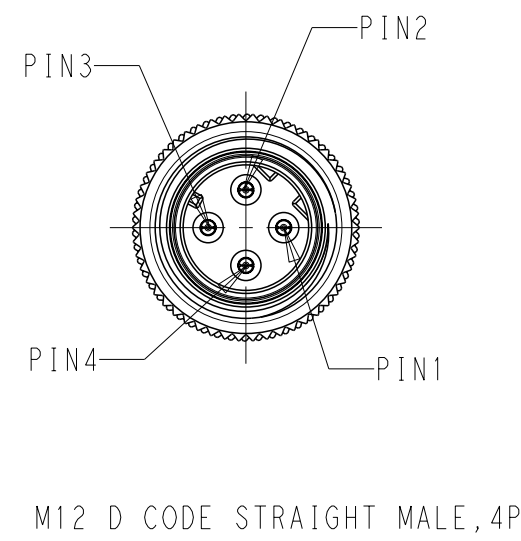


For Reference Only

REVISIONS					
P	LTR	DESCRIPTION	DATE	DWN	APVD
A		INITIAL VERSION RELEASE	22SEP2020	F.Y	C.W
A1		PER ECR-21-001399	08FEB2021	F.Y	C.W



TADI4545101-XXX
 TADI4541111-XXX
 TADI453A201-XXX



TAD2453A201-XXX

NOTE:

1. TECHNICAL DATA: SEE TABLE 1
- ②. CODE POSITION INDICATOR.
- ③. RECOMMENDED TORQUE 0.6NM
- ④. -** : CABLE LENGTH, FOR EXAMPLE: -0.5M
5. CABLE ASSEMBLY TO BE PACKAGED AS PACKAGING SPECIFICATION
- ⑥ LABEL CONTAINS: PN, DATE CODE...
- ① -XXX: FOR CABLE LENGTH, SEE TABLE 2 AND REFER TO LENGTH "L"

注释:

1. 技术参数: 参考表 1
- ②. CODE位置指示
- ③. 推荐扭力 0.6NM
- ④. -** : 线缆长度 例如: -0.5M
5. 线缆组件按照包装规范包装;
- ⑥. 标签包含: 产品编号, 日期代码...
- ① -XXX: 线缆长度, 参考表2, 参照长度"L".

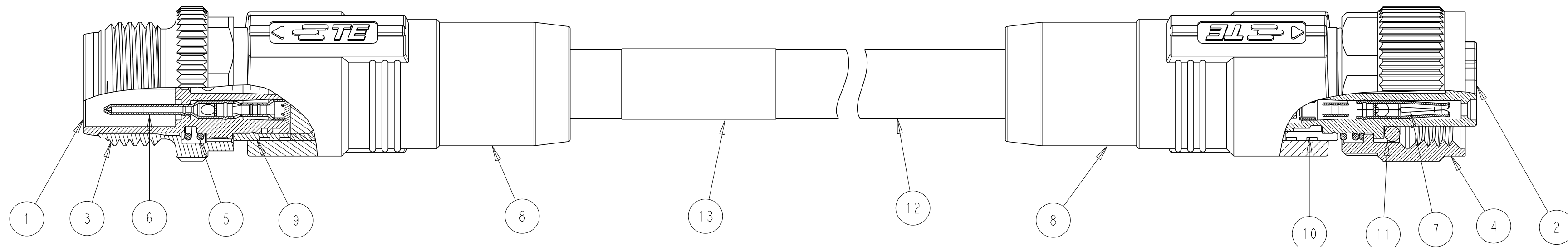
THIS DRAWING IS A CONTROLLED DOCUMENT.		DWN FENCER YU 22SEP2020	TE Connectivity	
DIMENSIONS: mm		CHK CHRIS WANG 22SEP2020		
TOLERANCES UNLESS OTHERWISE SPECIFIED:		APVD CHRIS WANG 22SEP2020	NAME M12 D CODE CABLE ASSY, 4P SHIELDED/UNSHIELDED MS TO FS	
0 PLC ±		PRODUCT SPEC 108-106140	SIZE A2	
1 PLC ±		APPLICATION SPEC 114-137144	CAGE CODE 00779	DRAWING NO TAD45XXXX1XXX
2 PLC ±		WEIGHT -	RESTRICTED TO -	
3 PLC ±		CUSTOMER DRAWING	SCALE 2:1	SHEET 1 OF 3
4 PLC ±			REV A1	
ANGLES ±				
FINISH -				

REVISIONS

P	LTR	DESCRIPTION	DATE	DWN	APVD
		SEE SHEET 1			

INDUSTRIAL ETHERNET CAT5E UNSHIELDED TPE CABLE, TEAL: WIRES: 2PRX24AWG WIRE COLOR: PAIR1-WHITE/ORANGE PAIR2-WHITE/GREEN OD: APPROX. 6.10MM TEMPERATURE RATING: 80°C UL OPERATING TEMP RATING: -40°C To +80°C		M12D4-MS-FS-TPE-24UNSH-TEAL-**-** ⁴	TAD2453A201-XXX ⁷
INDUSTRIAL ETHERNET CAT5E SHIELDED TPE CABLE, TEAL: WIRES: 2PRX24AWG WIRE COLOR: PAIR1-WHITE/ORANGE PAIR2-WHITE/GREEN OD: APPROX. 6.60MM TEMPERATURE RATING: 80°C UL OPERATING TEMP RATING: -40°C To +80°C	LENGTH STANDARD: -001: 0.5M -002: 1.0M -003: 1.5M -004: 3.0M -005: 5.0M -006: 7.0M -007: 10.0M	M12D4-MS-FS-TPE-24SH-TEAL-**-** ⁴	TAD1453A201-XXX ⁷
INDUSTRIAL ETHERNET PROFINET TYPE B CAT5E SHIELDED PVC CABLE, GREEN: WIRES: 1X4X22AWG WIRE COLOR: WHITE/YELLOW/BLUE/ORANGE OD: APPROX. 6.5MM TEMPERATURE RATING: 80°C UL OPERATING TEMP RATING: -40°C To +80°C	CUSTOMIZATION: -99X: 0.XM (<1M) (-993: 0.3M) -XXX: XX.XM (>1M) (-155: 15.5M) TOLERANCE: 0-1M: ±0.05M 1-3M: ±0.1M >3M: ±1.5%	M12D4-MS-FS-PVC-22SH-TYPE B GREEN-**-** ⁴	TAD14541111-XXX ⁷
INDUSTRIAL ETHERNET PROFINET TYPE C CAT5E SHIELDED PUR CABLE, GREEN: WIRES: 1X4X22AWG WIRE COLOR: WHITE/YELLOW/BLUE/ORANGE OD: APPROX. 6.65MM TEMPERATURE RATING: 80°C UL OPERATING TEMP RATING: -30°C To +70°C		M12D4-MS-FS-PUR-22SH-TYPE C GREEN-**-** ⁴	TAD14545101-XXX ⁷
CABLE CHARACTERISTIC	LENGTH "L"	TYPE	TABLE 2 TE PN

-	-	LABEL	13	1	1	1	1
-	PUR/PVC/TPE	CABLE	12	1	1	1	1
-	-	O-RING	11	1	1	1	1
NICKEL PLATED	BRASS	FEMALE STRAIGHT SHELL	10	1	1	1	-
NICKEL PLATED	BRASS	MALE STRAIGHT SHELL	9	1	1	1	-
BLACK	PVC	OVER-MOLDING	8	-	1	-	-
	TPU		1	-	1	1	
GOLD PLATED	COPPER ALLOY	FEMALE CONTACT	7	4	4	4	4
GOLD PLATED	COPPER ALLOY	MALE CONTACT	6	4	4	4	4
-	SUS	SPRING	5	2	2	2	1
NICKEL PLATED	BRASS	M12 FEMALE NUT	4	1	1	1	1
NICKEL PLATED	BRASS	M12, MALE NUT	3	1	1	1	1
-	PA66, 25%GF	M12, FEMALE HSG, D CODE, 4P	2	1	1	1	1
-	PA66, 25%GF	M12, MALE HSG, D CODE, 4P	1	1	1	1	1
NOTES 备注	MATERIAL 材质	DESCRIPTION 描述	ITEM 序号	TAD14545101-XXX	TAD14541111-XXX	TAD1453A201-XXX	TAD2453A201-XXX



PIN ARRANGEMENT

SHIELDED		UNSHIELDED
TAD14545101-XXX TAD14541111-XXX: USE PUR AND PVC SHIELDED CABLE	TAD1453A201-XXX USE TPE SHIELDED CABLE	TAD2453A201-XXX USE TPE UNSHIELDED CABLE
<p>CIRCUIT DIAGRAM</p> <p>MALE FEMALE</p> <p>SHIELD</p>	<p>CIRCUIT DIAGRAM</p> <p>MALE FEMALE</p> <p>SHIELD</p>	<p>CIRCUIT DIAGRAM</p> <p>MALE FEMALE</p>

TABLE 1

TECHNICAL DATA	TAD14545101-XXX TAD14541111-XXX	TAD1453A201-XXX TAD2453A201-XXX
RATED VOLTAGE	250V 30V(UL)	250V 30V(UL)
RATED CURRENT	4A 1.5A(UL)	3A 1.5A(UL)
POLLUTION DEGREE	3	3
OVERVOLTAGE CATEGORY	II	II
MATERIAL GROUP	II	II
INSULATION RESISTANCE	100MΩ	100MΩ
DEGREE OF PROTECTION	IP67	IP67

THIS DRAWING IS A CONTROLLED DOCUMENT.

DIMENSIONS: mm

TOLERANCES UNLESS OTHERWISE SPECIFIED:

0 PLC	±
1 PLC	±
2 PLC	±
3 PLC	±
4 PLC	±
ANGLES	±
FINISH	±

MATERIAL: -

DWN: FENCER YU 22SEP2020
CHK: CHRIS WANG 22SEP2020
APVD: CHRIS WANG 22SEP2020

PRODUCT SPEC: 108-106140
APPLICATION SPEC: 114-137144

NAME: M12 D CODE CABLE ASSY, 4P SHIELDED/UNSHIELDED MS TO FS

SIZE: A2 CAGE CODE: 00779 DRAWING NO: TADX45XXXX1XXX RESTRICTED TO: -

SCALE: 2:1 SHEET: 2 OF 3 REV: A1

CUSTOMER DRAWING

REVISIONS

P	LTR	DESCRIPTION	DATE	DWN	APVD
		SEE SHEET 1			

PRODUCT CODE :

T A D X X X X X X X - X X X

No.12-14: CABLE LENGTH:
 -001~-007:0.5M, 1M, 1.5M, 3M, 5M, 7M, 10M;
 -99X:0.XM(<1M); -XXX:XX.XM(>1M)

No.11: 1=STANDARD SCREW NUT WITH NICKEL PLATED
 STAMPED TERMINAL 30u" Au PLATED

No.10: OVERMOLDING:
 0--BLACK TPU OVER-MOLDING
 1--BLACK PVC OVER-MOLDING

No.9: CABLE COLOR:
 1--GREEN RAL6018
 2--TEAL

No.8: CABLE JECKET:
 1--PVC-MODERATE FLEXIBLE
 5--PUR-HIGH-FLEX
 A--TPE- EXTREME HIGH FLEX

No.7: WIRE GUAGE:3--24 AWG
 4--22 AWG

No.6: INTERFACE TYPE:
 5--MALE STRAIGHT TO FEMALE STRAIGHT


No.5: POLES NO.: 4--4 POLES

No.4: APPLICATION TYPE:
 1--SHIELDING INDUSTRIAL ETHERNET CAT5E
 2--UNSHIELDING INDUSTRIAL ETHERNET CAT5E

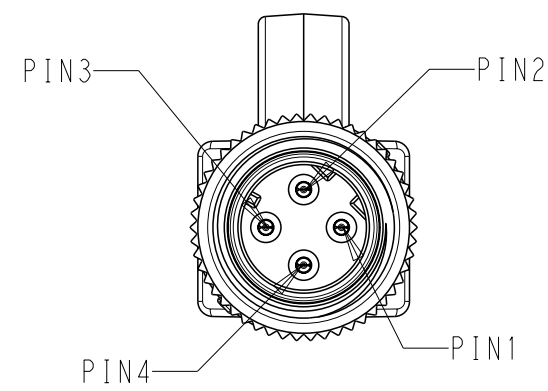
No.3: CODE TYPE: D--D CODE

No.2: A--M12 SERIES

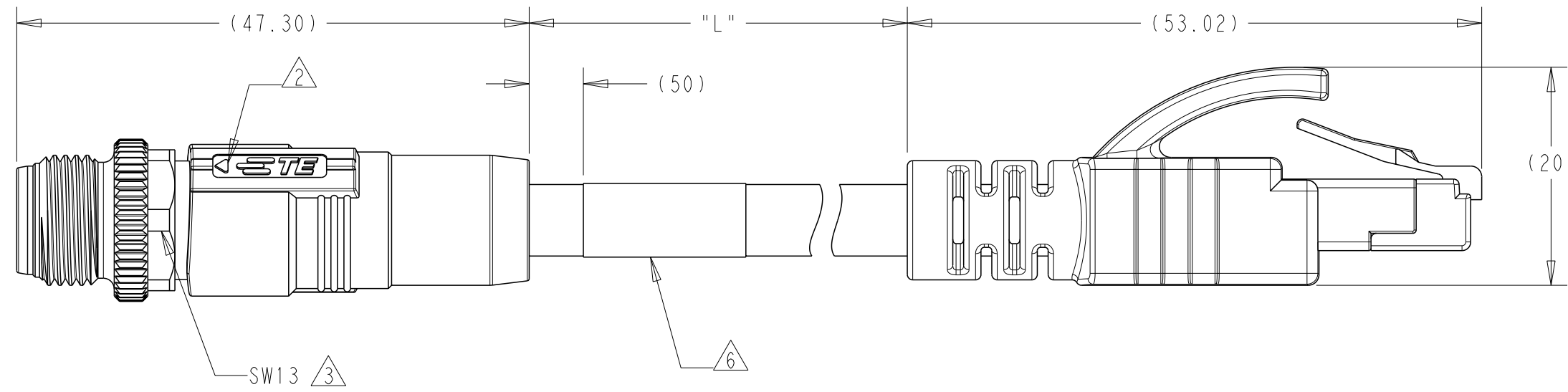
No.1: T--TE BRAND

THIS DRAWING IS A CONTROLLED DOCUMENT.		DWN FENCER YU 22SEP2020	 TE Connectivity	
		CHK CHRIS WANG 22SEP2020		
DIMENSIONS: mm		APVD CHRIS WANG 22SEP2020	NAME M12 D CODE CABLE ASSY, 4P SHIELDED/UNSHIELDED MS TO FS	
TOLERANCES UNLESS OTHERWISE SPECIFIED: 0 PLC ± 1 PLC ± 2 PLC ± 3 PLC ± 4 PLC ± ANGLES ± FINISH		PRODUCT SPEC 108-106140	RESTRICTED TO	
MATERIAL		APPLICATION SPEC 114-137144	SIZE A2	CAGE CODE 00779
		WEIGHT	DRAWING NO G-TADX45XXXX1XXX	
		CUSTOMER DRAWING	SCALE 2:1	SHEET 3 OF 3
			REV A1	

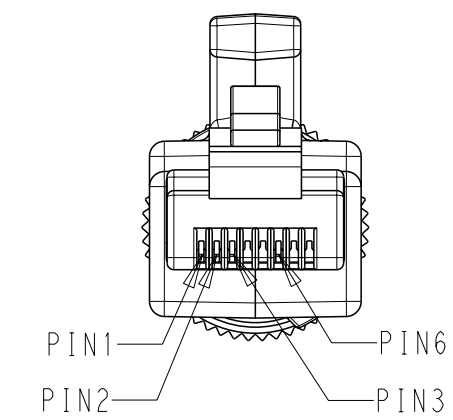
REVISIONS					
P	LTR	DESCRIPTION	DATE	DWN	APVD
A		INITIAL VERSION RELEASE	22SEP2020	F.Y	C.W
A1		PER ECR-21-001399	08FEB2021	F.Y	C.W



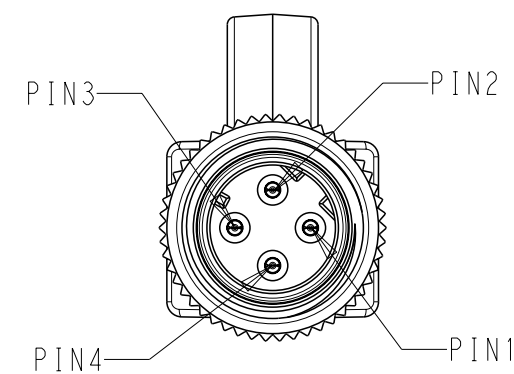
M12 D CODE, MALE PLUG



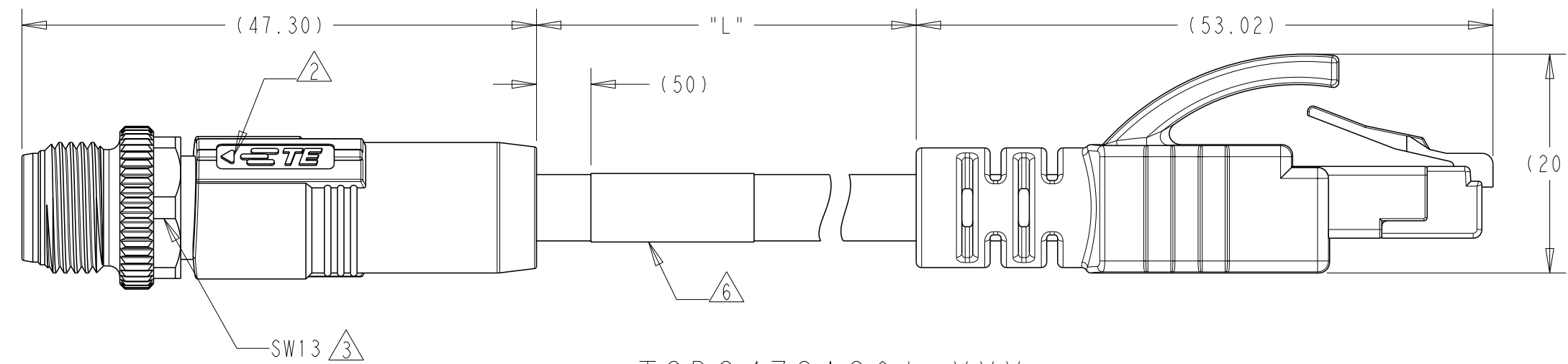
TCD1473A201-XXX



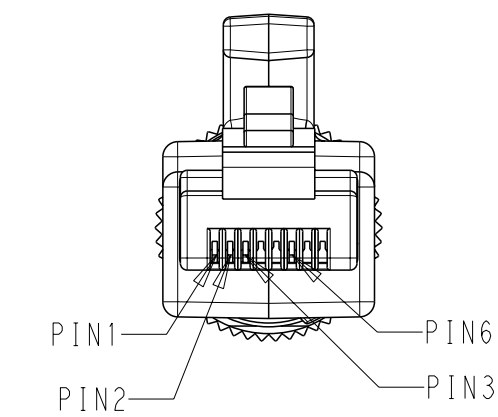
RJ45 PLUG



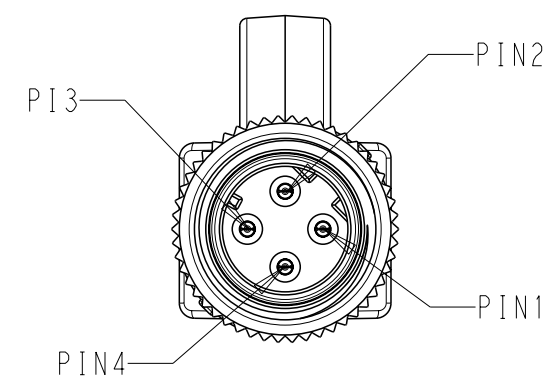
M12 D CODE, MALE PLUG



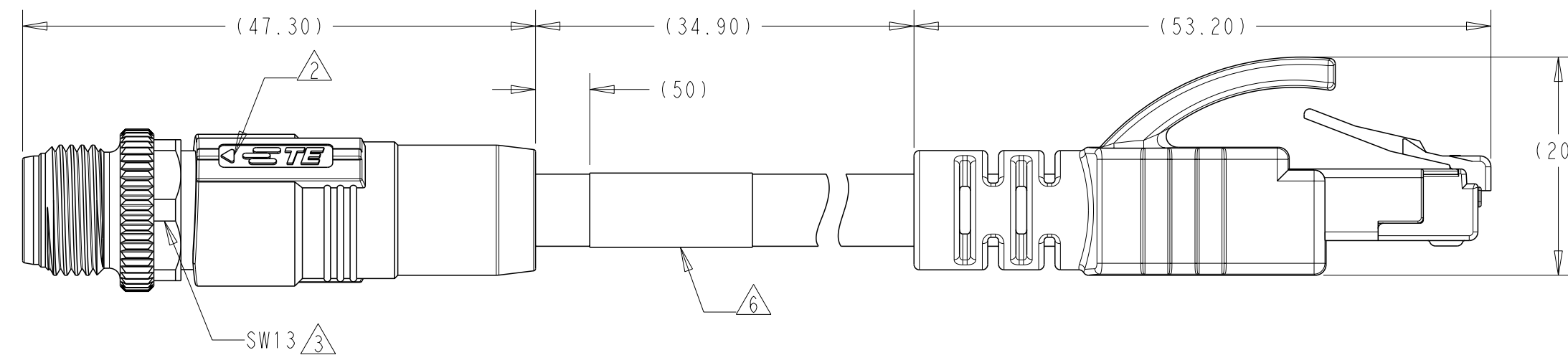
TCD2473A201-XXX



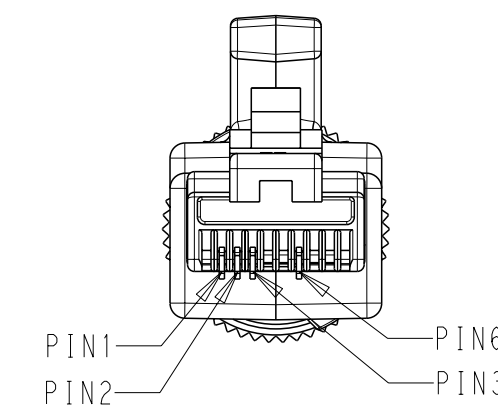
RJ45 PLUG



M12 D CODE, MALE PLUG



TCD14745101-XXX
TCD14741111-XXX



RJ45 PLUG

NOTE:

- 1. TECHNICAL DATA: SEE TABLE 1
- ②. CODE POSITION INDICATOR.
- ③. RECOMMENDED TORQUE 0.6NM
- ④. -*: CABLE LENGTH, FOR EXAMPLE: -0.5M
- 5. CABLE ASSEMBLY TO BE PACKAGED AS PACKAGING SPECIFICATION
- ⑥. LABEL CONTAINS: PN, DATE CODE...
- ⑦. -XXX: FOR CABLE LENGTH, SEE TABLE 2 AND REFER TO LENGTH "L"

注释:

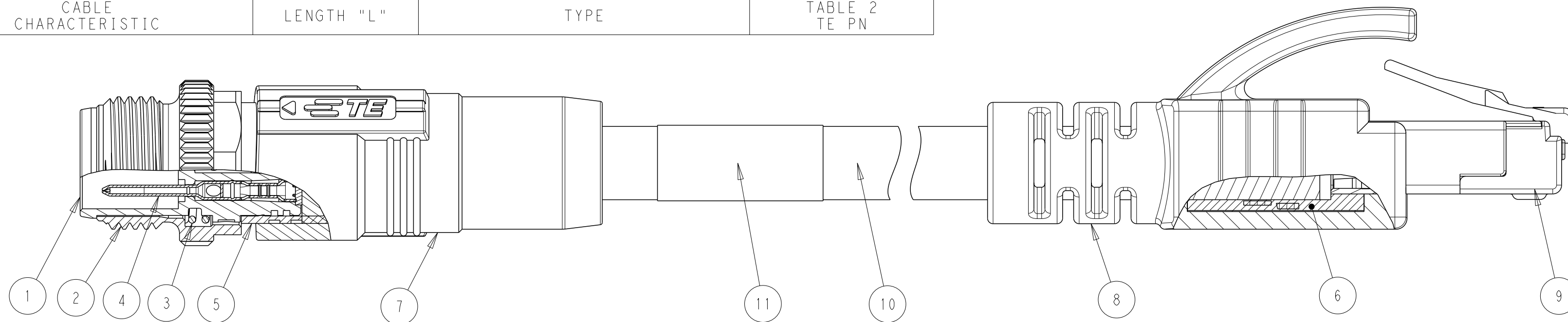
- 1. 技术参数: 参考表 1
- ②. CODE位置指示
- ③. 推荐扭力 0.6NM
- ④. -*: 线缆长度 例如: -0.5M
- 5. 线缆组件按照包装规范包装;
- ⑥. 标签包含: 产品编号, 日期代码...
- ⑦. -XXX: 线缆长度, 参考表2, 参照长度 "L"

THIS DRAWING IS A CONTROLLED DOCUMENT.		DWN FENCER YU 22SEP2020	TE Connectivity	
DIMENSIONS: mm		CHK CHRIS WANG 22SEP2020		
TOLERANCES UNLESS OTHERWISE SPECIFIED:		APVD CHRIS WANG 22SEP2020	NAME M12 D CODE STRAIGHT PLUG 4P TO RJ45 STRAIGHT PLUG	
0 PLC ±-		PRODUCT SPEC 108-137541	SIZE A2	
1 PLC ±-		APPLICATION SPEC 114-137144	CAGE CODE 00779	DRAWING NO C-TCDX47XXXX1XXX
2 PLC ±-		WEIGHT -	RESTRICTED TO -	
3 PLC ±-		CUSTOMER DRAWING	SCALE 2:1	SHEET 1 OF 3
4 PLC ±-			REV A1	
ANGLES ±-				
FINISH				

P	LTR	DESCRIPTION	DATE	DWN	APVD
		SEE SHEET 1			

CABLE CHARACTERISTIC	LENGTH "L"	TYPE	TABLE 2 TE PN
INDUSTRIAL ETHERNET CAT5E UNSHIELDED TPE CABLE, TEAL: WIRES: 2PRX24AWG WIRE COLOR: PAIR1-WHITE/ORANGE PAIR2-WHITE/GREEN OD: APPROX. 6.10MM TEMPERATURE RATING: 80°C UL OPERATING TEMP RATING: -40°C To +80°C	LENGTH STANDARD: -001: 0.5M -002: 1.0M -003: 1.5M -004: 3.0M -005: 5.0M -006: 7.0M -007: 10.0M	M12D4-MS-RJ-TPE-24UNSH-TEAL-**-** ⚠	TCD2473A201-XXX ⚠
INDUSTRIAL ETHERNET CAT5E SHIELDED TPE CABLE, TEAL: WIRES: 2PRX24AWG WIRE COLOR: PAIR1-WHITE/ORANGE PAIR2-WHITE/GREEN OD: APPROX. 6.60MM TEMPERATURE RATING: 80°C UL OPERATING TEMP RATING: -40°C To +80°C	CUSTOMIZATION: -99X: 0.XM (<1M) (-993: 0.3M) -XXX: XX.XM (>1M) (-155: 15.5M)	M12D4-MS-RJ-TPE-24SH-TEAL-**-** ⚠	TCD1473A201-XXX ⚠
INDUSTRIAL ETHERNET PROFINET TYPE B CAT5E SHIELDED PVC CABLE, GREEN: WIRES: 1X4X22AWG WIRE COLOR: WHITE/YELLOW/BLUE/ORANGE OD: APPROX. 6.5MM TEMPERATURE RATING: 80°C UL OPERATING TEMP RATING: -40°C To +80°C	TOLERANCE: 0-1M: ±0.05M 1-3M: ±0.1M >3M: ±1.5%	M12D4-MS-RJ-PVC-22SH-TYPE B GREEN-**-** ⚠	TCD14741111-XXX ⚠
INDUSTRIAL ETHERNET PROFINET TYPE C CAT5E SHIELDED PUR CABLE, GREEN: WIRES: 1X4X22AWG WIRE COLOR: WHITE/YELLOW/BLUE/ORANGE OD: APPROX. 6.65MM TEMPERATURE RATING: 80°C UL OPERATING TEMP RATING: -30°C To +70°C		M12D4-MS-RJ-PUR-22SH-TYPE C GREEN-**-** ⚠	TCD14745101-XXX ⚠

NOTES 备注	MATERIAL 材质	DESCRIPTION 描述	ITEM 序号	TCD14745101-XXX	TCD14741111-XXX	TCD1473A201-XXX	TCD2473A201-XXX
		LABEL	11	1	1	1	1
	PUR/PVC/TPE	CABLE	10	1	1	1	1
GOLD PLATED	-	RJ45 PLUG	9	1	1	1	1
BLACK	TPU/PVC	OUTER OVER MOLDING FOR RJ45 PLUG	8	1	1	1	1
BLACK	TPU/PVC	OUTER OVER-MOLDING FOR M12 D CODE	7	1	1	1	1
-	PE	INNER OVER MOLDING FOR RJ45 PLUG	6	1	1	1	1
NICKEL PLATED	COPPER ALLOY	MALE STRAIGHT SHELL	5	1	1	1	-
GOLD PLATED	COPPER ALLOY	MALE CONTACT	4	4	4	4	4
-	SUS	SPRING	3	1	1	1	1
NICKEL PLATED	COPPER ALLOY	M12, MALE NUT	2	1	1	1	1
BLACK	NYLON	M12, MALE HSG, D CODE, 4P	1	1	1	1	1



PIN ARRANGEMENT

SHIELDED		UNSHIELDED
TCD14745101-XXX TCD14741111-XXX: USE PUR AND PVC SHIELDED CABLE	TCD1473A201-XXX USE TPE SHIELDED CABLE	TCD2473A201-XXX USE TPE UNSHIELDED CABLE
<p>CIRCUIT DIAGRAM</p> <p>M12 RJ45</p> <p>SHIELD</p>	<p>CIRCUIT DIAGRAM</p> <p>M12 RJ45</p> <p>SHIELD</p>	<p>CIRCUIT DIAGRAM</p> <p>M12 RJ45</p>

TABLE 1 TECHNICAL DATA	
RATED VOLTAGE	30V
RATED CURRENT	0.5A
POLLUTION DEGREE	3
OVERVOLTAGE CATEGORY	II
MATERIAL GROUP	II
INSULATION RESISTANCE	100MΩ
DEGREE OF PROTECTION(M12)	IP67
DEGREE OF PROTECTION(RJ45)	IP20
OPERATION TEMPERATURE	M12 D CODE: -40°C~85°C
	RJ45 PLUG: -25°C~60°C
	CABLE REFER TO TABLE 2

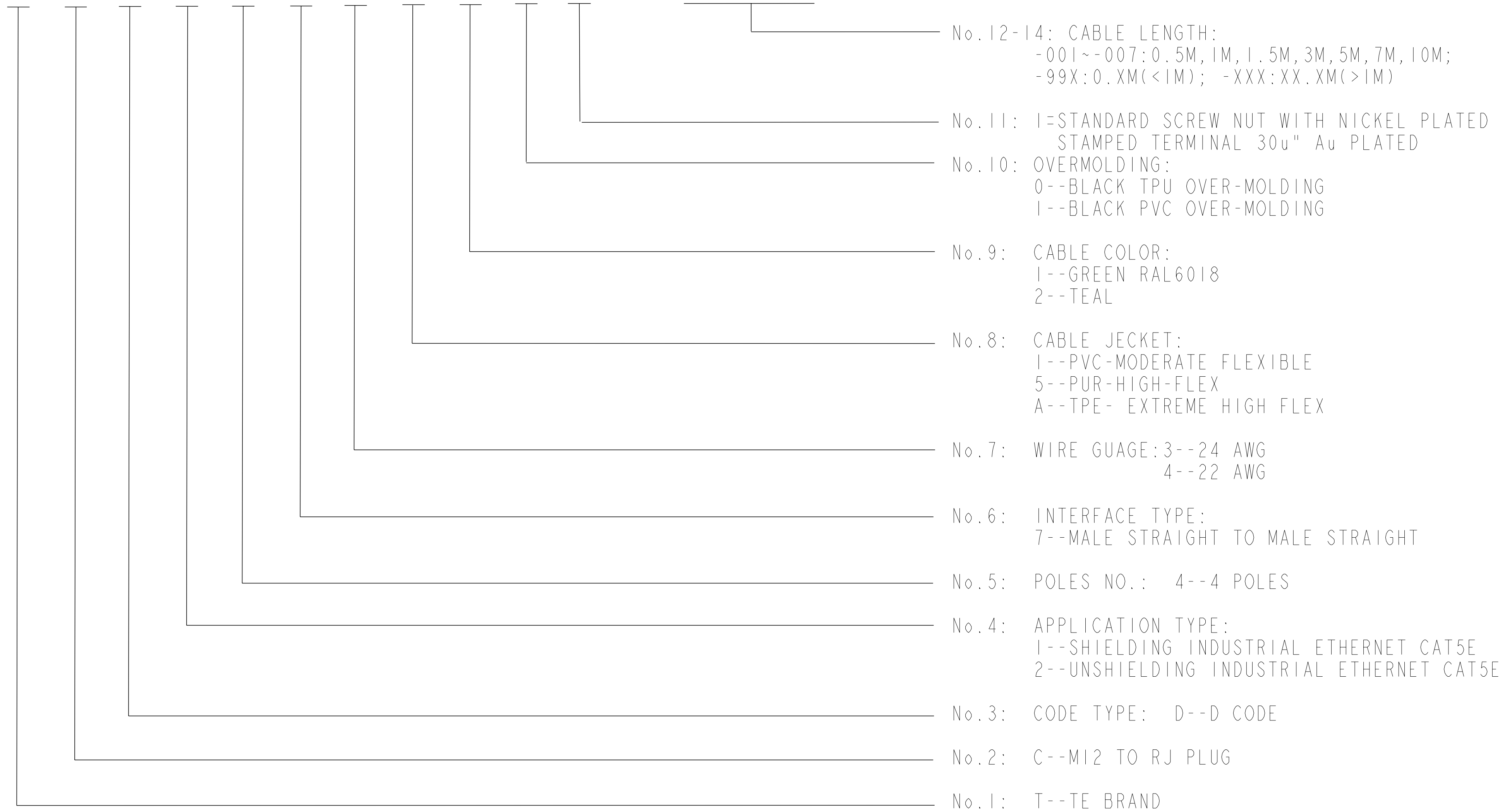
THIS DRAWING IS A CONTROLLED DOCUMENT.

DIMENSIONS: mm	TOLERANCES UNLESS OTHERWISE SPECIFIED: 0 PLC ± 1 PLC ± 2 PLC ± 3 PLC ± 4 PLC ± ANGLES ± FINISH	DWN: FENCER YU 22SEP2020 CHK: CHRIS WANG 22SEP2020 APVD: CHRIS WANG 22SEP2020	TE Connectivity
MATERIAL: -		PRODUCT SPEC: 108-137541 APPLICATION SPEC: 114-137144	NAME: M12 D CODE STRAIGHT PLUG 4P TO RJ45 STRAIGHT PLUG
		WEIGHT: -	SIZE: A2 CAGE CODE: 00779 DRAWING NO: C=TCDX47XXXX1XXX RESTRICTED TO: -
		CUSTOMER DRAWING	SCALE: 2:1 SHEET: 2 OF 3 REV: A1

P	LTR	DESCRIPTION	DATE	DWN	APVD
		SEE SHEET 1			

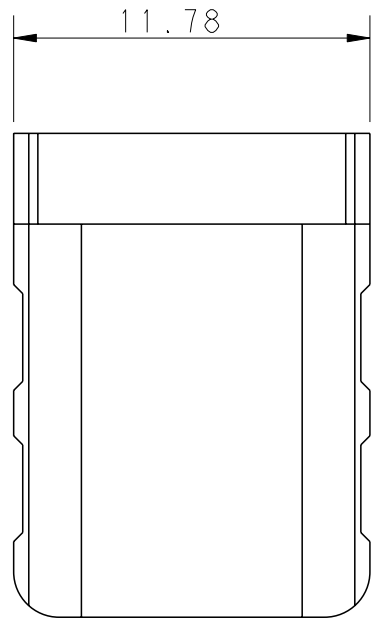
PRODUCT CODE:

T C D X X X X X X X - X X X



- No. 12-14: CABLE LENGTH:
-001~-007: 0.5M, 1M, 1.5M, 3M, 5M, 7M, 10M;
-99X: 0.XM(<1M); -XXX: XX.XM(>1M)
- No. 11: 1=STANDARD SCREW NUT WITH NICKEL PLATED STAMPED TERMINAL 30u" Au PLATED
- No. 10: OVERMOLDING:
0--BLACK TPU OVER-MOLDING
1--BLACK PVC OVER-MOLDING
- No. 9: CABLE COLOR:
1--GREEN RAL6018
2--TEAL
- No. 8: CABLE JACKET:
1--PVC-MODERATE FLEXIBLE
5--PUR-HIGH-FLEX
A--TPE- EXTREME HIGH FLEX
- No. 7: WIRE GAUGE: 3--24 AWG
4--22 AWG
- No. 6: INTERFACE TYPE:
7--MALE STRAIGHT TO MALE STRAIGHT
- No. 5: POLES NO.: 4--4 POLES
- No. 4: APPLICATION TYPE:
1--SHIELDING INDUSTRIAL ETHERNET CAT5E
2--UNSHIELDING INDUSTRIAL ETHERNET CAT5E
- No. 3: CODE TYPE: D--D CODE
- No. 2: C--M12 TO RJ PLUG
- No. 1: T--TE BRAND

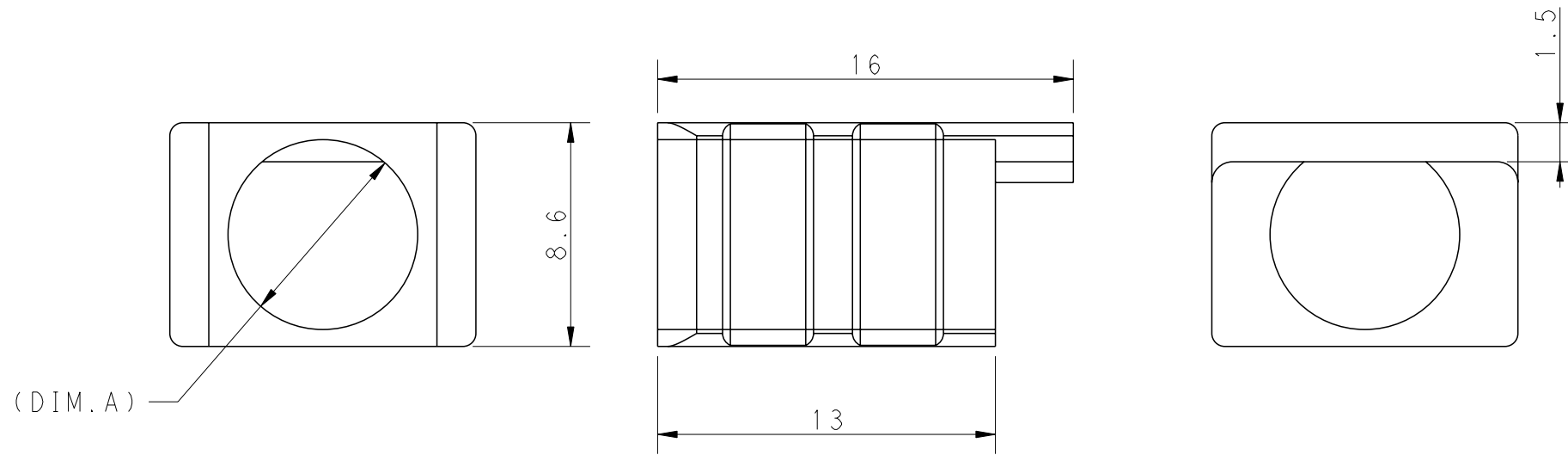
THIS DRAWING IS A CONTROLLED DOCUMENT.		DWN FENCER YU 22SEP2020	TE Connectivity	
DIMENSIONS: mm		CHK CHRIS WANG 22SEP2020		
TOLERANCES UNLESS OTHERWISE SPECIFIED:		APVD CHRIS WANG 22SEP2020	NAME M12 D CODE STRAIGHT PLUG 4P TO RJ45 STRAIGHT PLUG	
0 PLC ± 1 PLC ± 2 PLC ± 3 PLC ± 4 PLC ± ANGLES ± FINISH -		PRODUCT SPEC 108-137541	RESTRICTED TO	
MATERIAL		APPLICATION SPEC 114-137144	SIZE A2	CAGE CODE 00779
		WEIGHT	DRAWING NO C=TCDX47XXXX1XXX	
		CUSTOMER DRAWING	SCALE 2:1	SHEET 3 OF 3
			REV A1	



2376565-7	Ø6.10
2376565-6	Ø6.50
2376565-5	Ø6.60
2376565-4	Ø6.65
2376565-3	Ø6.70
2376565-2	Ø7.25
2376565-1	Ø7.45
PART NUMBER	DIM. A

NOTE:

MATERIAL: PE-RH200, NC501, NATURAL COLOR,

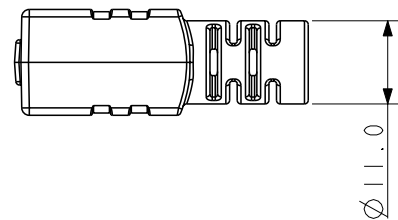
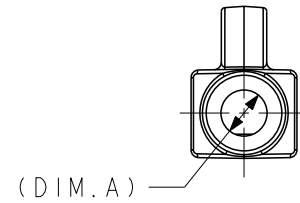
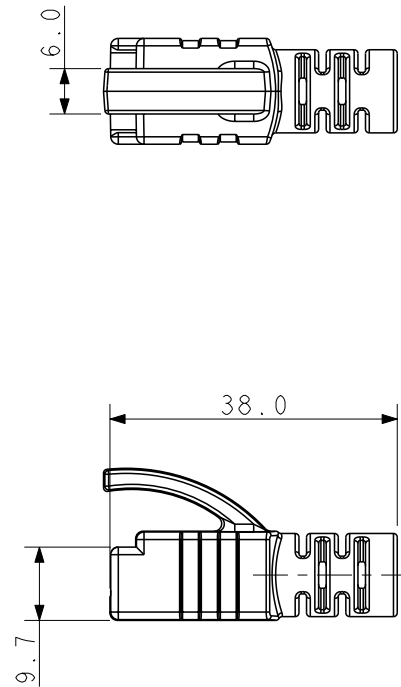
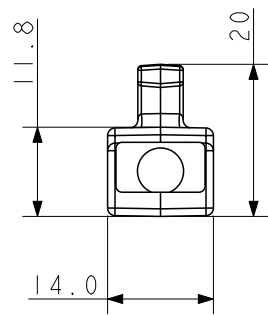


THIS INFORMATION IS CONFIDENTIAL AND PROPRIETARY TO TYCO ELECTRONICS CORPORATION AND ITS WORLDWIDE SUBSIDIARIES AND AFFILIATES (TE). IT MAY NOT BE DISCLOSED TO ANYONE, OTHER THAN TE PERSONNEL, WITHOUT AUTHORIZATION FROM TE (www.te.com).

A	INITIAL VERSION RELEASE	20AUG2020	F. Y	C. W
LTR	REVISION RECORD	DATE	DWN	APVD

DIMENSIONS:	TOLERANCES UNLESS OTHERWISE SPECIFIED:
mm	
	0 PLC ±0.5
	1 PLC ±0.3
	2 PLC ±0.15
	3 PLC ±
	4 PLC ±
ANGLES±	-
SURFACE TEXTURE	

DWN	20AUG2020	MATERIAL	SEE NOTE	HEAT TREAT	-
CHK	20AUG2020	TE Connectivity			
APVD	20AUG2020				
NAME	RJ45 PLUG INNER OVER-MOLDING				
SCALE	4:1	SIZE	A3	DRAWING NO	2376565
SHEET	1	OF	1	REV	A



NOTE:

1 MATERIAL:
TPU BASF 1195 A 10, NATURAL+TONER(TPU COLORANT) CLARIANT RENOL
BLACK GP93447087 MIXED TO BE BLACK RAL9011.

2 MATERIAL: PVC MEGA MJ-00168, GRAPHITE BLACK RAL9011,

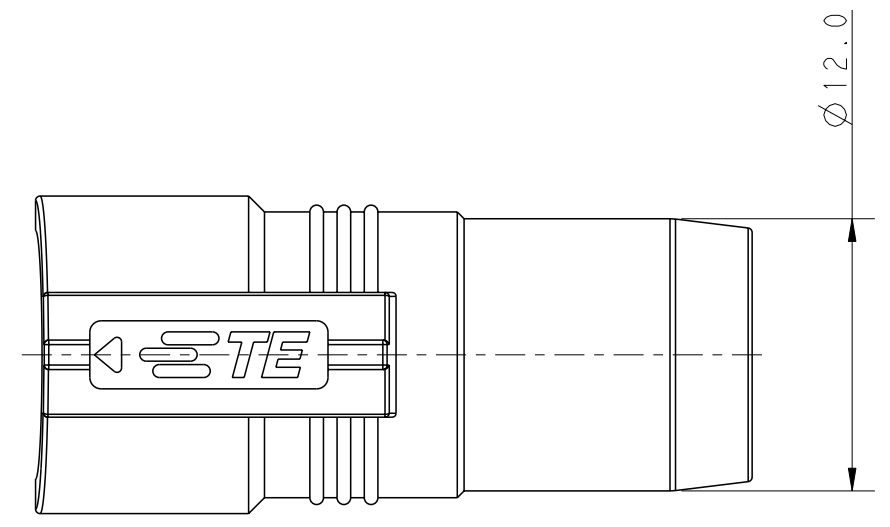
2376566-7	Ø6.10	1
2376566-6	Ø6.50	2
2376566-5	Ø6.60	1
2376566-4	Ø6.65	2
2376566-3	Ø6.70	2
2376566-2	Ø7.25	1
2376566-1	Ø7.45	1
PART NUMBER	DIM.A	MATERIAL

THIS INFORMATION IS CONFIDENTIAL AND PROPRIETARY TO TYCO ELECTRONICS CORPORATION AND ITS WORLDWIDE SUBSIDIARIES AND AFFILIATES (TE). IT MAY NOT BE DISCLOSED TO ANYONE, OTHER THAN TE PERSONNEL, WITHOUT AUTHORIZATION FROM TE (www.te.com).

LTR	REVISION RECORD	DATE	DWN	APVD
A1	PER ECR-21-001399	03FEB2021	F.Y	C.W
A	INITIAL VERSION RELEASE	20AUG2020	F.Y	C.W

DIMENSIONS: mm	TOLERANCES UNLESS OTHERWISE SPECIFIED:
	0 PLC ±0.5
	1 PLC ±0.3
	2 PLC ±0.2
	3 PLC ±
	4 PLC ±
ANGLES±	-
SURFACE TEXTURE	

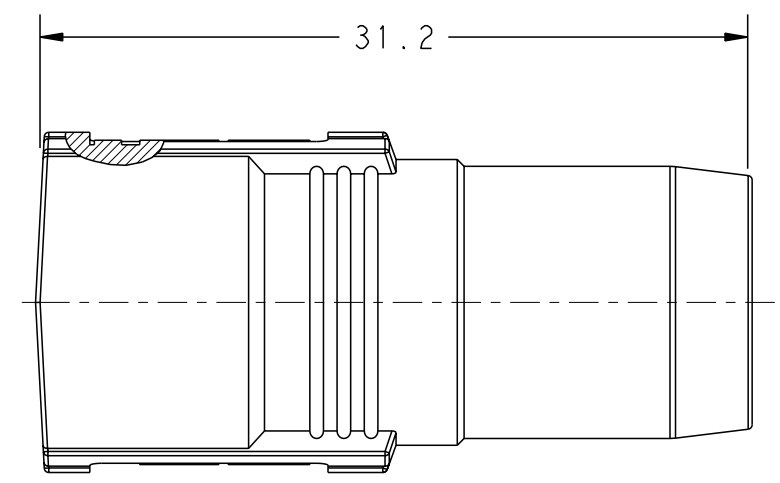
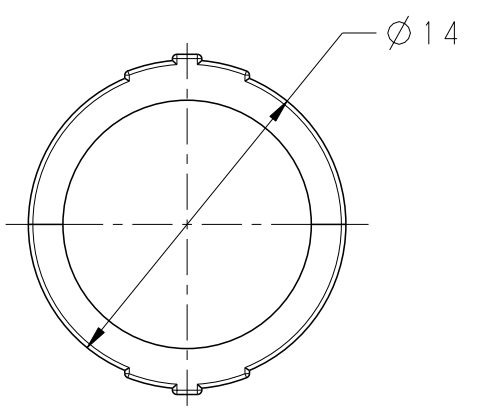
DWN	20AUG2020	MATERIAL	SEE NOTE	HEAT TREAT	-
CHK	20AUG2020	TE Connectivity			
APVD	20AUG2020				
NAME	RJ45 OUTER OVER-MOLDING				
SCALE	1:1	SIZE	A3	DRAWING NO	2376566
SHEET		1	OF	1	REV
					A1



NOTE:

① MATERIAL:
TPU BASF 1195 A 10,NATURAL+TONER(TPU COLORANT)
CLARIANT RENOL BLACK GP93447087 MIXED TO BE BLACK RAL9011.

② MATERIAL:PVC MEGA MJ-00168,GRAPHITE BLACK RAL9011,



②	M12带线带屏蔽直型护套主体(TE)	P4160602001-000
①	M12带线带屏蔽直型护套主体(TE)	P4160600001-000
MATERIAL 材料	DESCRIPTION 描述	PART NUMBER 料号

THIS INFORMATION IS CONFIDENTIAL AND PROPRIETARY TO TYCO ELECTRONICS CORPORATION AND ITS WORLDWIDE SUBSIDIARIES AND AFFILIATES (TE). IT MAY NOT BE DISCLOSED TO ANYONE, OTHER THAN TE PERSONNEL, WITHOUT AUTHORIZATION FROM TE (www.te.com).

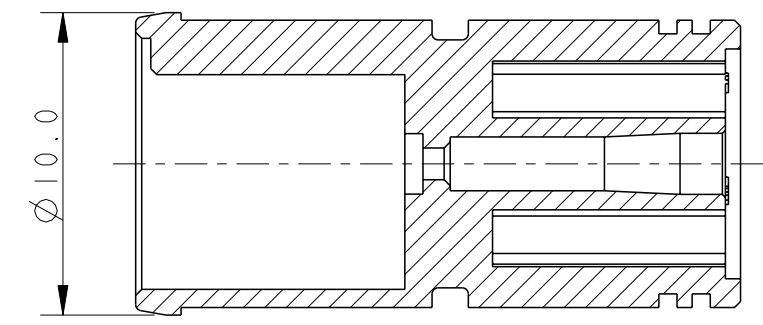
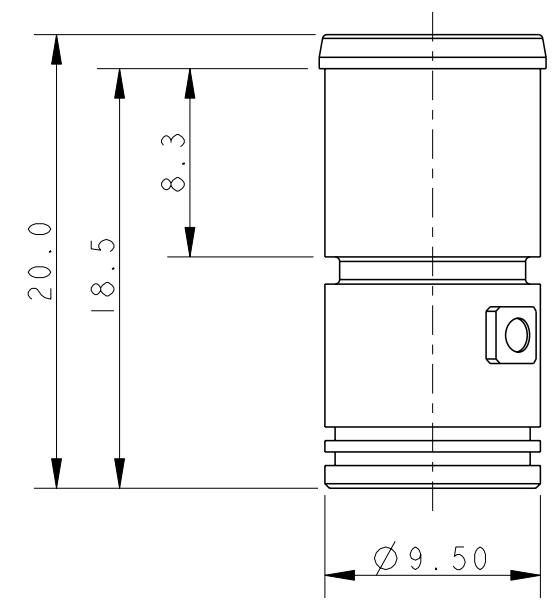
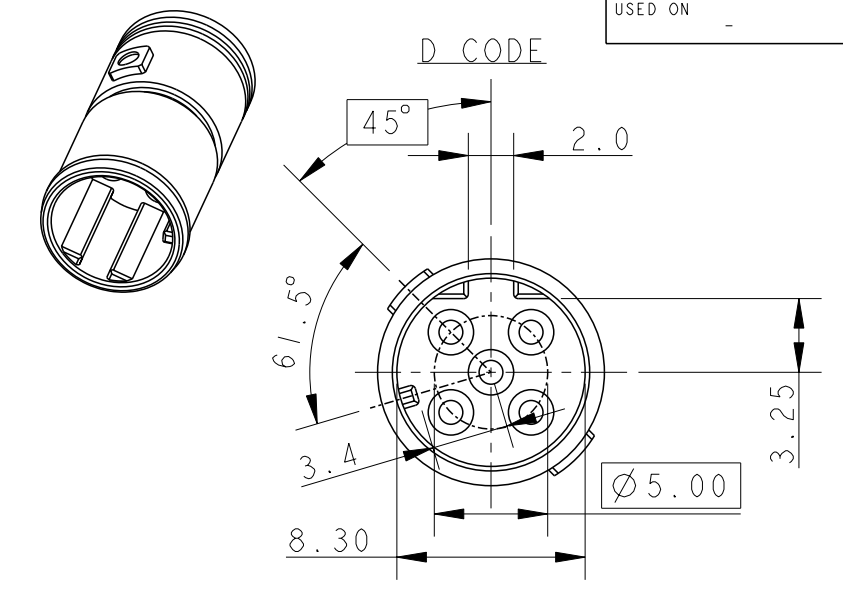
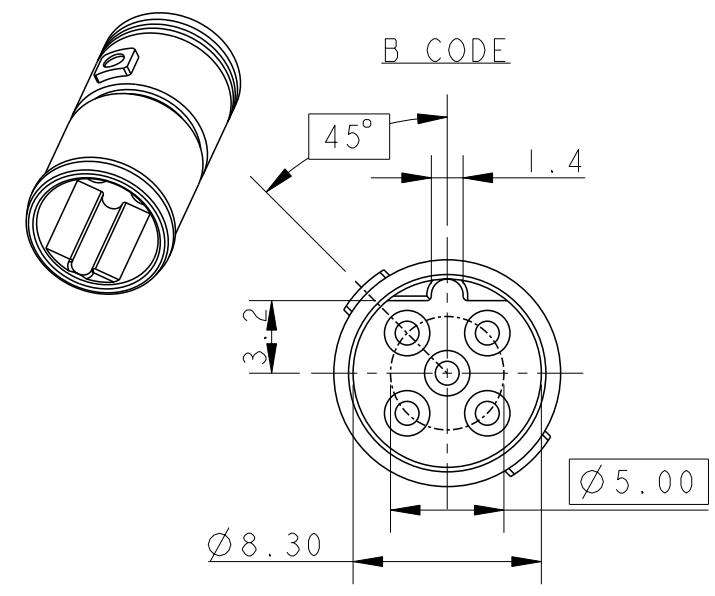
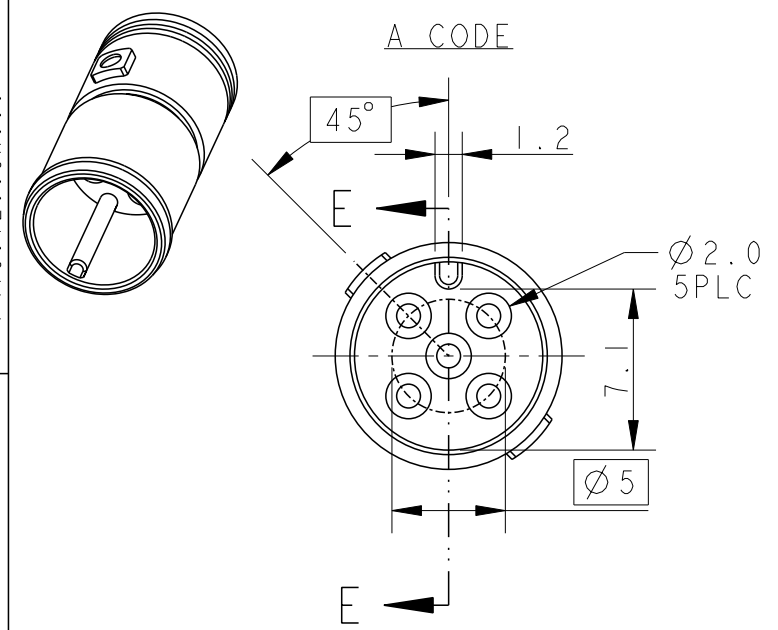
A	INITIAL RELEASE	14AUG2019	A.Z	C.W
LTR	REVISION RECORD	DATE	DWN	APVD

DIMENSIONS: mm	TOLERANCES UNLESS OTHERWISE SPECIFIED:
	0 PLC ±1 1 PLC ±1 2 PLC ±0.50 3 PLC ± 4 PLC ±
ANGLES±	-
SURFACE TEXTURE	

DWN ALEX ZHANG	26DEC2018	MATERIAL -	HEAT TREAT -
CHK HART HE	26DEC2018	TE Connectivity	
APVD CHRIS WANG	26DEC2018		
NAME M12 STRAIGHT, SHIELED OVER-MOLDING			
SCALE 3:1	SIZE A3	DRAWING NO P416060X001000	SHEET 1 OF 1
			REV A

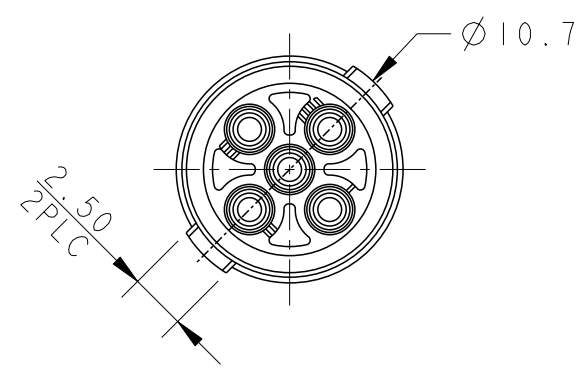
DWG NO P415012605X000
 THIS DRAWING IS A CONTROLLED DOCUMENT

USED ON _____



NOTE:
 1. MATERIAL PA66, ULTRAMID A3X2G5 BK23187, 25%GF, UL94-V0

注释:
 1. 材料PN: PA66 ULTRAMID A3X2G5 BK23187, 25%GF, UL94-V0



SECTION E-E
 SCALE 4:1

PART VERSION:A

TYPE	PN	DESCRIPTION
D CODE	P4150126054-000	M12带线D型公端子
B CODE	P4150126052-000	M12带线B型公端子
A CODE	P4150126051-000	M12带线A型公端子

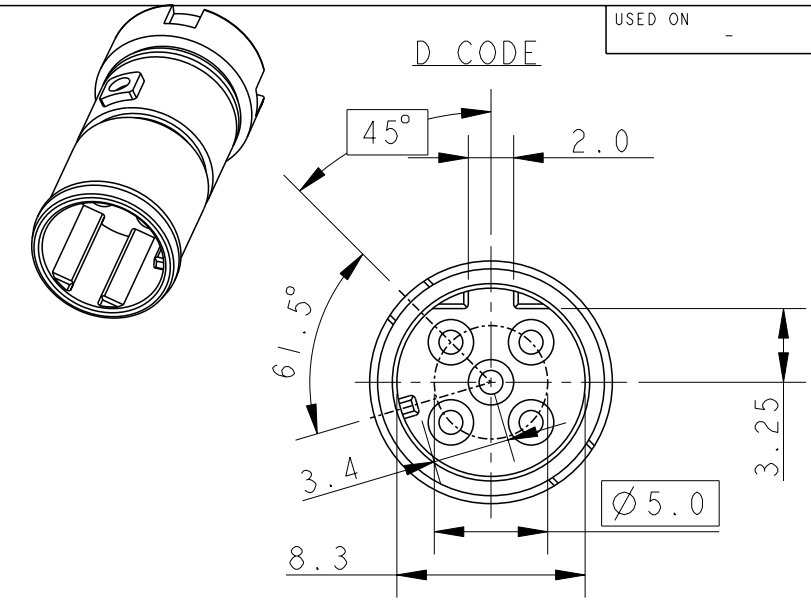
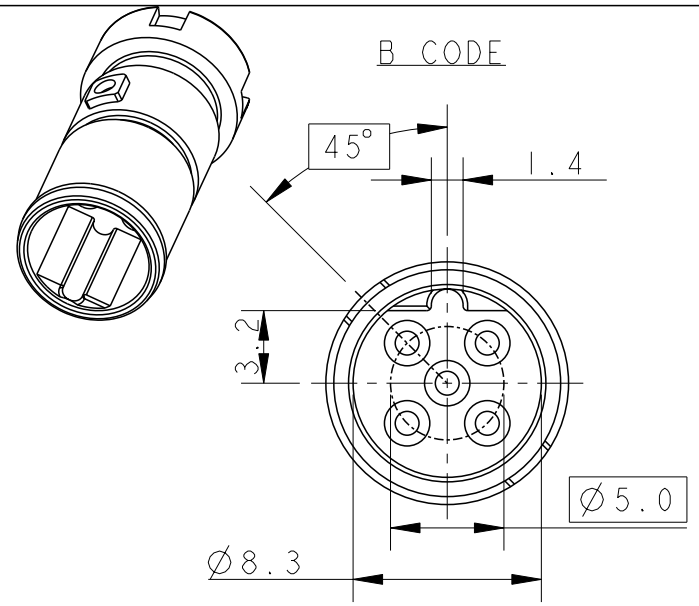
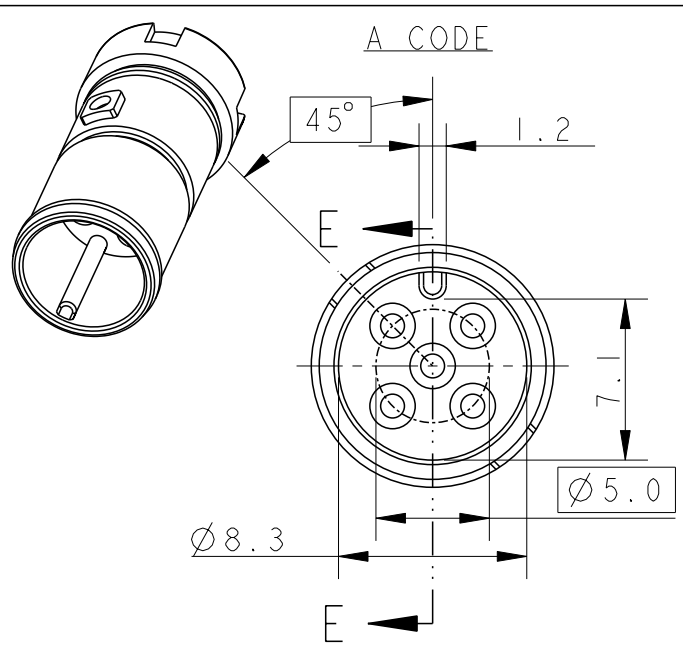
B2	ECR-19-012792, ADD NEW PN	15OCT2019	B. P	C. W
B1	ECR-19-000071, ADD NEW PN	02JAN2019	A. Z	C. W
B	ECR-17-012670, ADD NEW PN	14MAR2018	G. W	C. W
LTR	REVISION RECORD	DATE	DWN	APVD

DIMENSIONS:		TOLERANCES UNLESS OTHERWISE SPECIFIED:	
mm		0 PLC	±0.2
		1 PLC	±0.1
		2 PLC	±0.05
		3 PLC	±
		4 PLC	±
ANGLES±			
SURFACE TEXTURE			

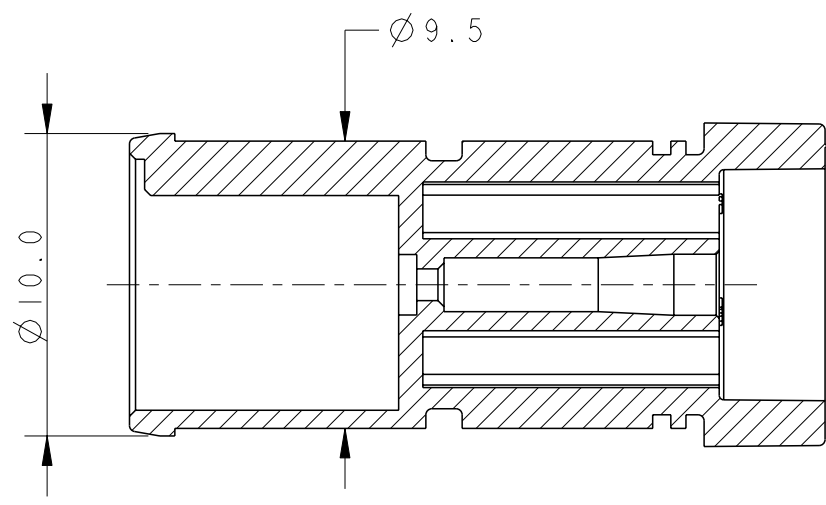
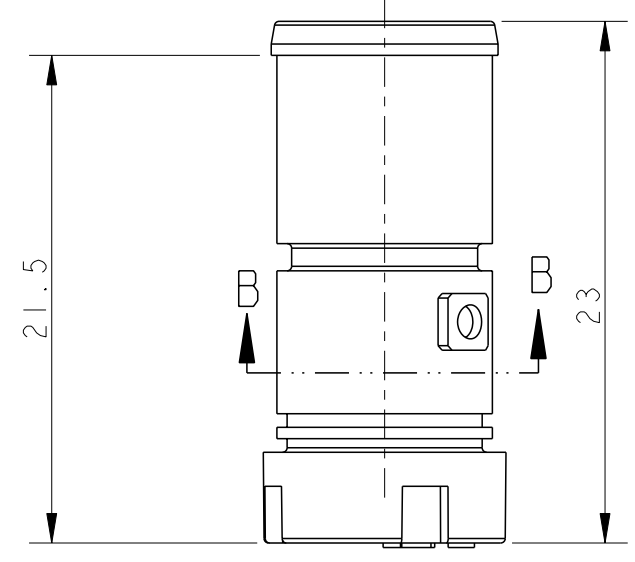
DWN	15OCT2019	MATERIAL	-	HEAT TREAT	-
HAO WNAG	19AUG2015	TE Connectivity			
CHK	KOBBY ZHAO				
APVD	XIANG XU				
NAME M12, MALE, HOUSING					
SCALE	3:1	SIZE	A3	DRAWING NO	P415012605X000
				SHEET	1 OF 4
				REV	B2

THIS INFORMATION IS CONFIDENTIAL AND PROPRIETARY TO TYCO ELECTRONICS CORPORATION AND ITS WORLDWIDE SUBSIDIARIES AND AFFILIATES (TE). IT MAY NOT BE DISCLOSED TO ANYONE, OTHER THAN TE PERSONNEL, WITHOUT AUTHORIZATION FROM TE (www.te.com).

DWG NO P415012605X000
 THIS DRAWING IS A CONTROLLED DOCUMENT

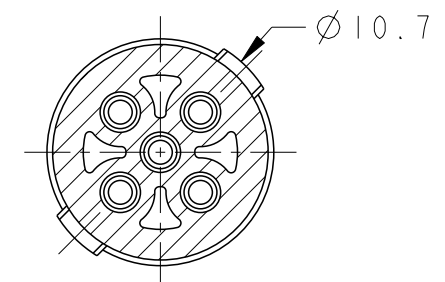
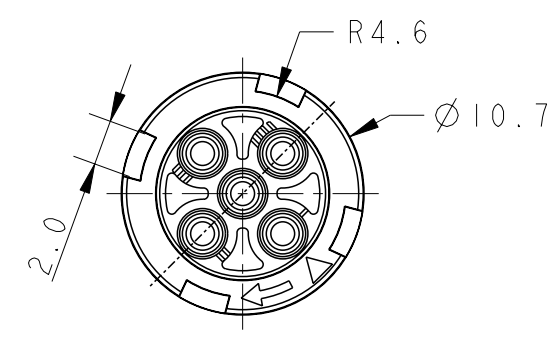


USED ON -



NOTE:
 1. MATERIAL PA66, ULTRAMID A3X2G5 BK23187, 25%GF, UL94-V0

注释:
 1. 材料PN: PA66 ULTRAMID A3X2G5 BK23187, 25%GF, UL94-V0



SECTION E-E
 SCALE 4:1

SECTION B-B

PART VERSION: A

D CODE	P4150126054-001	M12带线D型加长公端子
B CODE	P4150126052-001	M12带线B型加长公端子
A CODE	P4150126051-001	M12带线A型加长公端子
TYPE	PN	DESCRIPTION

LTR	REVISION RECORD	DATE	DWN	APVD
-	SEE SHEET 1	-	-	-

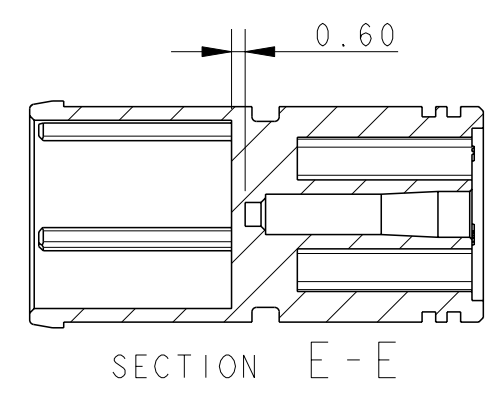
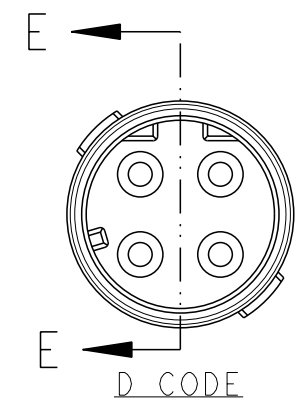
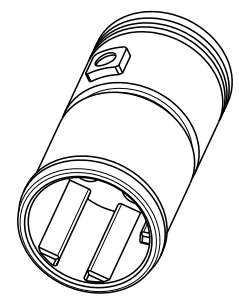
DIMENSIONS: mm		TOLERANCES UNLESS OTHERWISE SPECIFIED:	
	0 PLC ±0.2		1 PLC ±0.1
	2 PLC ±0.05		3 PLC ±
	4 PLC ±		4 PLC ±
ANGLES±		-	
SURFACE TEXTURE			

DWN	HAO WNAG	15OCT2019	MATERIAL	-	HEAT TREAT	-					
CHK	KOBBY ZHAO	19AUG2015	TE Connectivity								
APVD	XIANG XU	19AUG2015									
NAME M12, MALE, HOUSING											
SCALE	3:1	SIZE	A3	DRAWING NO	P415012605X000	SHEET	2	OF	4	REV	B2

THIS INFORMATION IS CONFIDENTIAL AND PROPRIETARY TO TYCO ELECTRONICS CORPORATION AND ITS WORLDWIDE SUBSIDIARIES AND AFFILIATES (TE). IT MAY NOT BE DISCLOSED TO ANYONE, OTHER THAN TE PERSONNEL, WITHOUT AUTHORIZATION FROM TE (www.te.com).

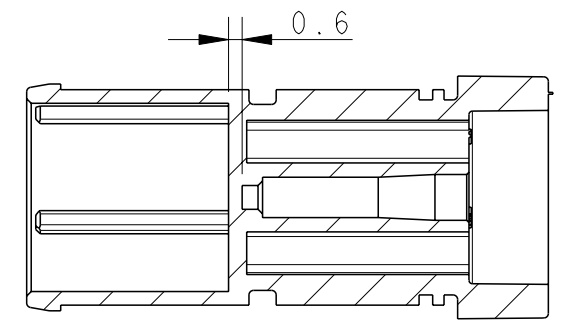
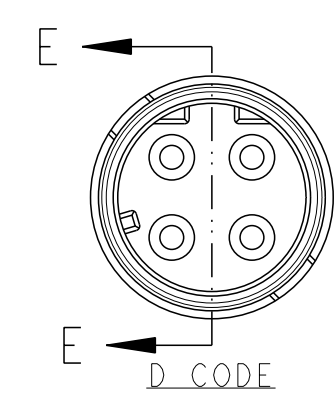
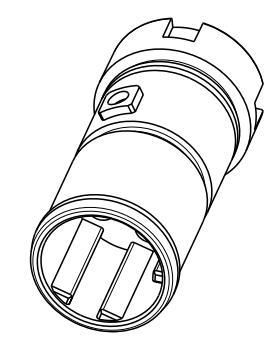
USED ON -

DWG NO P415012605X000
THIS DRAWING IS A CONTROLLED DOCUMENT



P4150126044-000 AS SHOWN
OTHER DIMS SEE SHEET 1

D CODE	P4150126044-000	B	M12带线D型公端子(4PIN)	SAME AS P4150126054-000 BUT WITH CENTRAL HOLE BLOCKED
TYPE	PN	PN VERSION	DESCRIPTION	COMMENT



P4150126044-001 AS SHOWN
OTHER DIMS SEE SHEET 2

D CODE	P4150126044-001	B	M12带线D型加长公端子(4PIN)	SAME AS P4150126054-001 BUT WITH CENTRAL HOLE BLOCKED
TYPE	PN	PN VERSION	DESCRIPTION	COMMENT

THIS INFORMATION IS CONFIDENTIAL AND PROPRIETARY TO TYCO ELECTRONICS CORPORATION AND ITS WORLDWIDE SUBSIDIARIES AND AFFILIATES (TE). IT MAY NOT BE DISCLOSED TO ANYONE, OTHER THAN TE PERSONNEL, WITHOUT AUTHORIZATION FROM TE (www.te.com).

-	SEE SHEET 1	-	-	-
LTR	REVISION RECORD	DATE	DWN	APVD

DIMENSIONS:
mm

ANGLES ± -

SURFACE TEXTURE

TOLERANCES UNLESS OTHERWISE SPECIFIED:

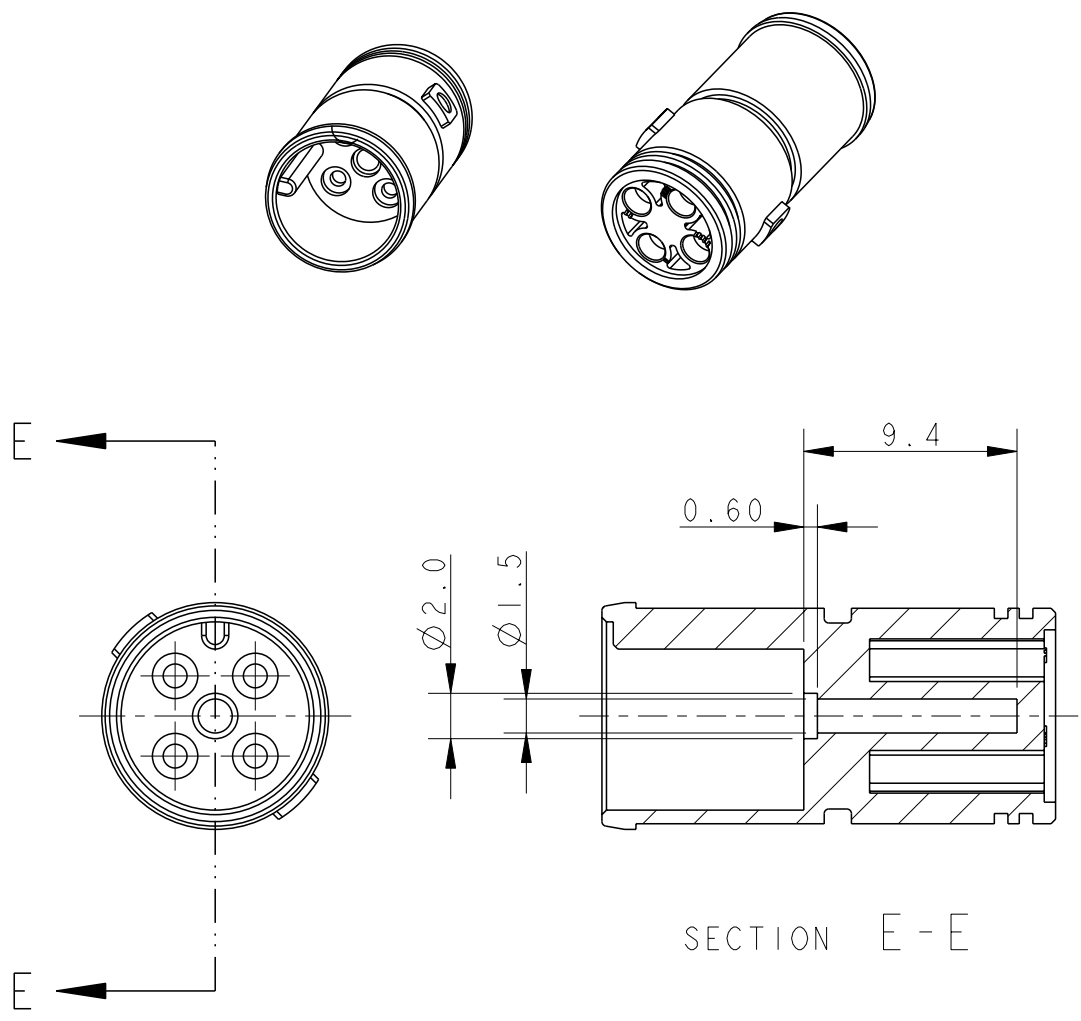
0 PLC	±0.2
1 PLC	±0.1
2 PLC	±0.05
3 PLC	±
4 PLC	±

DWN	HAO WNAG	15OCT2019	MATERIAL	-	HEAT TREAT	-					
CHK	KOBBY ZHAO	19AUG2015	STE TE Connectivity								
APVD	XIANG XU	19AUG2015									
NAME M12, MALE, HOUSING											
SCALE	3:1	SIZE	A3	DRAWING NO	P415012605X000	SHEET	3	OF	4	REV	B2

USED ON -

DWG NO P415012605X000

THIS DRAWING IS A CONTROLLED DOCUMENT

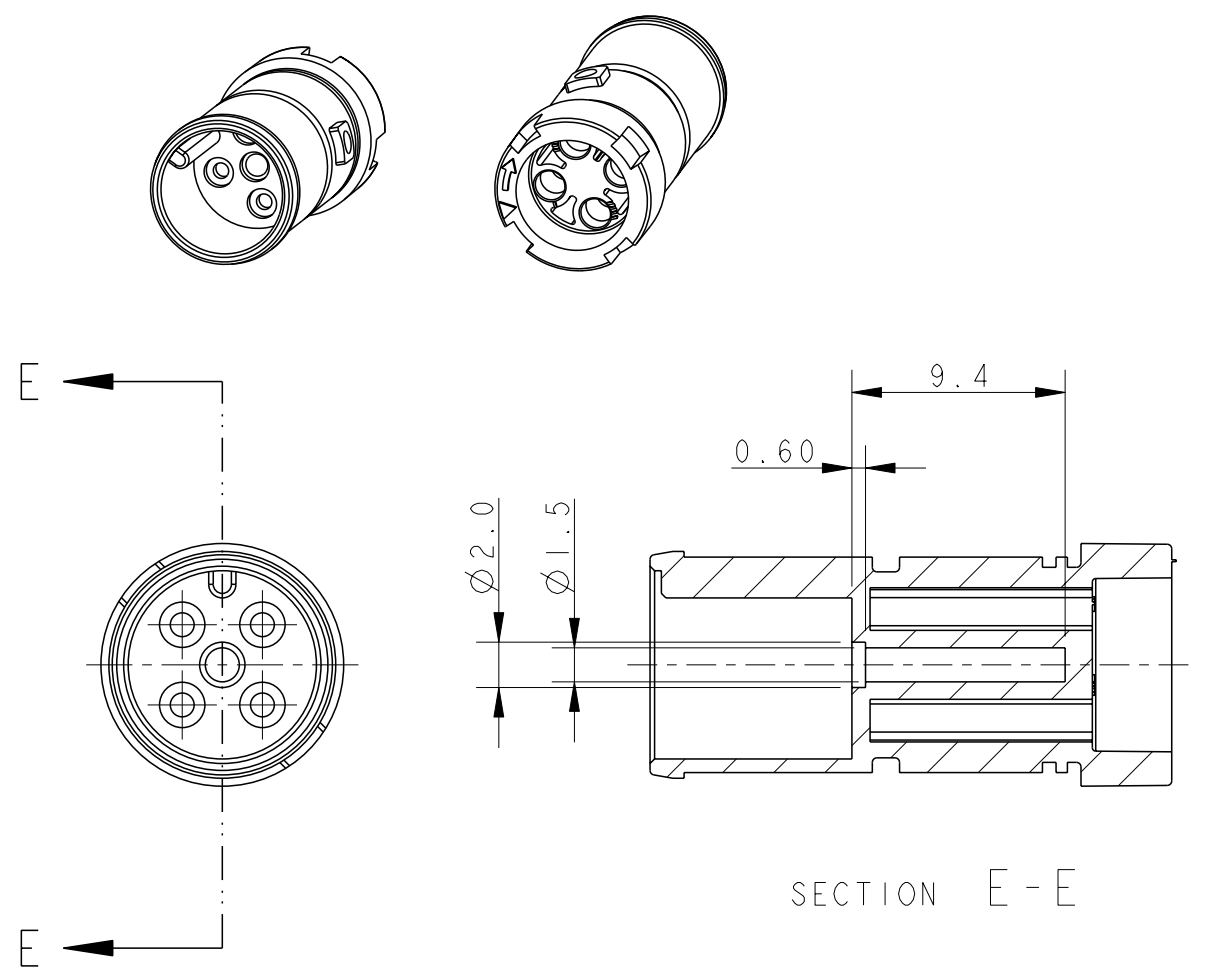


A CODE

SECTION E - E

P4150126041-000 AS SHOWN
OTHER DIMS SEE SHEET 1

A CODE	P4150126041-000	A	M12带线A型公芯子(4PIN)	SAME AS P4150126051-000 BUT WITH CENTRAL HOLE BLOCKED
TYPE	PN	PN VERSION	DESCRIPTION	COMMENT



A CODE

SECTION E - E

P4150126041-001 AS SHOWN
OTHER DIMS SEE SHEET 2

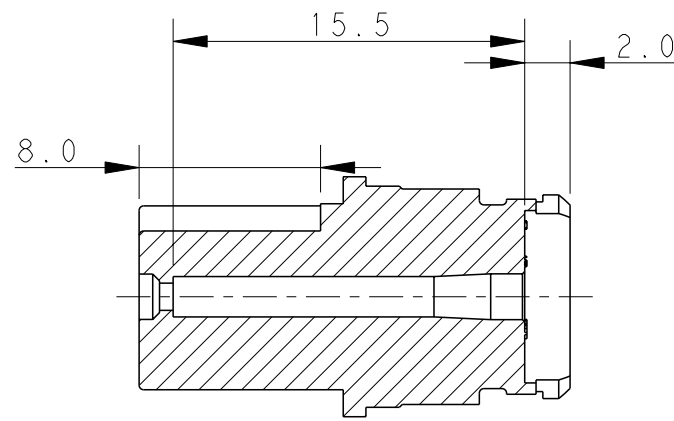
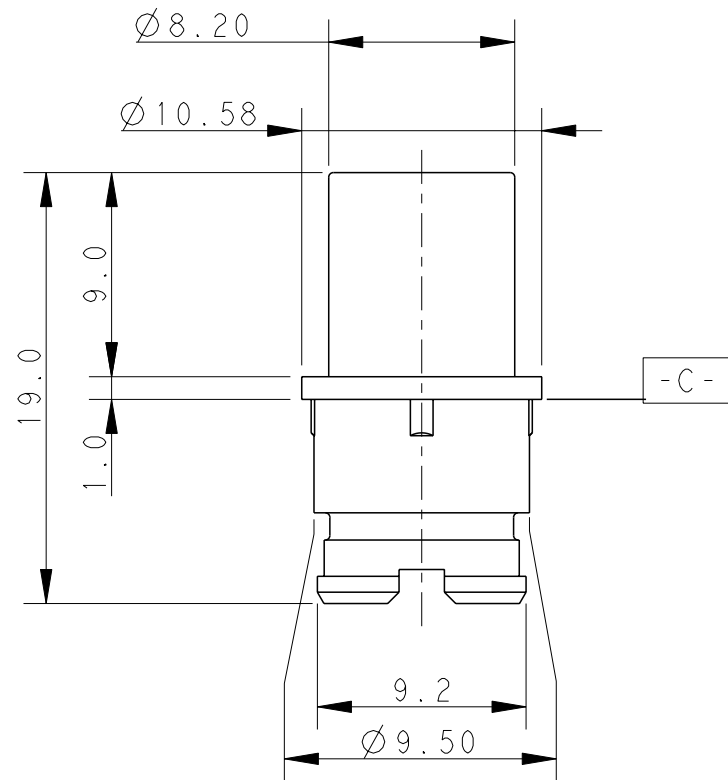
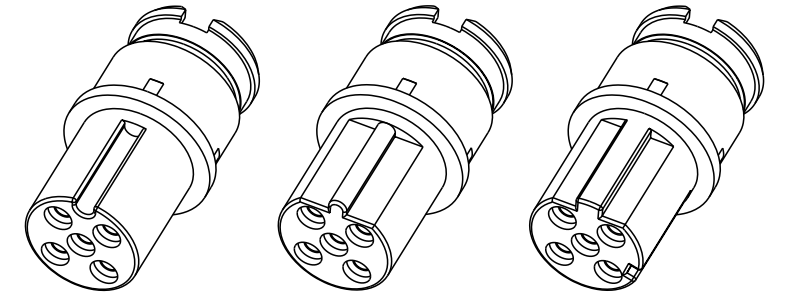
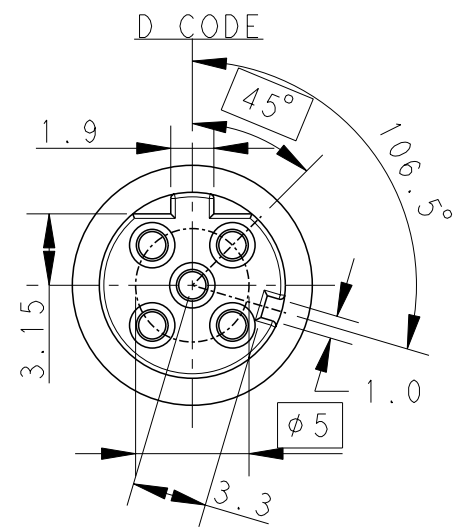
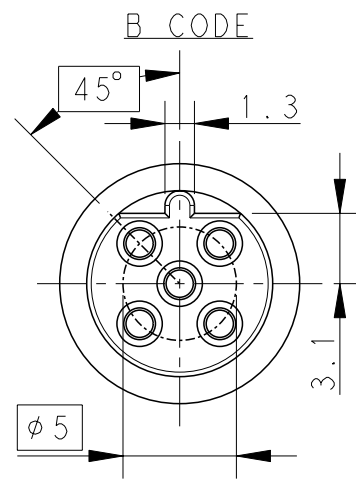
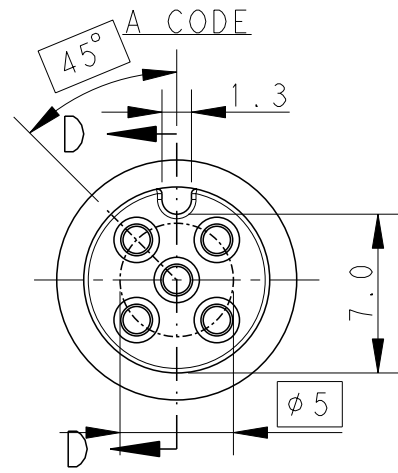
B2	A CODE	P4150126041-001	A	M12带线A型加长公芯子(4PIN)	SAME AS P4150126051-001 BUT WITH CENTRAL HOLE BLOCKED
	TYPE	PN	PN VERSION	DESCRIPTION	COMMENT

THIS INFORMATION IS CONFIDENTIAL AND PROPRIETARY TO TYCO ELECTRONICS CORPORATION AND ITS WORLDWIDE SUBSIDIARIES AND AFFILIATES (TE). IT MAY NOT BE DISCLOSED TO ANYONE, OTHER THAN TE PERSONNEL, WITHOUT AUTHORIZATION FROM TE (www.te.com).

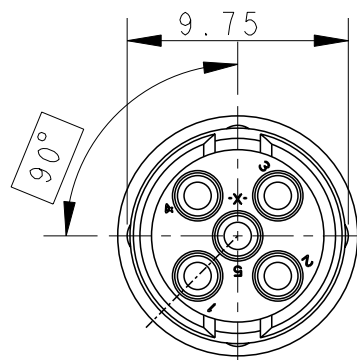
-	SEE SHEET 1	-	-	-
LTR	REVISION RECORD	DATE	DWN	APVD

DIMENSIONS:	TOLERANCES UNLESS OTHERWISE SPECIFIED:
mm	
	0 PLC ±0.2
	1 PLC ±0.1
	2 PLC ±0.05
	3 PLC ±
	4 PLC ±
ANGLES±	-
SURFACE TEXTURE	

DWN	15OCT2019	MATERIAL	-	HEAT TREAT	-
BLAZE PENG					
CHK	15OCT2019	TE Connectivity			
KEVIN HUANG					
APVD	15OCT2019				
CHRIS WANG		NAME M12, MALE, HOUSING			
SCALE	3:1	SIZE	A3	DRAWING NO	P415012605X000
		SHEET	4	OF	4
		REV			B2



SECTION D-D



NOTE:

- MATERIAL;
PA66, ULTRAMID A3X2G5 BK23187,
25%GF, UL94-V0,

注释:

- 材料PN: ,PA66 ULTRAMID
A3X2G5 BK23187, 25%GF, UL94-V0

P4150136054-999	D CODE	P4150136054-000	B	M12带线D型母端子
P4150136052-999	B CODE	P4150136052-000	B	M12带线B型母端子
P4150136051-999	A CODE	P4150136051-000	B	M12带线A型母端子
ALTERNATIVE PN	DESCRIPTION	PN	PN VERSION	DESCRIPTION

DWN	17AUG2015	MATERIAL	-	HEAT TREAT	-
HAO WANG	17AUG2015	CHK	-		
KOBBY ZHAO	17AUG2015	APVD	-		
XIANG XU	17AUG2015	TE Connectivity			
NAME M12 FEMALE HOUSING					

B4	ECR-20-003949	ADD NEW PN	16MAR2020	HH	CW
B3	ECR-19-017319,	ADJUST TOLERANCE	13JAN2020	A. Z	C. W
B2	ECR-19-012792,	ADD NEW PN	27SEP2019	B. P	C. W
LTR	REVISION RECORD		DATE	DWN	APVD

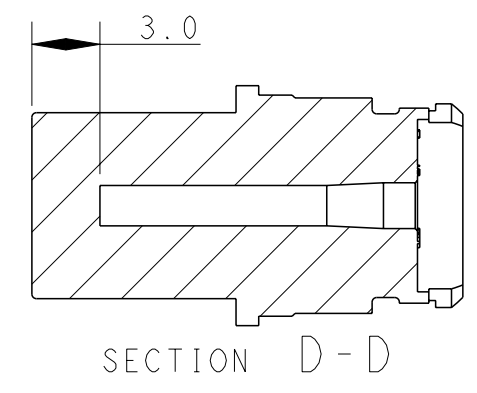
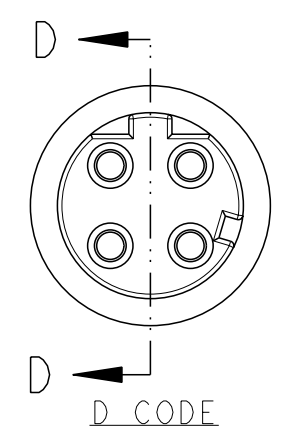
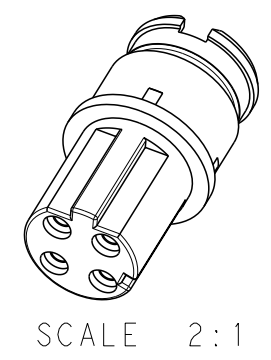
DIMENSIONS:		TOLERANCES UNLESS OTHERWISE SPECIFIED:	
mm		0 PLC	±0.3
		1 PLC	±0.25
		2 PLC	±0.15
		3 PLC	±
		4 PLC	±
ANGLES±		-	
SURFACE TEXTURE			

SCALE	SIZE	DRAWING NO	SHEET	OF	REV
3:1	A3	P415013605X000	1	6	B4

THIS INFORMATION IS CONFIDENTIAL AND PROPRIETARY TO TYCO ELECTRONICS CORPORATION AND ITS WORLDWIDE SUBSIDIARIES AND AFFILIATES (TE). IT MAY NOT BE DISCLOSED TO ANYONE, OTHER THAN TE PERSONNEL, WITHOUT AUTHORIZATION FROM TE (www.te.com).

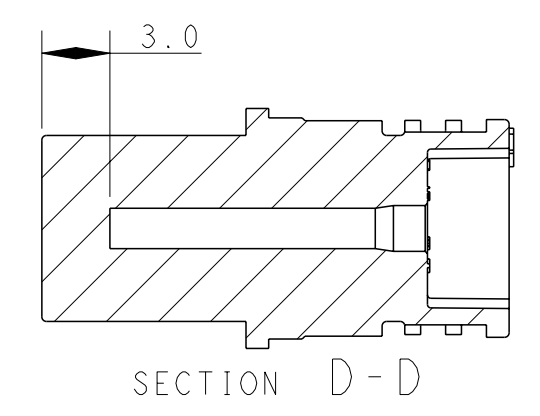
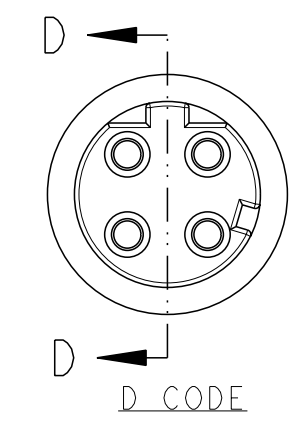
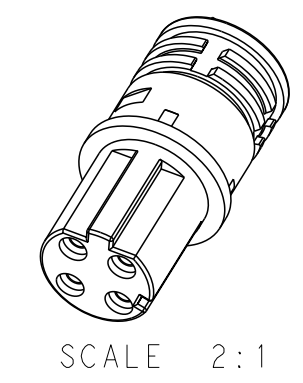
USED ON -

DWG NO P415013605X000
 THIS DRAWING IS A CONTROLLED DOCUMENT



P4150136044-000 AS SHOWN
OTHER DIMS SEE SHEET1

D CODE	P4150136044-000	B	M12带线D型母端子(4PIN)	SAME AS P4150136054-000 BUT WITH CENTRAL HOLE BLOCKED
TYPE	PN	PN VERSION	DESCRIPTION	COMMENT



P4150136044-001 AS SHOWN
OTHER DIMS SEE SHEET2

D CODE	P4150136044-001	B	M12带线D型加长母端子(4PIN)	SAME AS P4150136054-001 BUT WITH CENTRAL HOLE BLOCKED
TYPE	PN	PN VERSION	DESCRIPTION	COMMENT

THIS INFORMATION IS CONFIDENTIAL AND PROPRIETARY TO TYCO ELECTRONICS CORPORATION AND ITS WORLDWIDE SUBSIDIARIES AND AFFILIATES (TE). IT MAY NOT BE DISCLOSED TO ANYONE, OTHER THAN TE PERSONNEL, WITHOUT AUTHORIZATION FROM TE (www.te.com).

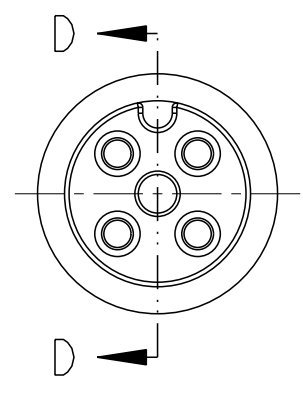
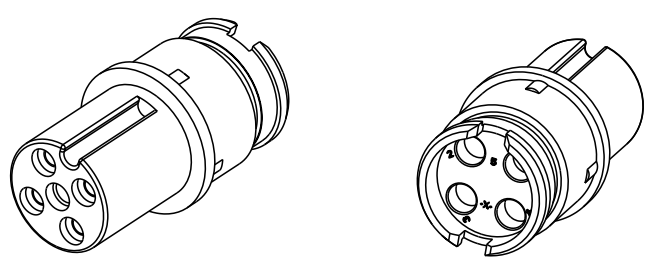
-	SEE SHEET 1	-	-	-
LTR	REVISION RECORD	DATE	DWN	APVD

DIMENSIONS:	TOLERANCES UNLESS OTHERWISE SPECIFIED:
mm	
	0 PLC ±0.3
	1 PLC ±0.25
	2 PLC ±0.15
	3 PLC ±
	4 PLC ±
ANGLES±	-
SURFACE TEXTURE	

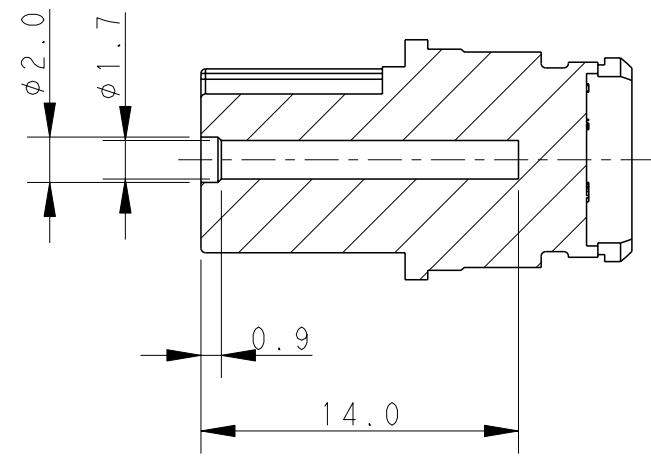
DWN	17AUG2015	MATERIAL	HEAT TREAT
HAO WANG		-	-
CHK	17AUG2015	TE Connectivity	
KOBBY ZHAO			
APVD	17AUG2015		
NAME	M12 FEMALE HOUSING		
SCALE	SIZE	DRAWING NO	SHEET OF REV
3:1	A3	P415013605X000	3 OF 6 B4

USED ON -

DWG NO P415013605X000
 THIS DRAWING IS A CONTROLLED DOCUMENT

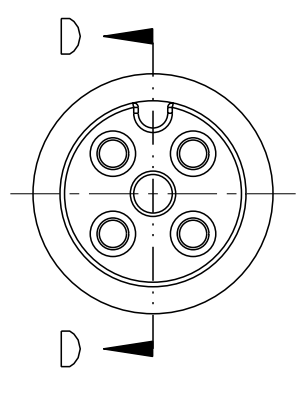
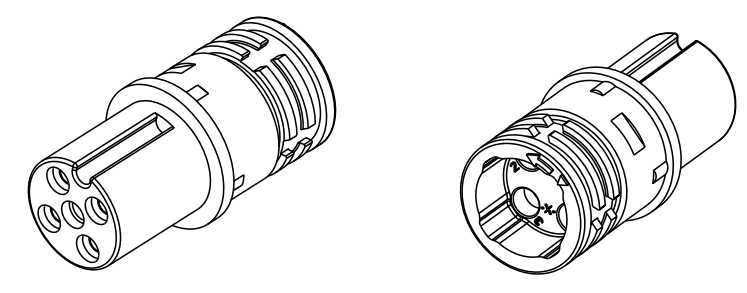


A CODE

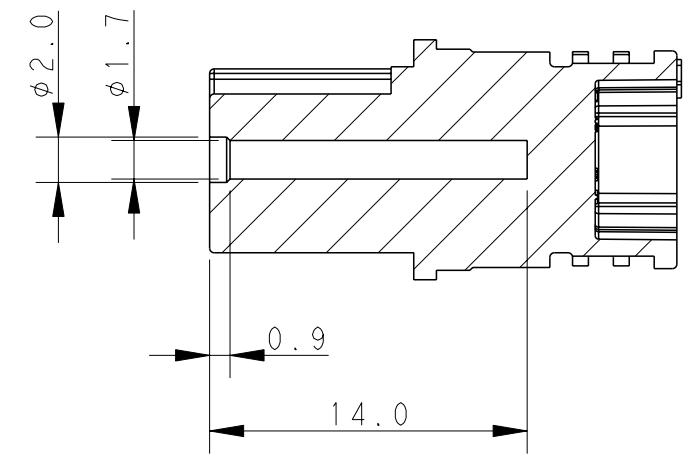


SECTION D-D

P4150136041-000 AS SHOWN
OTHER DIMS SEE SHEET1



A CODE



SECTION D-D

P4150136041-001 AS SHOWN
OTHER DIMS SEE SHEET2

A CODE	P4150136041-000	B	M12带线A型母端子(4PIN)	SAME AS P4150136051-000 BUT WITH CENTRAL HOLE BLOCKED
TYPE	PN	PN VERSION	DESCRIPTION	COMMENT

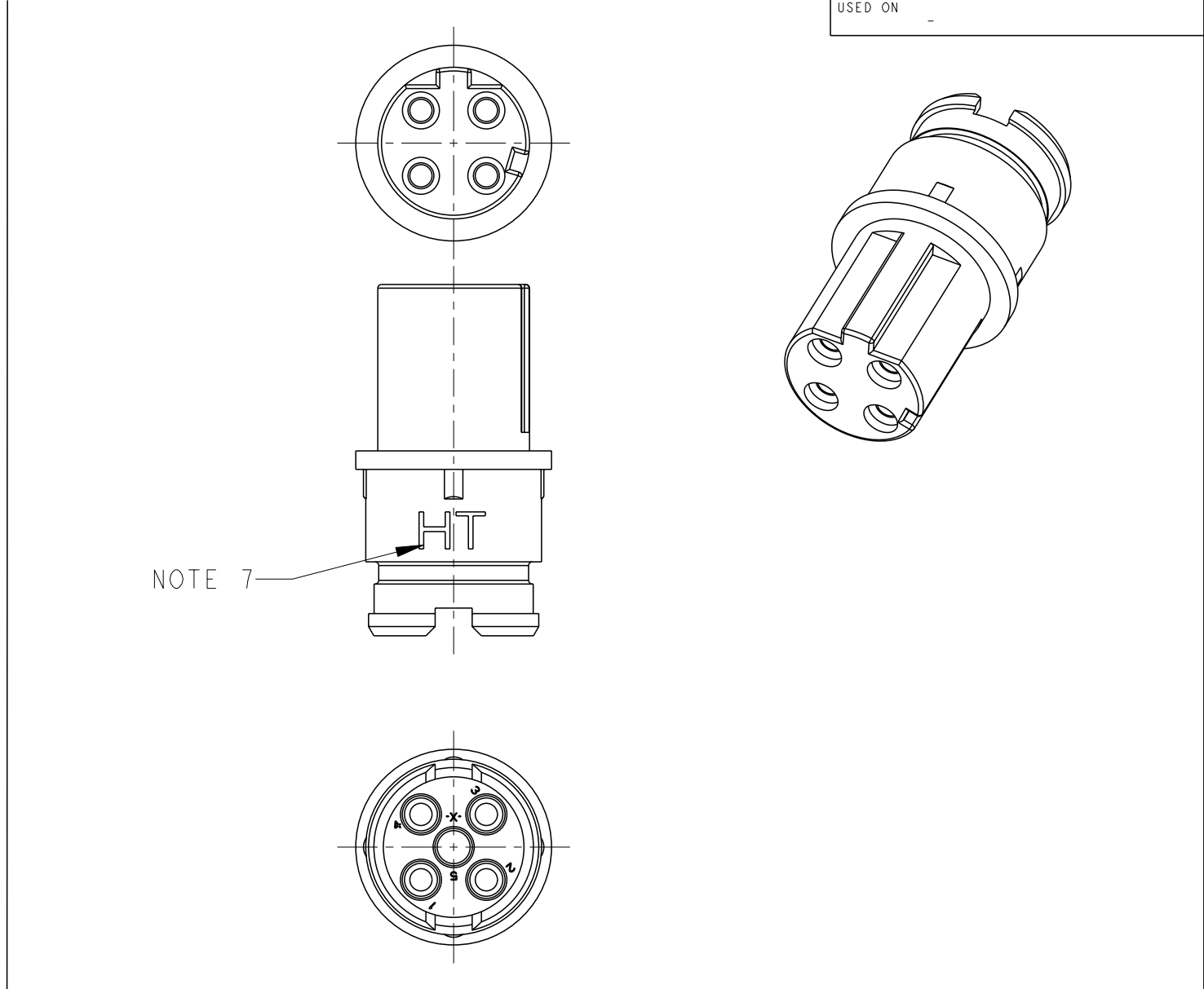
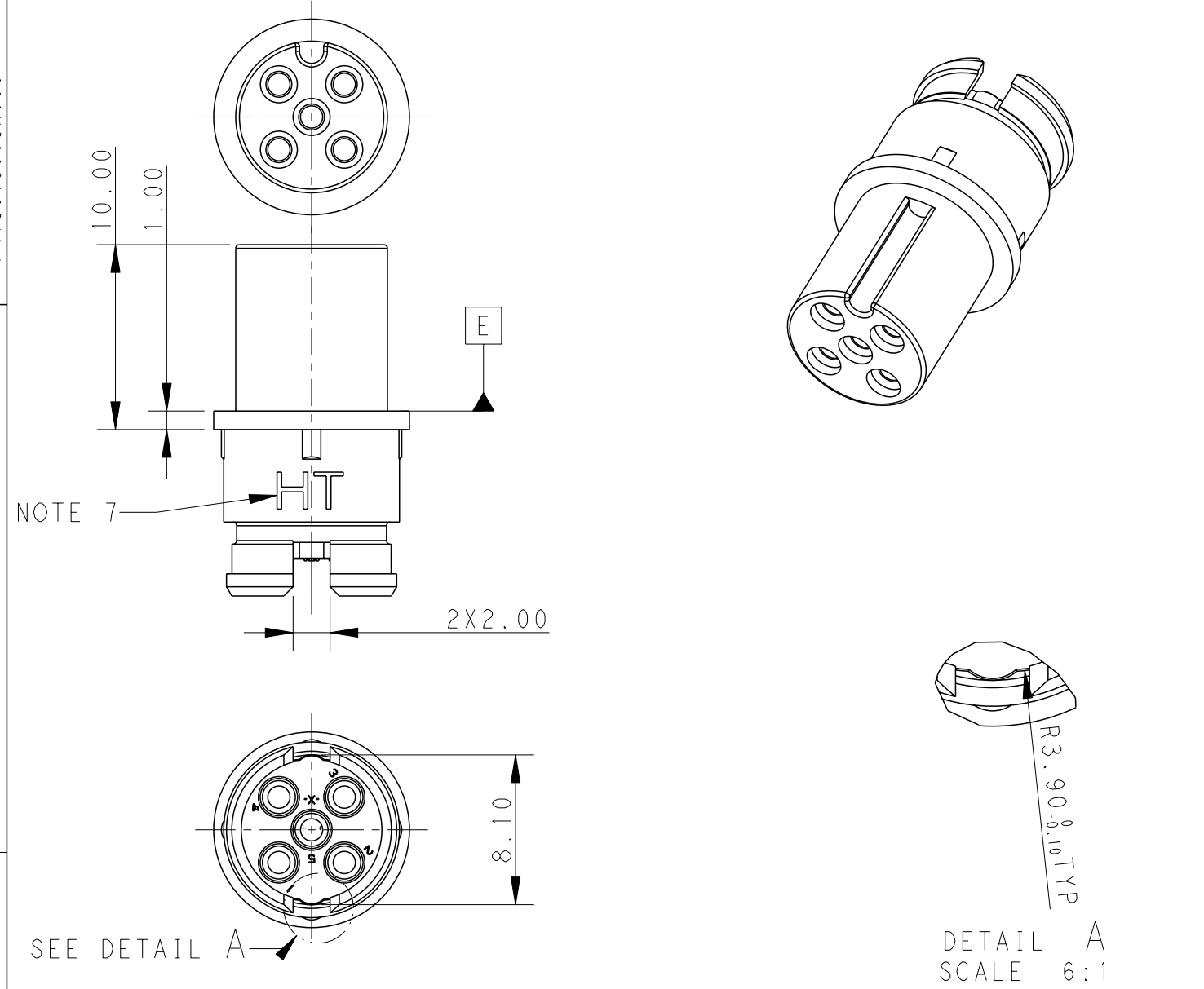
A CODE	P4150136041-001	A	M12带线A型加长母端子(4PIN)	SAME AS P4150136051-001 BUT WITH CENTRAL HOLE BLOCKED
TYPE	PN	PN VERSION	DESCRIPTION	COMMENT

LTR	REVISION RECORD	DATE	DWN	APVD
-	SEE SHEET 1	-	-	-

DIMENSIONS: mm	TOLERANCES UNLESS OTHERWISE SPECIFIED:
	0 PLC ±0.3
	1 PLC ±0.25
	2 PLC ±0.15
	3 PLC ±
	4 PLC ±
ANGLES±	-
SURFACE TEXTURE	

DWN	HAO WANG	17AUG2015	MATERIAL	-	HEAT TREAT	-					
CHK	KOBBY ZHAO	17AUG2015	TE Connectivity								
APVD	XIANG XU	17AUG2015									
NAME M12 FEMALE HOUSING											
SCALE	3:1	SIZE	A3	DRAWING NO	P415013605X000	SHEET	4	OF	6	REV	B4

THIS INFORMATION IS CONFIDENTIAL AND PROPRIETARY TO TYCO ELECTRONICS CORPORATION AND ITS WORLDWIDE SUBSIDIARIES AND AFFILIATES (TE). IT MAY NOT BE DISCLOSED TO ANYONE, OTHER THAN TE PERSONNEL, WITHOUT AUTHORIZATION FROM TE (www.te.com).



A CODE	P4140136051-000	A	M12带线A型母端子(5PIN)	SIMILAR AS P4150136051000	1573543-1
TYPE	PN	PN VERSION	DESCRIPTION	COMMENT	MATERIAL PN

D CODE	P4140136044-000	A	M12带线D型母端子(4PIN)	SIMILAR AS P4150136044-000	1573543-1
TYPE	PN	PN VERSION	DESCRIPTION	COMMENT	MATERIAL PN

NOTE:
1. MATERIAL: PA6T, ZYTEL HTNFR52G30NH, 30%GF, BLACK

注释:
1. 材料PN: PA6T ZYTEL HTNFR52G30NH, 30%GF, 颜色, 黑色

THIS INFORMATION IS CONFIDENTIAL AND PROPRIETARY TO TYCO ELECTRONICS CORPORATION AND ITS WORLDWIDE SUBSIDIARIES AND AFFILIATES (TE). IT MAY NOT BE DISCLOSED TO ANYONE, OTHER THAN TE PERSONNEL, WITHOUT AUTHORIZATION FROM TE (www.te.com).

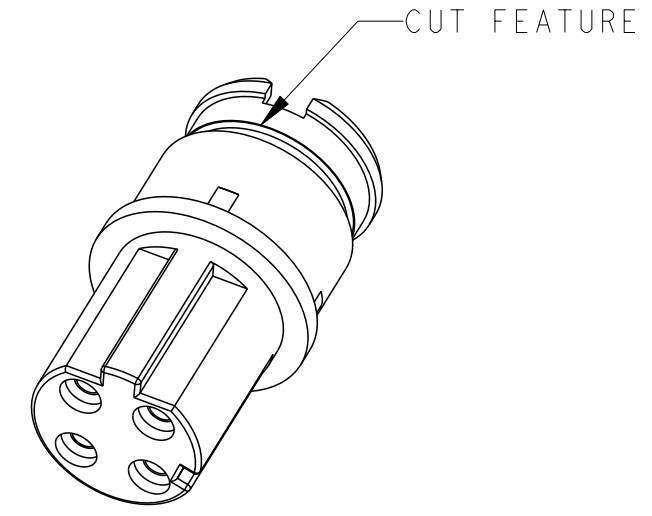
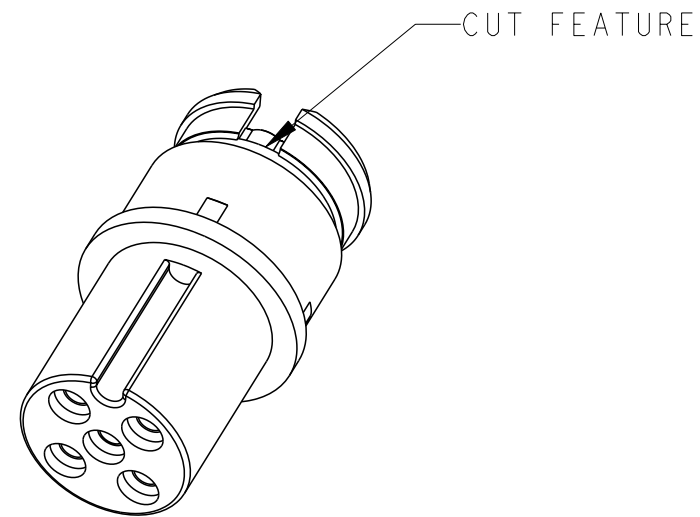
-	SEE SHEET 1	-	-	-
LTR	REVISION RECORD	DATE	DWN	APVD

DIMENSIONS:	TOLERANCES UNLESS OTHERWISE SPECIFIED:	
mm	0 PLC	±0.3
	1 PLC	±0.25
	2 PLC	±0.15
	3 PLC	±
	4 PLC	±
ANGLES±	-	
SURFACE TEXTURE		

DWN	17AUG2015	MATERIAL	-	HEAT TREAT	-
HAO WANG					
CHK	17AUG2015	TE Connectivity			
KOBBY ZHAO					
APVD	17AUG2015				
NAME	M12 FEMALE HOUSING				
SCALE	3:1	SIZE	A3	DRAWING NO	P415013605X000
		SHEET	5	OF	6
		REV	B4		

ALTERNATIVE SHEET
TO REDUCT OLD STOCKING

DWG NO P415013605X000
THIS DRAWING IS A CONTROLLED DOCUMENT



NOTE:
DIMENSIONS REFER TO SHEET 1

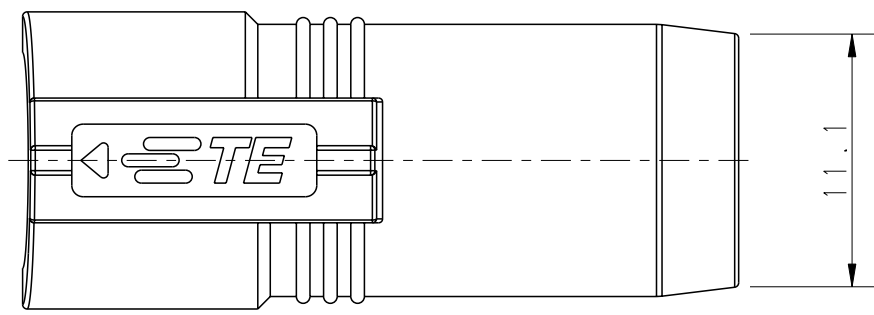
ADD CUT FEATUE	P4150136041-998	A-CODE	P4150136041-000	M12带线A型母端子(4Pin)
	P4150136044-998	D-CODE	P4150136044-000	M12带线D型母端子(4Pin)
	P4150136054-998	D CODE	P4150136054-000	M12带线D型母端子(5Pin)
	P4150136052-998	B-CODE	P4150136052-000	M12带线B型母端子(5Pin)
	P4150136051-998	A CODE	P4150136051-000	M12带线A型母端子(5Pin)
COMMENT	ALTERNATIVE PN	DESCRIPTION	PN	DESCRIPTION

-	SEE SHEET 1	-	-	-	
LTR	REVISION RECORD	DATE	DWN	APVD	

DIMENSIONS: mm	TOLERANCES UNLESS OTHERWISE SPECIFIED:
	0 PLC ±0.3
	1 PLC ±0.25
	2 PLC ±0.15
	3 PLC ±
	4 PLC ±
ANGLES±	-
SURFACE TEXTURE	

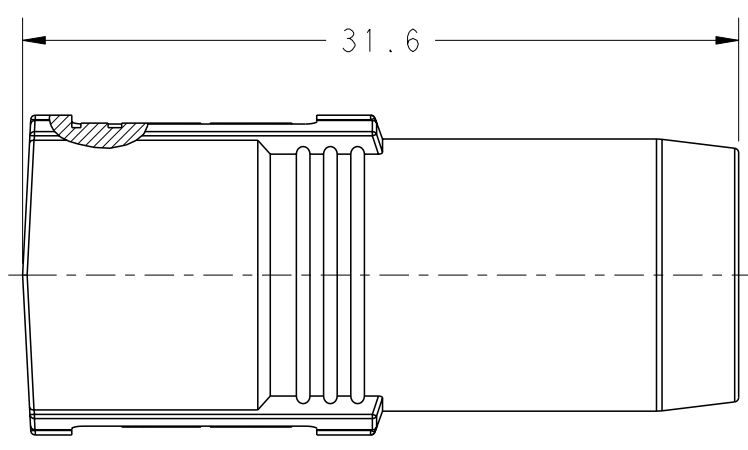
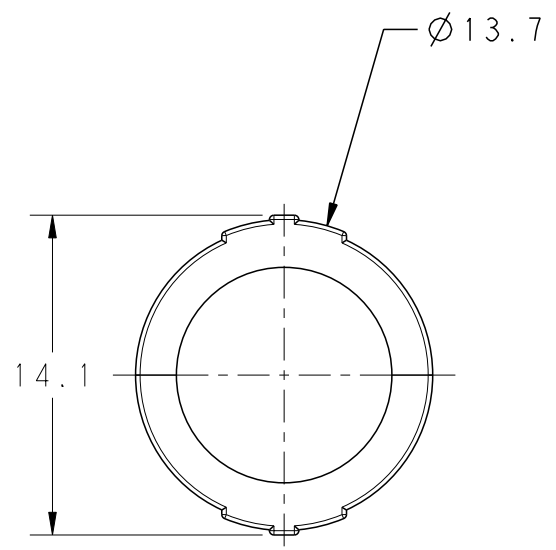
DWN	17AUG2015	MATERIAL	-	HEAT TREAT	-
HAO WANG		CHK	17AUG2015	TE Connectivity	
CHK	17AUG2015	APVD	-		
APVD	-	NAME	M12 FEMALE HOUSING		
SCALE	3:1	SIZE	A3	DRAWING NO	P415013605X000
SHEET			6	OF	6
REV			B4		

THIS INFORMATION IS CONFIDENTIAL AND PROPRIETARY TO TYCO ELECTRONICS CORPORATION AND ITS WORLDWIDE SUBSIDIARIES AND AFFILIATES (TE). IT MAY NOT BE DISCLOSED TO ANYONE, OTHER THAN TE PERSONNEL, WITHOUT AUTHORIZATION FROM TE (www.te.com).




NOTE:

1. MATERIAL:
TPU BASF I195 A 10, NATURAL+TONER(TPU COLORANT)
CLARIANT RENOL BLACK GP93447087 MIXED TO BE BLACK
RAL9011.

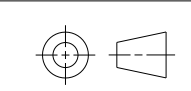


THIS INFORMATION IS CONFIDENTIAL AND PROPRIETARY TO TYCO ELECTRONICS CORPORATION AND ITS WORLDWIDE SUBSIDIARIES AND AFFILIATES (TE). IT MAY NOT BE DISCLOSED TO ANYONE, OTHER THAN TE PERSONNEL, WITHOUT AUTHORIZATION FROM TE (www.te.com).

M12带线直型护套主体(TE)	P4150600001-000
DESCRIPTION 描述	PART NUMBER 料号

DWN ALEX ZHANG	26DEC2018	MATERIAL NOTE 1	HEAT TREAT -
CHK HART HE	26DEC2018	 TE Connectivity	
APVD CHRIS WANG	26DEC2018		
NAME M12 STRAIGHT, UNSHIELDED OVER-MOLDING			
SCALE 3:1	SIZE A3	DRAWING NO P4150600001000	SHEET 1 OF 1
			REV A

LTR	REVISION RECORD	DATE	DWN	APVD
A	INITIAL RELEASE	12MAR2020	A.Z	C.W

DIMENSIONS: mm	TOLERANCES UNLESS OTHERWISE SPECIFIED:
	0 PLC ±0.5 1 PLC ±0.3 2 PLC ±0.15 3 PLC ± 4 PLC ±
ANGLES±	-
SURFACE TEXTURE	