

THIS DRAWING IS UNPUBLISHED.

RELEASED FOR PUBLICATION

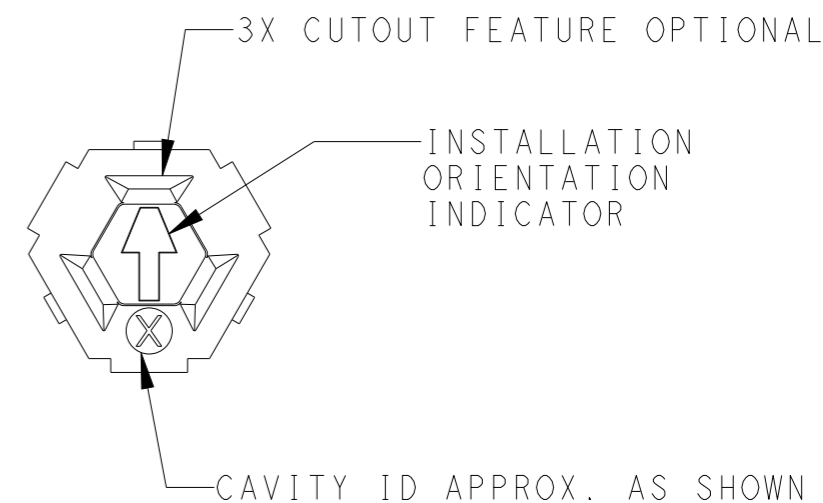
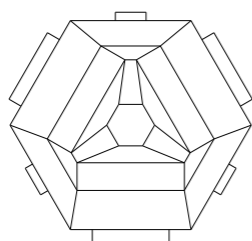
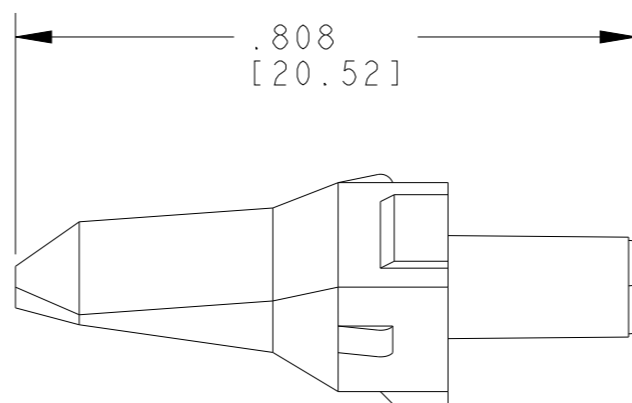
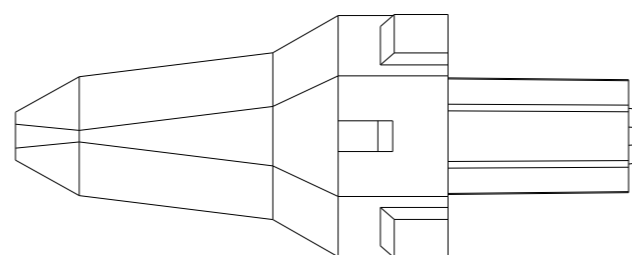
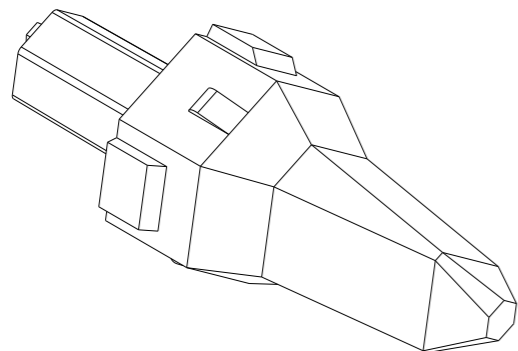
2014

© COPYRIGHT 2014 BY -TE CONNECTIVITY

ALL RIGHTS RESERVED.

LOC	DIST
-	-

REVISIONS					
P	LTR	DESCRIPTION	DATE	DWN	APVD
	C	REVISED PER E.O P15887	15FEB1999	-	RDR
	C1	REVISED PER E.O-15-000356	08JAN2015	PS	DM
	C2	REVISED PER PCN-22-149876	12DEC2022	AP	IG
	H	REVISED PER PCN-23-190134	29SEP2023	GB	CB

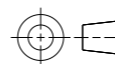


1. USED WITH DT04-3P-XXXX (XXXX= ALL MODIFICATIONS)
 CONSULT FACTORY FOR MODIFICATION AND APPLICATION.

NOTES:

THIS DRAWING IS A CONTROLLED DOCUMENT.

DIMENSIONS:
INCHES [mm]



TOLERANCES UNLESS OTHERWISE SPECIFIED:

0 PLC	±
1 PLC	±
2 PLC	±
3 PLC	±0.025 [0.635]
4 PLC	±
ANGLES	±0°30'0"

MATERIAL PBT30%GF
GREEN

FINISH -

DWN	A.LEE	04FEB1999
CHK	S.THEIS	08FEB1999
APVD	S.THEIS	08FEB1999
PRODUCT SPEC	108-151009	
APPLICATION SPEC	114-151009	
WEIGHT	0.53g	

		NAME		RESTRICTED TO	
		WEDGE LOCK 3 WAY RECEPTACLE DT SERIES			
SIZE	CAGE CODE	DRAWING NO	-		
A3	4AFU8	W3P	-		
CUSTOMER DRAWING		SCALE	SHEET	OF	REV
		4:1	1	1	H