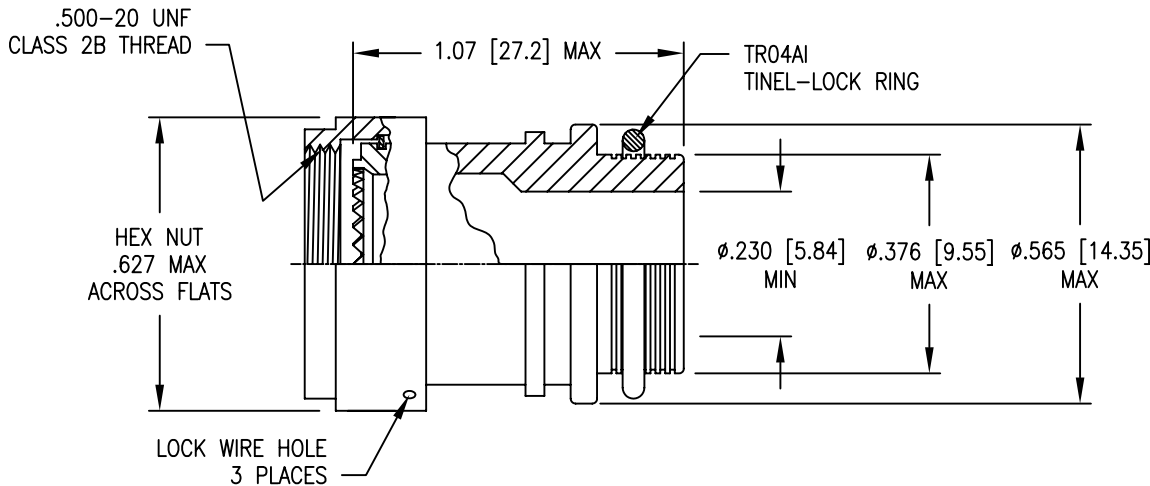


TYCO ELECTRONICS RESERVES THE RIGHT TO AMEND THIS DRAWING AT ANY TIME. USERS SHOULD EVALUATE THE SUITABILITY OF THE PRODUCT FOR THEIR APPLICATION.

REVISIONS

LTR	DESCRIPTION	DATE	APPROVED
A	INITIAL RELEASE PER DCR R060268	4/18/06	MPIOZET



ORDERING PART NUMBER: TXS63SJ00-0804AI

NOTES:

- THIS PRODUCT IS DESIGNED TO TERMINATE A BRAIDED CABLE SHIELD AND A HEAT SHRINKABLE LIPPED BOOT TO A CONNECTOR.
- SEE DRAWING "TR" FOR DETAIL ON TINEL-LOCK RING. RINGS ARE DESIGNED TO BE HEATED ELECTRICALLY. ALL RINGS ARE MARKED WITH THERMOCHROMIC PAINT WHICH CHANGES COLOR WHEN INSTALLATION TEMPERATURE IS REACHED.
- ADAPTER TO BE PERMANENTLY MARKED WITH CODE IDENT. NO. AND PART NO. LESS RING DESIGNATOR (E.G.: 06090-TXS63SJ00-0804). RINGS SHALL BEAR NO MARKING.
- ADAPTER MATES TO MIL-DTL-5015H, MS3400 SERIES, CLASS D, E, K, L, U & W: MS3400, MS3401, MS3404, MS3406, MS3450, MS3451, MS3454, MS3456, MS3470, MS3471, MS3472, MS3474, MS3475, MS3476. MIL-C-83723, SERIES II, CLASS A & L. MIL-C-83723, SERIES I & III, CLASS A, G, K, R & S: M83723/1, /2, /3, /4, /5, /6, /7, /8, /13, /14, /36, /37, /38, /39, /40, /41, /42, /43, /48, /49, /65, /66, /67, /68, /69, /70, /71, /72, /73, /74, /75, /76, /77, /78, /82, /83, /84, /85, /86, /87, /91, /92, /95, /97, /98, (MS3155 CONTROLLED INTERFACE), SHELL SIZE 8 AND 8S.
- MATERIAL AND FINISH: STAINLESS STEEL, PASSIVATED

If this document is printed it becomes uncontrolled.
Check for the latest revision.

TINEL-LOCK™ is a trademark of Tyco Electronics Corporation.
©2006 Tyco Electronics Corporation. All rights reserved.

SPECIFICATION CONTROL DRAWING

UNLESS OTHERWISE SPECIFIED DIMENSIONS ARE IN INCHES. METRIC DIMENSIONS ARE IN BRACKETS. DECIMALS .XXX ± 0.005 [0.13 mm] .XX ± 0.01 [0.25 mm] .X ± 0.1 [0.50 mm] ANGLES .X ± 0.5 DEG	DRAWN	MFORONDA	4/10/06		Tyco Electronics Corporation 300 Constitution Drive Menlo Park, CA. 94025 U.S.A.		
	CHECKED	---	---				
	APPROVED	MPIOZET	4/10/06	TITLE			
	REVISED			SPECIAL TINEL-LOCK ADAPTER CODE 54, HEXAGONAL COUPLING NUT			
CAD NAME: R060268.dwg			SIZE	CODE IDENT. NO.	DWG. NO.		
THIRD ANGLE PROJECTION			A	06090	TXS63		
DO NOT SCALE THIS DRAWING					SHEET 1 OF 1		