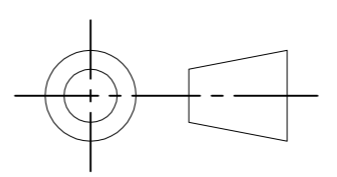


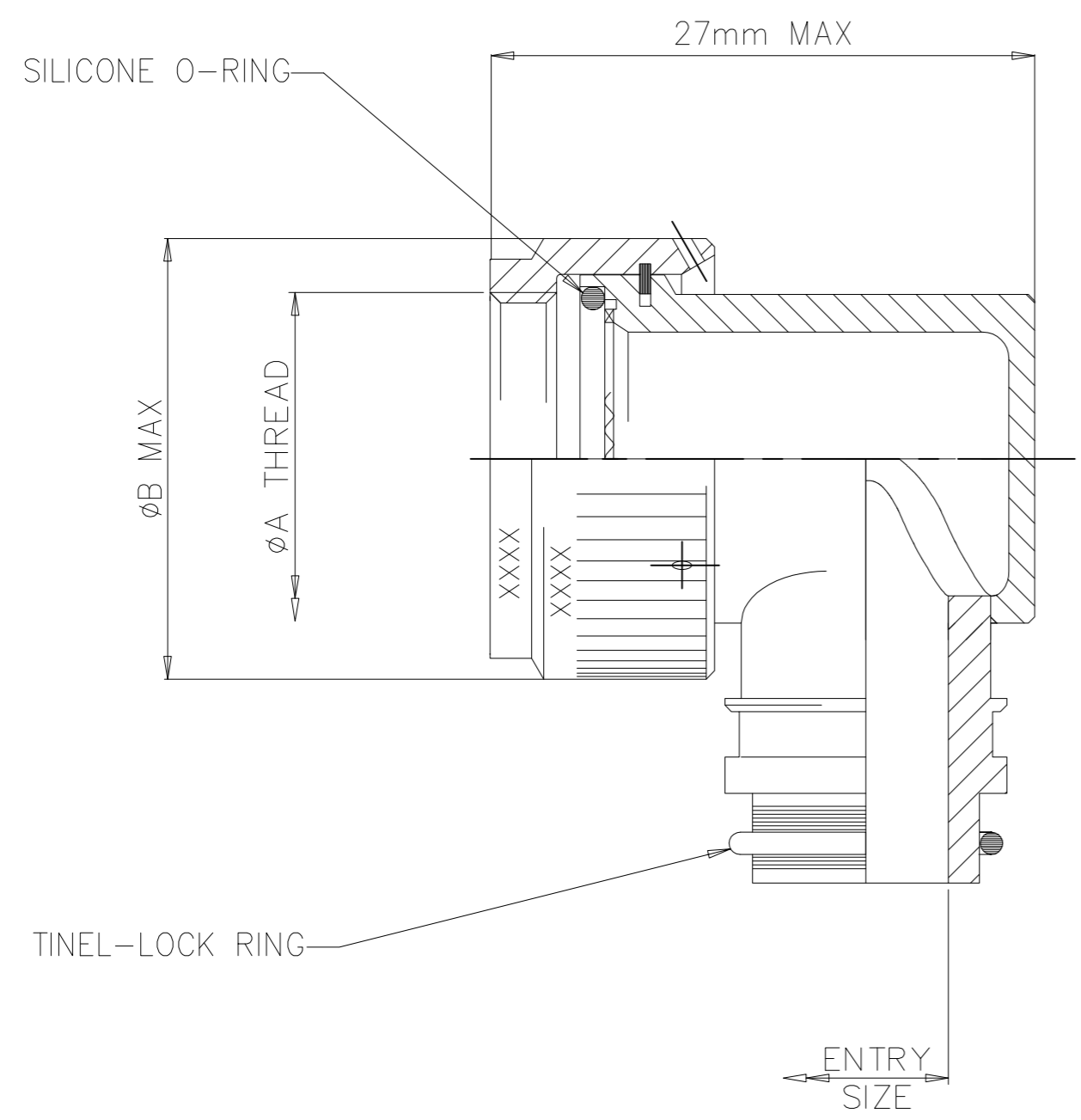
6
SECURITY CLASSIFICATION
DRAWING NO.
TXS540**90-1006*I

3rd ANGLE PROJECTION

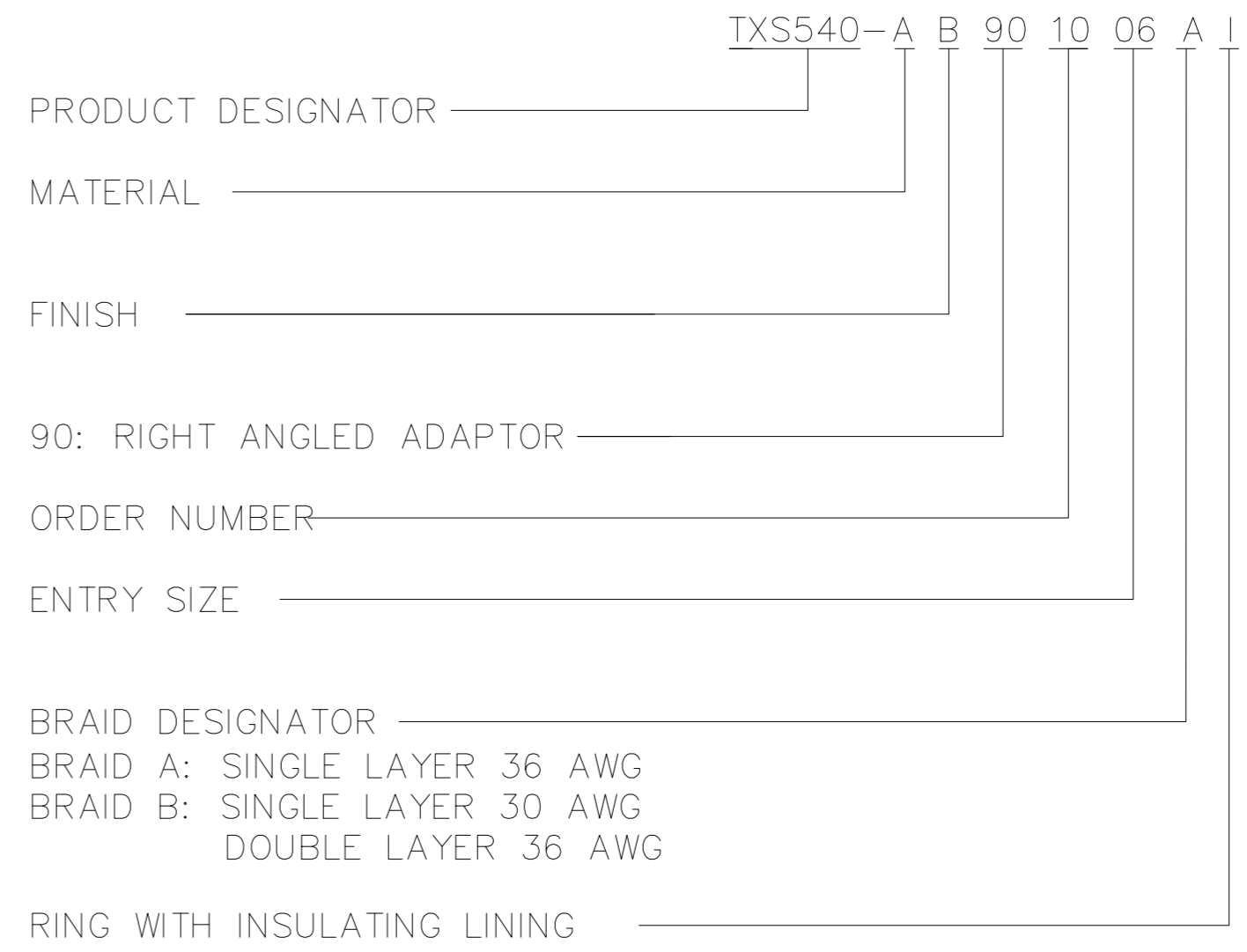


REMOVE ALL SHARP EDGES AND BURRS

USED ON



PART NUMBERING SYSTEM



PART NUMBER	MAXIMUM ENTRY TYPE 1	ØA THREAD RH CLASS 6H	ØB MAX
TXS540**90-1006*I	06	M15 x 1.0	21.59

NOTES

- THIS PRODUCT IS DESIGNED TO TERMINATE A BRAIDED CABLE SHIELD AND A HEAT SHRINKABLE LIPPED BOOT TO A CONNECTOR
- SEE DRAWING TR FOR DETAIL ON TINELL-LOCK RING. RINGS ARE DESIGNED TO BE HEATED ELECTRICALLY. ALL RINGS ARE MARKED WITH THERMOCHROMIC PAINT WHICH CHANGES COLOUR WHEN INSTALLATION TEMPERATURE IS REACHED.
- ADAPTOR TO BE PERMANENTLY MARKED WITH CODE IDENTIFICATION NUMBER AND PART NUMBER LESS RING DESIGNATOR. (e.g. 06090 TXS40AB00-1007BI). RINGS SHALL BEAR NO MARKING.
- TINELL-LOCK RING IS TO BE SPECIFIED IN PART NUMBER WHEN ORDERING.

DRAWN	N. NAGAR	DATE	NOV 2014	UNLESS OTHERWISE SPECIFIED, DIMENSIONS ARE IN MM. TOL'S ARE: ANGLES = ± 0°30' 0 FIG = ± 0.5 1 FIG = ± 0.1 2 FIG = ± 0.05	DO NOT SCALE THIS DRAWING
CHECKED	H. SMITH	NOV 2014			
APPROVED 1	H. SMITH	NOV 2014			
APPROVED 2					
APPROVED 3					
PROJECT	85007		ISSUE	1	THIS DRAWING AND THE INFORMATION SET FORTH HEREON ARE THE PROPERTY OF TE CONNECTIVITY AND ARE TO BE HELD IN TRUST AND CONFIDENCE. PUBLICATION, DUPLICATION, DISCLOSURE, OR USE FOR ANY OTHER PURPOSE NOT EXPRESSLY AUTHORISED IN WRITING BY TE CONNECTIVITY IS PROHIBITED.
			SCALE	NTS	

TE Connectivity CUSTOMER DRAWING

TXS540**90-1006*I

TITLE

ADAPTOR ASSEMBLY - 90°