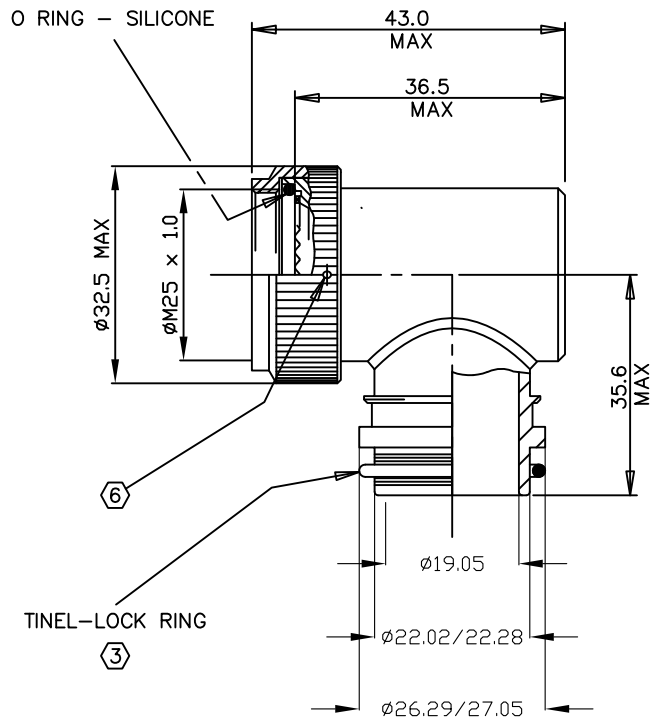


ISSUE	DESCRIPTION	DRAWN	DATE	APPR
C	RELEASED PER ECO-15-011623	NN	JUL 15	IM



CODE 40 TKR TINEL-LOCK 90° ADAPTOR

NOTES

1. THIS PRODUCT IS DESIGNED TO TERMINATE A BRAIDED CABLE SHIELD AND A HEAT SHRINKABLE LIPPED BOOT TO A CONNECTOR – SEE NOTE 5.
2. SEE CHOO-0250-008 FOR ORDERING INFORMATION AND SHEET 2 FOR PART NUMBERING SYSTEM.
- ③ SEE DRAWING TR FOR DETAIL ON TINEL-LOCK RING. RINGS ARE DESIGNED TO BE HEATED ELECTRICALLY. ALL RINGS ARE MARKED WITH THERMOCHROMIC PAINT WHICH CHANGES COLOUR WHEN INSTALLATION TEMPERATURE IS REACHED.
4. ADAPTOR TO BE PERMANENTLY MARKED WITH CODE IDENTIFICATION NUMBER AND PART NUMBER LESS RING DESIGNATOR. (e.g. 06090-TKR40AB90-1612). RING SHALL BEAR NO MARKING.
- ⑤ ADAPTOR MATES TO: MIL-C-38999 SERIES III AND IV, CLASS C, F, K AND W, D38999/20, /24, /26, /40, /46 AND /47 CONNECTORS. WHEN SO MATED IT SHALL PROVIDE A WATER-TIGHT SEAL MEETING THE REQUIREMENTS OF MIL-C-85049, PARA 3.5.7.
- ⑥ ACCESSORY NUT HAS THREE LOCK-WIRE HOLES 120° APART.

© 2015 TE CONNECTIVITY LTD. FAMILY OF COMPANIES. ALL RIGHTS RESERVED
 TE CONNECTIVITY AND TE CONNECTIVITY (LOGO) ARE TRADEMARKS.
 OTHER LOGOS PRODUCT AND/OR COMPANY NAMES MAY BE TRADEMARKS OF THEIR RESPECTIVE OWNERS.

CUSTOMER DRAWING



DO NOT SCALE
THIS DRAWING

THIS DRAWING AND THE INFORMATION SET FORTH HEREON ARE THE PROPERTY OF TYCO AND ARE TO BE HELD IN TRUST AND CONFIDENCE. PUBLICATION, DUPLICATION, DISCLOSURE OR USE FOR ANY OTHER PURPOSE NOT EXPRESSLY AUTHORISED IN WRITING BY TYCO IS PROHIBITED.

TITLE
TINEL-LOCK ADAPTOR – 90°

DRAWN	IRT	DATE MAY 98
CHECKED	KJW	MAY 98
APPROVED	KJW	MAY 98
PROJECT NO	85007-40	

CODE IDENT	DRAWING NUMBER	ISSUE
NUMBER	TKR40**90-1612	C
06090		

SHEET 1 OF 2
TKR40901612SCD-1

ISSUE	DESCRIPTION	DRAWN	DATE	APPR
C	RELEASED PER ECO-15-011623	NN	JUL 15	IM

TKR 40 A B 90-16 12 B I

PRODUCT DESIGNATOR _____
TKR = ADAPTOR AND RING (K = KOREA)

⑤ CONNECTOR CODE _____

MATERIAL _____
SEE CHOO-0250-008

FINISH _____
SEE S-CHOO-0157-002

CONFIGURATION _____
90 = 90°

ORDER NUMBER _____

ENTRY SIZE _____

BRAID DESIGNATOR _____
BRAID A: SINGLE LAYER 36 AWG
BRAID B: SINGLE LAYER 30 AWG
DOUBLE LAYER 36 AWG

RING WITH INSULATING LINING _____

© 2015 TE CONNECTIVITY LTD. FAMILY OF COMPANIES. ALL RIGHTS RESERVED
TE CONNECTIVITY AND TE CONNECTIVITY (LOGO) ARE TRADEMARKS.
OTHER LOGOS PRODUCT AND/OR COMPANY NAMES MAY BE TRADEMARKS OF THEIR RESPECTIVE OWNERS.

CUSTOMER DRAWING



DO NOT SCALE THIS DRAWING			THIS DRAWING AND THE INFORMATION SET FORTH HEREON ARE THE PROPERTY OF TYCO AND ARE TO BE HELD IN TRUST AND CONFIDENCE. PUBLICATION, DUPLICATION, DISCLOSURE OR USE FOR ANY OTHER PURPOSE NOT EXPRESSLY AUTHORISED IN WRITING BY TYCO IS PROHIBITED.	TITLE TINEL-LOCK ADAPTOR - 90°		
DRAWN	IRT	DATE MAY 98		CODE IDENT NUMBER 06090	DRAWING NUMBER TKR40**90-1612	ISSUE C
CHECKED	KJW	MAY 98				
APPROVED	KJW	MAY 98		SHEET 2 OF 2		
PROJECT NO	85007-40			TKR40901612SCD-2		