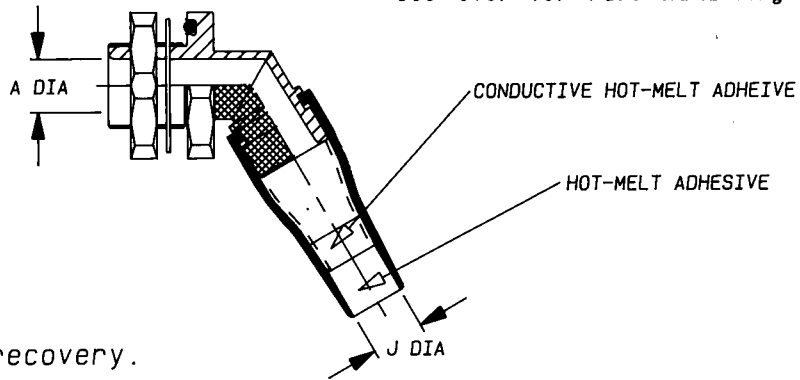


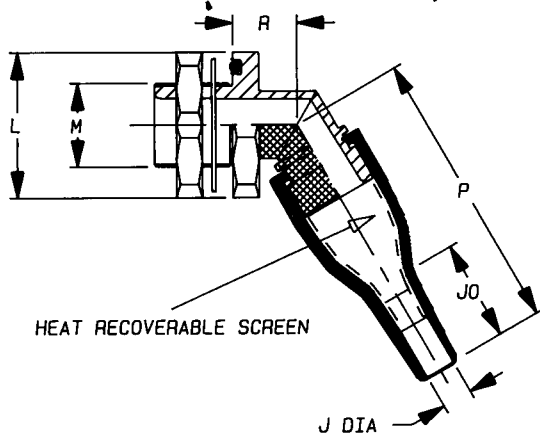
TCFR-\*\*-\*\*\*-4\*\*-100CH

See over for Part Numbering System

a) Part as supplied.



b) Part after unrestricted recovery.



KITS TO INCLUDE CLEANING TISSUE, 1 PIECE 100 GRIT EMERY CLOTH & PACKING PIECE.

KIT TO BE USED IN CONJUNCTION WITH TCFS INSTALLATION PROCEDURE.

Dimensions (in millimetres)

| PART No. | A    | J        | M        | A/F       | L   | R   | P         | J0        |          |
|----------|------|----------|----------|-----------|-----|-----|-----------|-----------|----------|
|          | min  | min<br>a | max<br>b | THREAD    | Nut | NOM | ±10%<br>b | ±10%<br>b | Ref<br>b |
| TCFR-12  | 7.4  | 7.0      | 5.0      | M12 x 1.5 | 17  | 24  | 16        | 52        | 15       |
| TCFR-16  | 10.1 | 9.0      | 6.0      | M16 x 1.5 | 22  | 29  | 17        | 55        | 17       |
| TCFR-20  | 14.1 | 11.0     | 7.2      | M20 x 1.5 | 27  | 34  | 18        | 64        | 20       |
| TCFR-24  | 19.1 | 17.0     | 8.5      | M24 x 1.5 | 30  | 38  | 20        | 80        | 25       |
| TCFR-30  | 24.1 | 21.0     | 10.0     | M30 x 1.5 | 36  | 47  | 24        | 97        | 30       |
| TCFR-36  | 30.1 | 29.0     | 15.8     | M36 x 1.5 | 41  | 52  | 26        | 107       | 30       |
| TCFR-48  | 40.1 | 36.0     | 16.8     | M48 x 1.5 | 55  | 67  | 28        | 125       | 38       |

Copyright (!)  
Urheberrechte

The copyright in this drawing is the property of Raychem Ltd. The drawing is issued on condition that it is not copied, reproduced or disclosed to a third party, either in whole or in part without the prior written consent of Raychem Ltd.

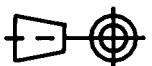
Drawn A.LILLEY. Checked *AL* Issue 2 Date April 1994

Conforms to ISO Recommendations  
3rd Angle Projection  
Not to Scale

Approval  
Design

MKTG.

Q.C.



*Approval Signature*

*MKTG. Signature*

*Q.C. Signature*

| Iss. | Date       | E.C.R. No. | Details of Change |
|------|------------|------------|-------------------|
| 2    | April 1994 | H0201      | WAS ONLY SIZE 48  |

Material

(-100) ZERO HALOGEN

Part Numbering System.

TCFR-\*\*-\*\*\*-4\*\*-100CH

