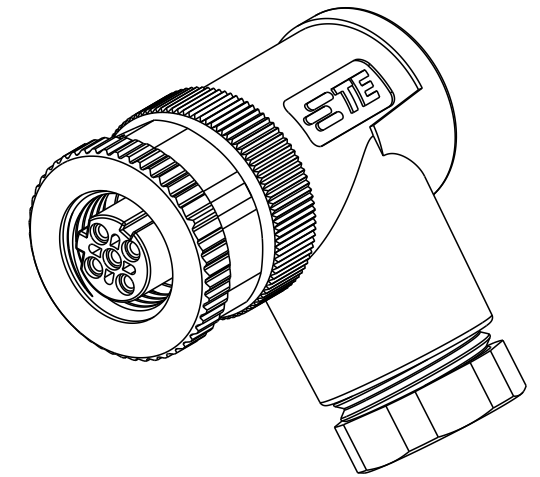
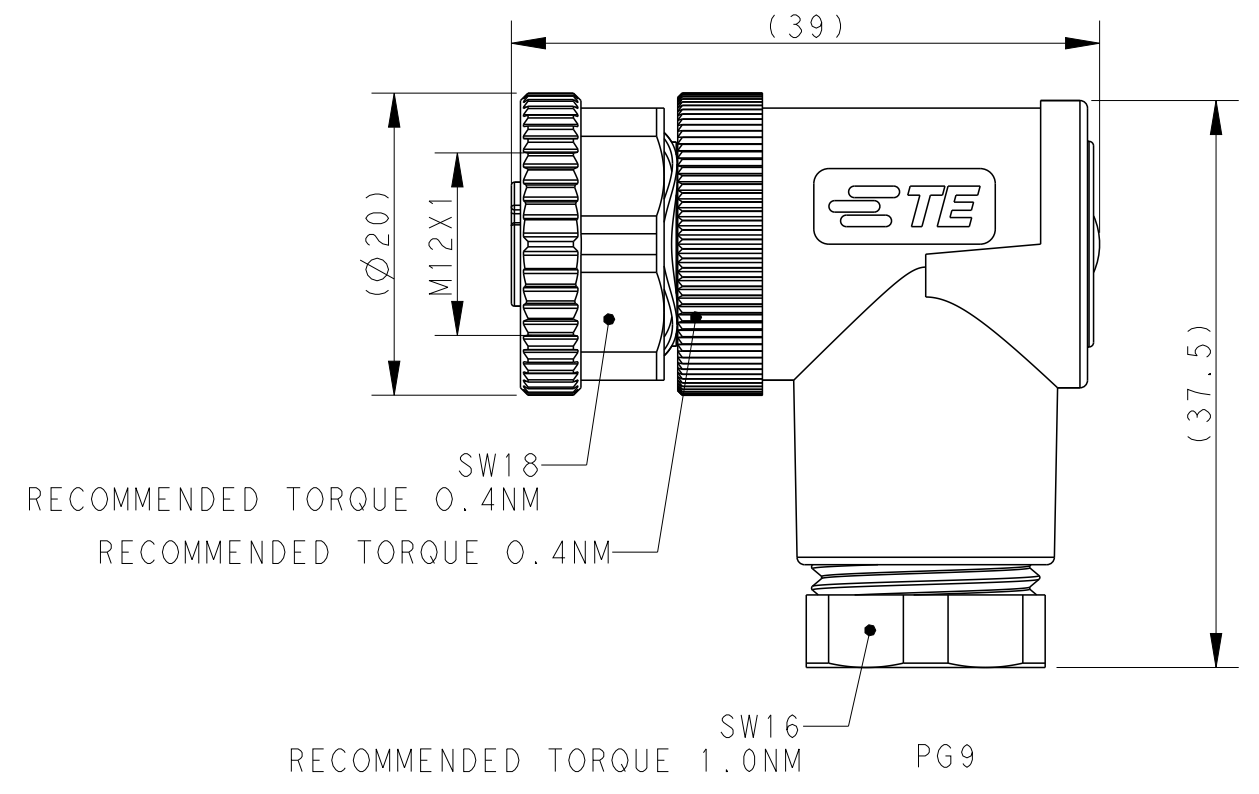
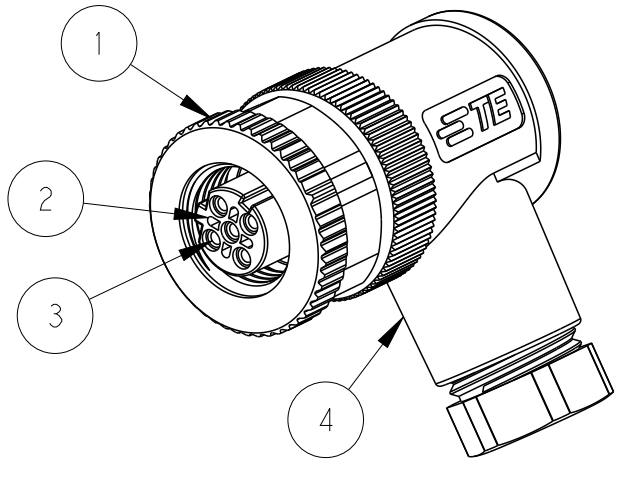
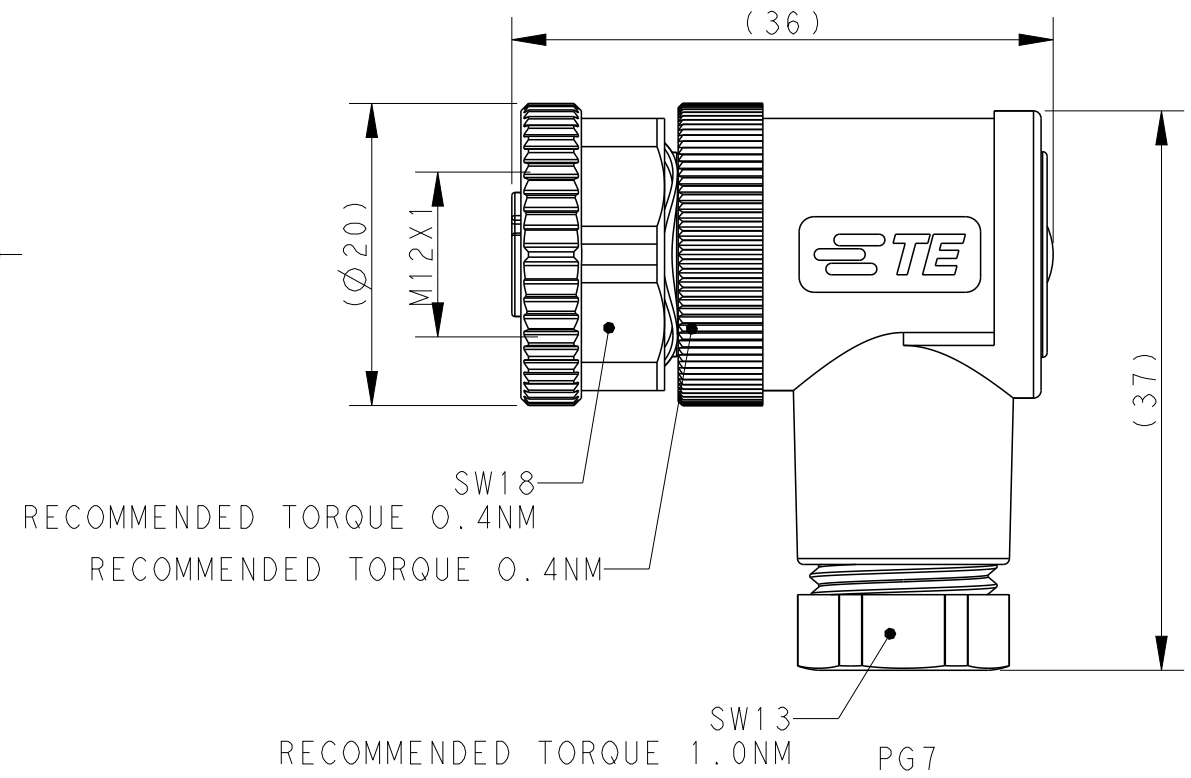
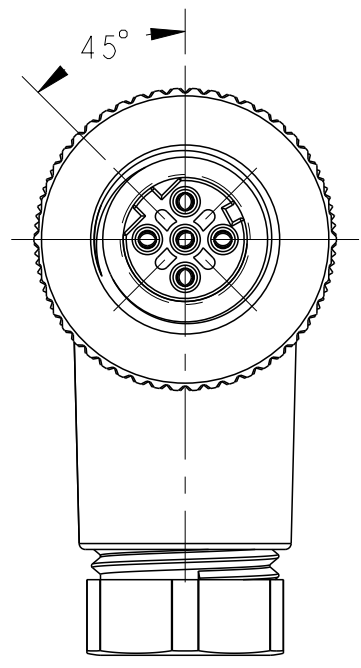


THIS DRAWING IS UNPUBLISHED. RELEASED FOR PUBLICATION 20
 © COPYRIGHT 20 BY - ALL RIGHTS RESERVED.

REVISIONS				
P	LTR	DESCRIPTION	DATE	APVD
A		INITIAL RELEASE	24JUL2015	NP XX
A1		ECR-15-018715 ADD 114 SPEC.	29DEC2015	NP XX
A2		ECR-20-012708 ADD MODEL PG9	22SEP2020	S.C C.W
B		ECR-22-132011	25AUG2022	BP CW

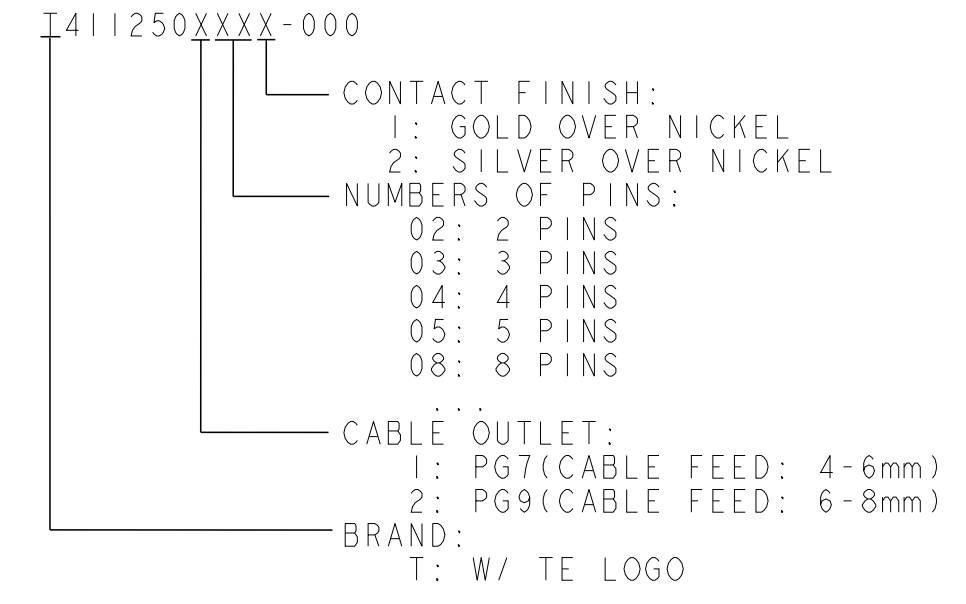


TECHNICAL DATA	T411250X02X-000	T411250X03X-000	T411250X04X-000	T411250X05X-000
	RATED VOLTAGE	250V	250V	250V
RATED CURRENT	4A	4A	4A	4A
POLLUTION DEGREE	3	3	3	3
OVERVOLTAGE CATEGORY	II	II	II	II
MATERIAL GROUP	II	II	II	II
CONTACT RESISTANCE	≤10mΩ	≤10mΩ	≤10mΩ	≤10mΩ
INSULATION RESISTANCE	>100MΩ	>100MΩ	>100MΩ	>100MΩ
DEGREE OF PROTECTION	IP67	IP67	IP67	IP67
OPERATION TEMPERATURE	-40~85°C	-40~85°C	-40~85°C	-40~85°C

- NOTE:
- MATERIAL:
 - ITEM NO.1: NUT - ZINC DIE-CAST, NICKEL PLATED
 - ITEM NO.2: HOUSING - PA
 - ITEM NO.3: CONTACT - BRONZE
 - ITEM NO.4: HOUSING BODY: -PBT+GF
 - CONTACT FINISH: GOLD OVER NICKEL OR SILVER OVER NICKEL
 - CABLE WIRES:
 - 24AWG/0.25mm²...18AWG/0.75mm² (WITHOUT FERRULE)
 - 26AWG/0.14mm²...20AWG/0.50mm² (WITH FERRULE)
 - ALL DIMENSIONS ARE FOR NOMINAL REFERENCE ONLY UNLESS OTHERWISE STATED
 - PACKAGEING: 1PIECE IN A BAG
 - PN INFORMATION

PIN ARRANGEMENT D-CODE		
T411250X02X-000	T411250X03X-000	T411250X04X-000
T411250X05X-000		

T4112502051-000	RPC-M12D-FR-5CON-PG9-MU
T4112501051-000	RPC-M12D-FR-5CON-PG7-MU
T4112502052-000	RPC-M12D-FR-5CON-PG9-M
T4112501052-000	RPC-M12D-FR-5CON-PG7-M
T4112502041-000	RPC-M12D-FR-4CON-PG9-MU
T4112501041-000	RPC-M12D-FR-4CON-PG7-MU
T4112502042-000	RPC-M12D-FR-4CON-PG9-M
T4112501042-000	RPC-M12D-FR-4CON-PG7-M
T4112502031-000	RPC-M12D-FR-3CON-PG9-MU
T4112501031-000	RPC-M12D-FR-3CON-PG7-MU
T4112502032-000	RPC-M12D-FR-3CON-PG9-M
T4112501032-000	RPC-M12D-FR-3CON-PG7-M
T4112502021-000	RPC-M12D-FR-2CON-PG9-MU
T4112501021-000	RPC-M12D-FR-2CON-PG7-MU
T4112502022-000	RPC-M12D-FR-2CON-PG9-M
T4112501022-000	RPC-M12D-FR-2CON-PG7-M
TE PN	TYPE



THIS DRAWING IS A CONTROLLED DOCUMENT.		DWN HAO WANG 08JAN2015	TE Connectivity	
DIMENSIONS: mm		CHK KOBBY ZHAO 08JAN2015		
TOLERANCES UNLESS OTHERWISE SPECIFIED:		APVD XIANG XU 08JAN2015	NAME M12 FEMALE, D CODE, RA UNSHIELDED CONNECTOR SCREW TERMINAL	
0 PLC ±0.2		PRODUCT SPEC 108-106140	SIZE A2	
1 PLC ±0.2		APPLICATION SPEC 114-137144	CAGE CODE -	
2 PLC ±0.2		WEIGHT -	DRAWING NO. C-T411250XXXX000	
3 PLC ±		CUSTOMER DRAWING	RESTRICTED TO	
4 PLC ±		SCALE 2:1	SHEET 1 OF 1	
ANGLES ±			REV B	
FINISH -				